



T&S BRASS AND BRONZE WORKS, INC.

2 Saddleback Cove / P.O. Box 1088
Travelers Rest, SC 29690

Model No.

B-2990-P

Item No.

Travelers Rest, SC: 800-476-4103 • Simi Valley, CA: 800-423-0150 • Fax: 864-834-3518 • www.tsbrass.com

This Space for Architect/Engineer Approval

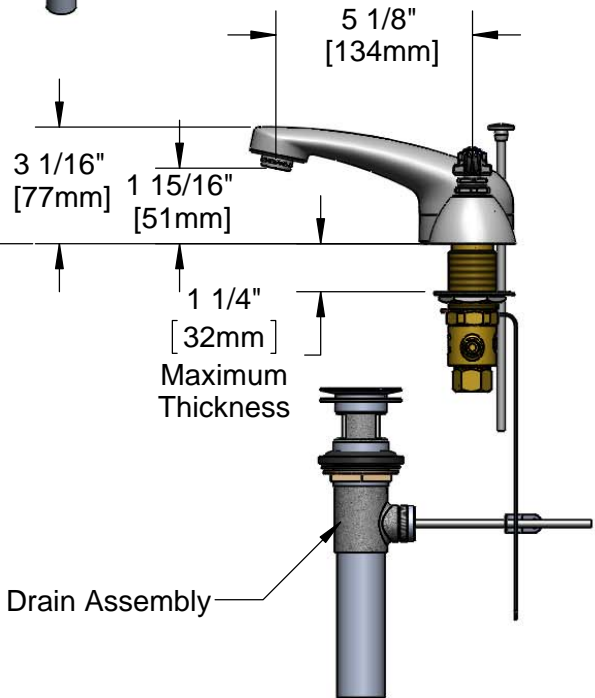
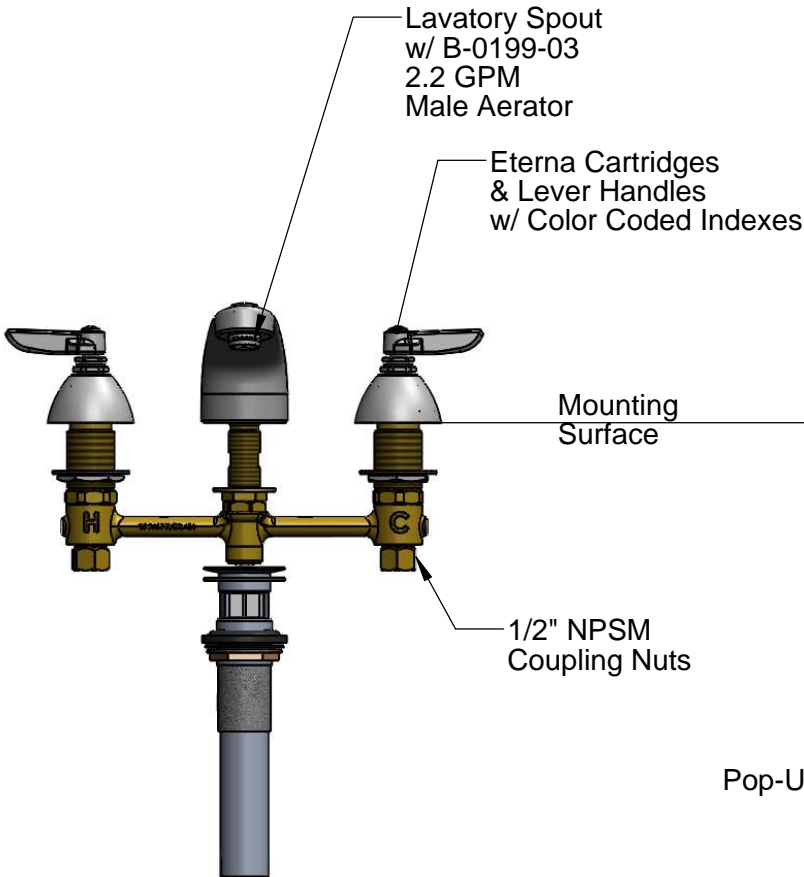
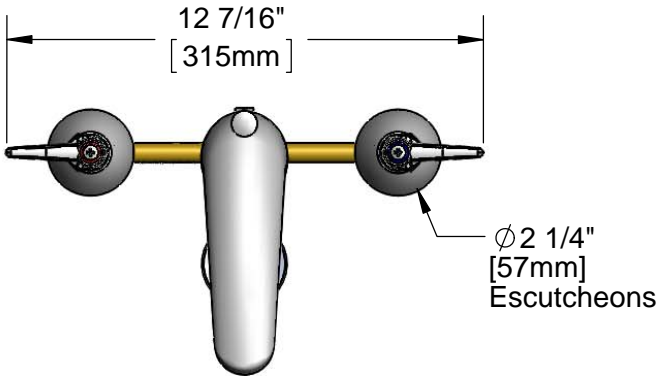
Job Name _____ Date _____

Model Specified _____ Quantity _____

Customer/Wholesaler _____

Contractor _____

Architect/Engineer _____



Rough-In Required:
Center Shank Ø 1" [25mm] Mounting Hole
Hot/Cold Side Ø 1 1/2" [38mm] Mounting Holes

Product Specifications:
8" Concealed Widespread EasyInstall Mixing Faucet, Lever Handles, Eterna Cartridges, Pop-Up Drain, Lavatory Spout w/ 2.2 GPM Aerator and 1/2" NPSM Male Inlets

Product Compliance:
ASME A112.18.1 / CSA B125.1
NSF 61 - Section 9
NSF 372 (Low Lead Content)
ANSI A117.1 (ADA)

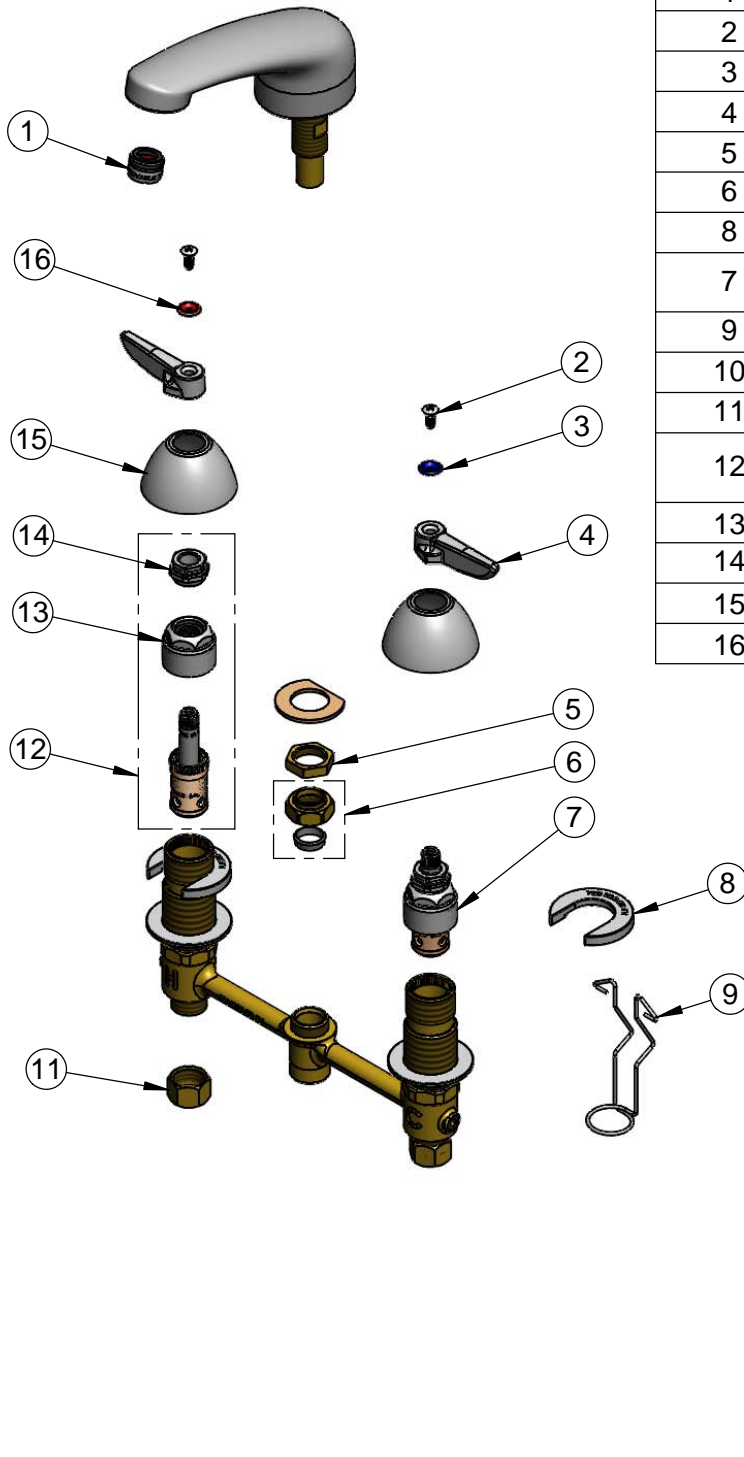


T&S BRASS AND BRONZE WORKS, INC.
 2 Saddleback Cove / P.O. Box 1088
 Travelers Rest, SC 29690

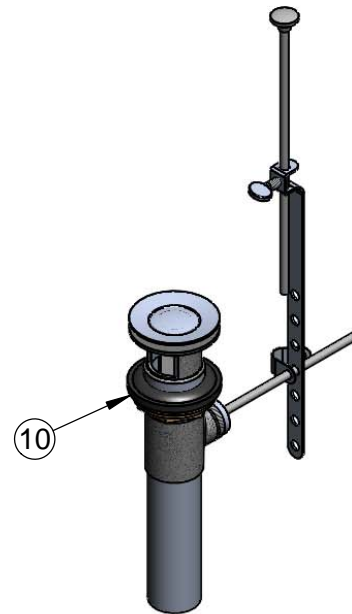
Model No.
B-2990-P

Item No.

Travelers Rest, SC: 800-476-4103 • Simi Valley, CA: 800-423-0150 • Fax: 864-834-3518 • www.tsbrass.com



ITEM NO.	SALES NO.	DESCRIPTION
1	B-0199-03	2.2 GPM Aerator
2	000922-45	Lever Handle Screw
3	001660-45	Blue Index-CW
4	001638-45	Lever Handle
5	002954-45	Shank Lock Nut
6	016745-45	Compression Nut & Fitting
8	016749-45	Sidebody C-Washer
7	016752-40	EasyInstall CWS LTC Eterna (Teflon)
9	016777-45	CWS Hanger
10	B-0898	Pop-Up Drain
11	000958-20	Coupling Nut
12	016753-40	EasyInstall CWS RTC Eterna (Teflon)
13	016743-25	CWS Bonnet
14	009002-25	Packing Nut
15	001257-40	Bell Escutcheon
16	001661-45	Red Index-HW



Product Specifications:
 8" Concealed Widespread EasyInstall Mixing Faucet, Lever Handles, Eterna Cartridges, Pop-Up Drain, Lavatory Spout w/ 2.2 GPM Aerator and 1/2" NPSM Male Inlets

Product Compliance:
 ASME A112.18.1 / CSA B125.1
 NSF 61 - Section 9
 NSF 372 (Low Lead Content)
 ANSI A117.1 (ADA)