



T&S BRASS AND BRONZE WORKS, INC.

2 SADDLEBACK COVE / P.O. BOX 1088 / TRAVELERS REST, SC 29690

PHONE 800-476-4103

FAX 864-834-3518



REG.#A2601
ISO #9002

Model No.

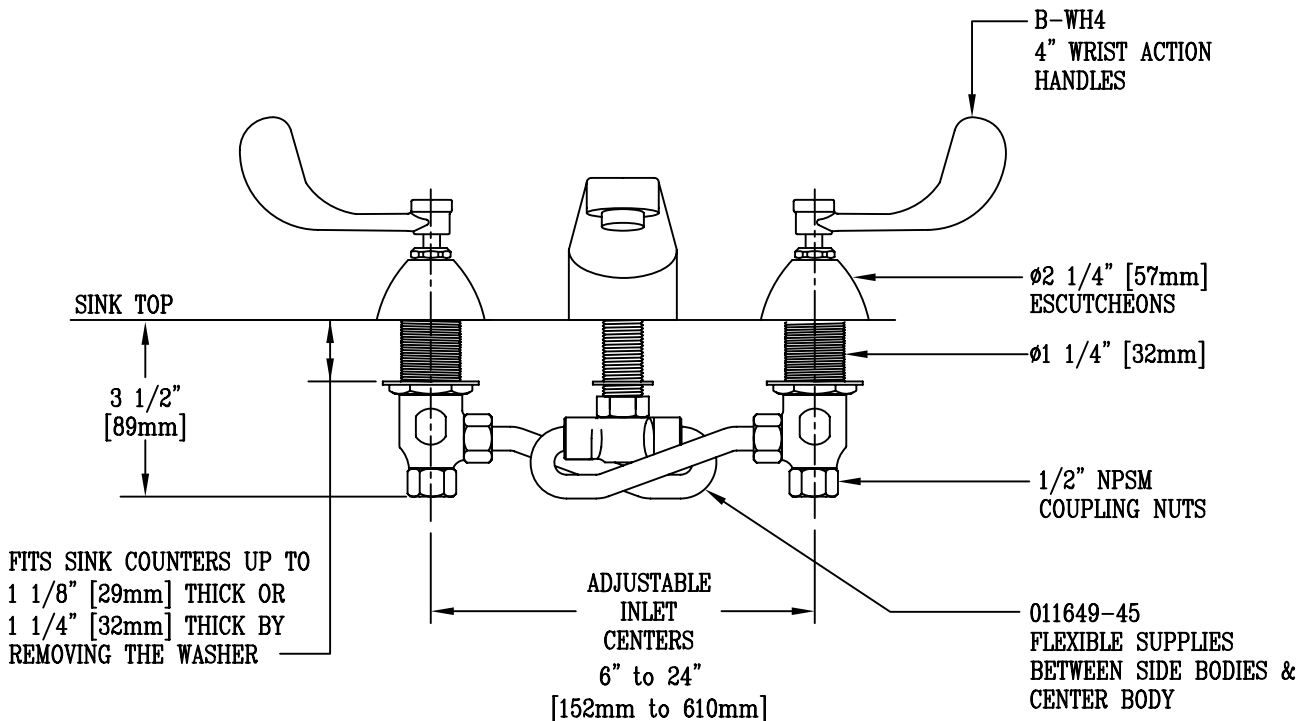
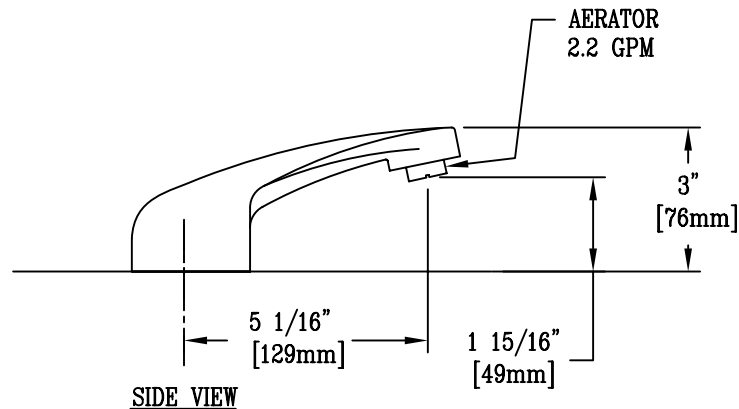
B-2990-FLWH4

Item No.:

Job Name:

Architect/Engineer Approval:

Notes:



NOTE: ROUGH-IN REQUIREMENTS
 CENTER SHANK: $\phi 1"$ [$\phi 25\text{mm}$] HOLE
 HOT/COLD BODIES: $\phi 1 1/2"$ [$\phi 38\text{mm}$] HOLE
 ($\phi 1 1/4"$ [$\phi 32\text{mm}$] MINIMUM)

Product Description:
 DECK MOUNTED COMMERCIAL MIXING FCT.
 w/ FLEXIBLE SUPPLIES, 5" CAST SPOUT,
 4" WRIST ACTION HANDLES & AERATOR OUTLET

Drawn:

KJG

Checked

GEF

Scale:

1 : 4

Approved

JHB

Date:

04/23/10