



T&S BRASS AND BRONZE WORKS, INC.

2 Saddleback Cove / P.O. Box 1088
Travelers Rest, SC 29690

Model No.

B-2990-F12

Item No.

Travelers Rest, SC: 800-476-4103 • Simi Valley, CA: 800-423-0150 • Fax: 864-834-3518 • www.tsbrass.com



ADA Compliant

This Space for Architect/Engineer Approval

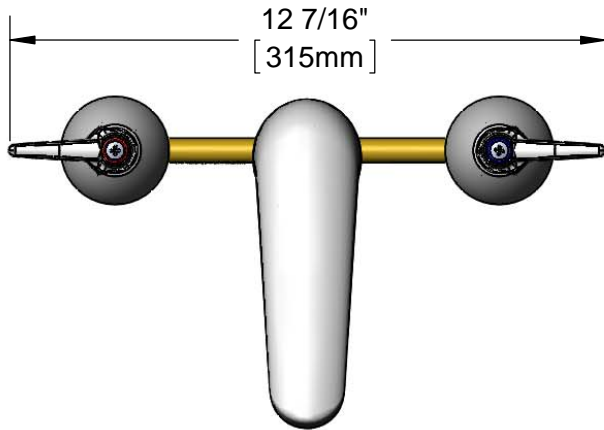
Job Name _____ Date _____

Model Specified _____ Quantity _____

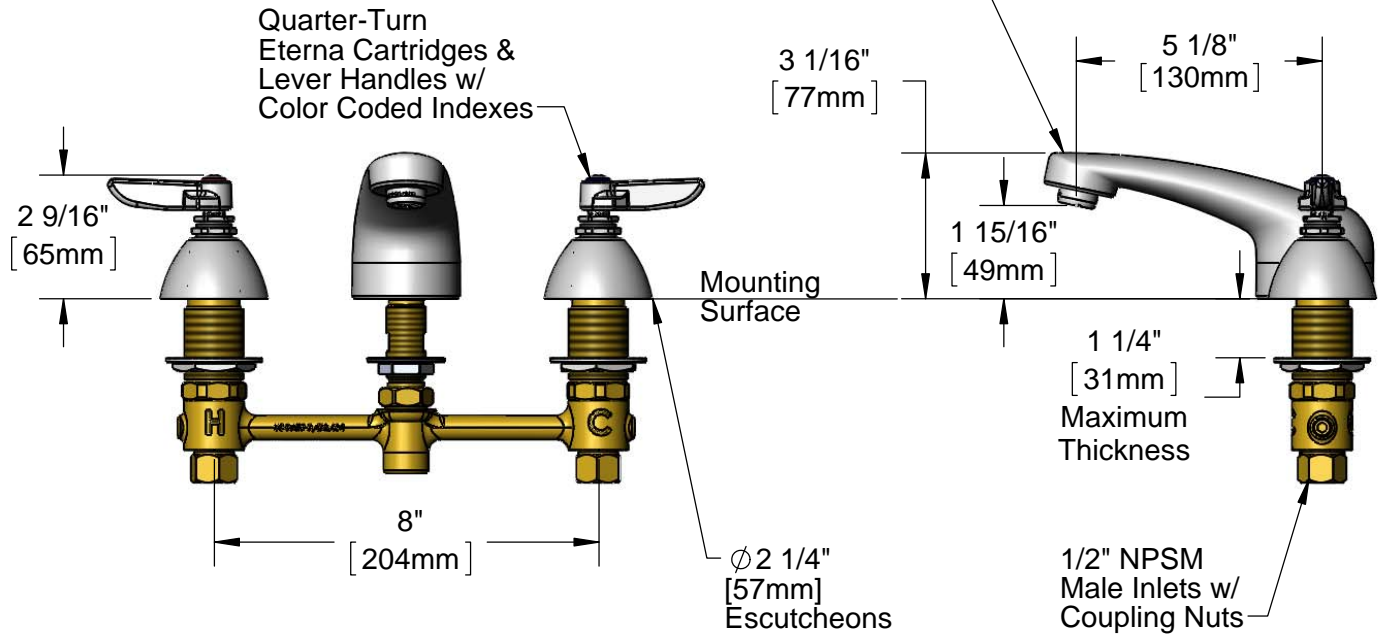
Customer/Wholesaler _____

Contractor _____

Architect/Engineer _____



Lavatory Spout w/
B-0199-03-F12
1.2 GPM Aerator



Rough-In Requirement:

Center Shank: ϕ 1" [25mm] Mounting Hole

Hot/Cold Side: ϕ 1 1/2" [38mm] Mounting Holes

Product Specifications:

8" Deck Mount EasyInstall Lavatory Faucet, Quarter-Turn Eterna Cartridges, Lever Handles, Lavatory Spout, 1.2 GPM Aerator & 1/2" NPSM Male Inlets

Product Compliance:

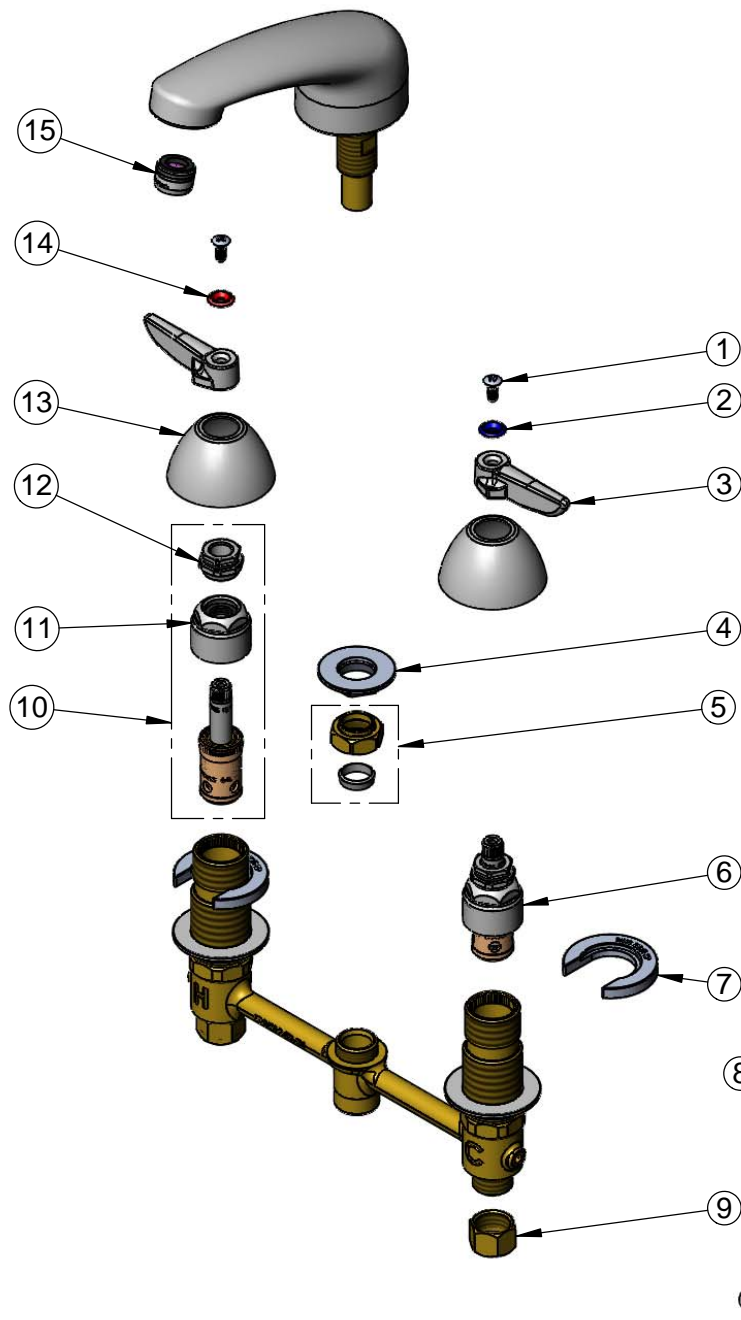
ASME A112.18.1 / CSA B125.1
NSF 61 - Section 9
NSF 372 (Low Lead Content)
ANSI A117.1 (ADA)
EPA WaterSense



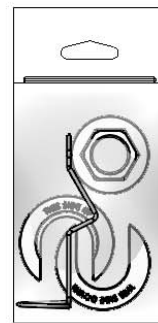
T&S BRASS AND BRONZE WORKS, INC.
 2 Saddleback Cove / P.O. Box 1088
 Travelers Rest, SC 29690

Model No.
B-2990-F12
 Item No.

Travelers Rest, SC: 800-476-4103 • Simi Valley, CA: 800-423-0150 • Fax: 864-834-3518 • www.tsbrass.com



ITEM NO.	SALES NO.	DESCRIPTION
1	000922-45	Lever Handle Screw
2	001660-45	Blue Index-CW
3	001638-45	Lever Handle
4	016742-45	Center Flange Nut
5	016745-45	Compression Nut & Fitting
6	016925-40	Quarter-Turn EasyInstall CWS LTC Eterna (Teflon)
7	016749-45	Sidebody C-Washer
8	016777-45	CWS Hanger
9	000958-20	Coupling Nut
10	016926-40	Quarter-Turn EasyInstall CWS RTC Eterna (Teflon)
11	016743-25	CWS Eterna Bonnet
12	009002-25	Packing Nut
13	001257-40	Bell Escutcheon
14	001661-45	Red Index-HW
15	B-0199-03-F12	1.2 GPM Aerator



017245-40
 Installation Repair Kit
 Includes #4, (2)#7, & #8

Product Specifications:

8" Deck Mount EasyInstall Lavatory Faucet, Quarter-Turn Eterna Cartridges, Lever Handles, Lavatory Spout, 1.2 GPM Aerator & 1/2" NPSM Male Inlets

Product Compliance:

ASME A112.18.1 / CSA B125.1
 NSF 61 - Section 9
 NSF 372 (Low Lead Content)
 ANSI A117.1 (ADA)
 EPA WaterSense