



T&S BRASS AND BRONZE WORKS, INC.

2 Saddleback Cove / P.O. Box 1088
Travelers Rest, SC 29690

Model No.

B-2990-F05

Item No.

Travelers Rest, SC: 800-476-4103 • Simi Valley, CA: 800-423-0150 • Fax: 864-834-3518 • www.tsbrass.com

This Space for Architect/Engineer Approval

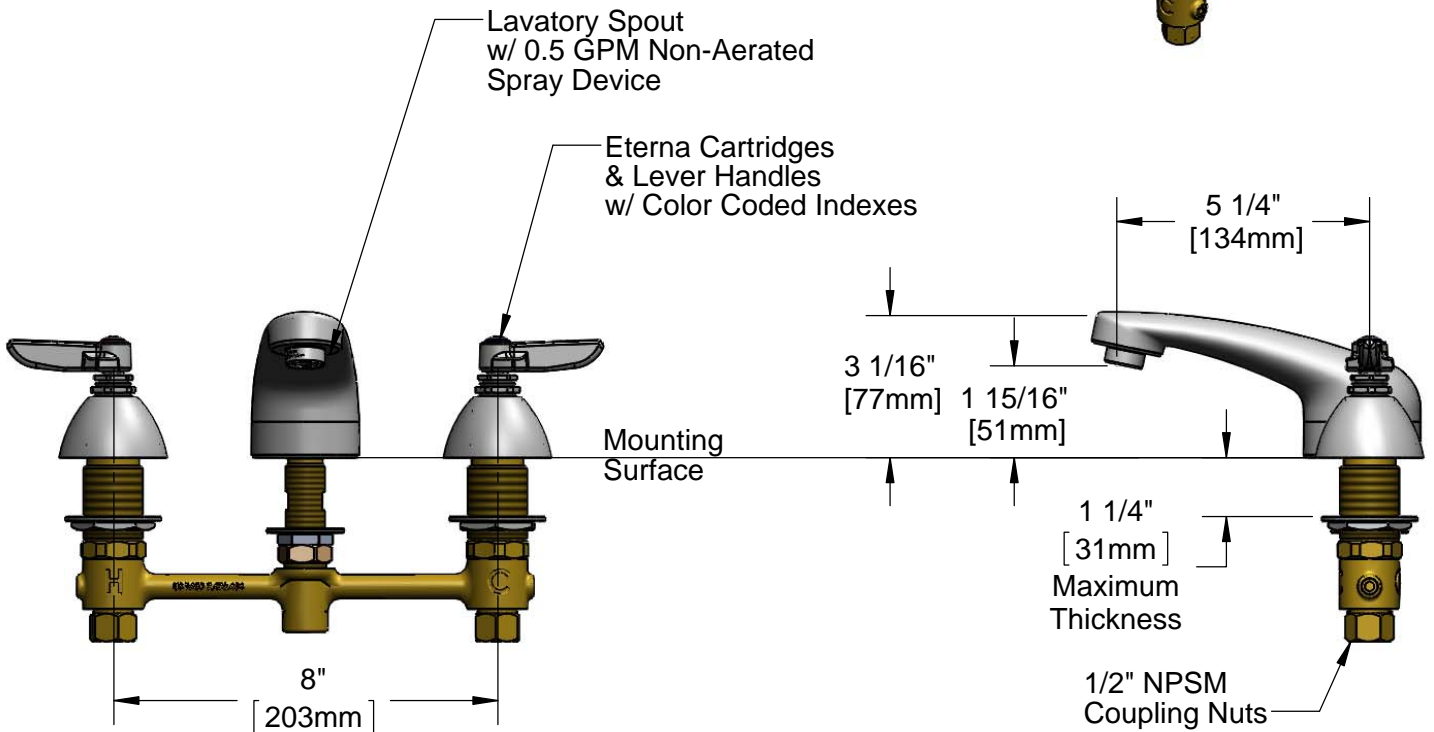
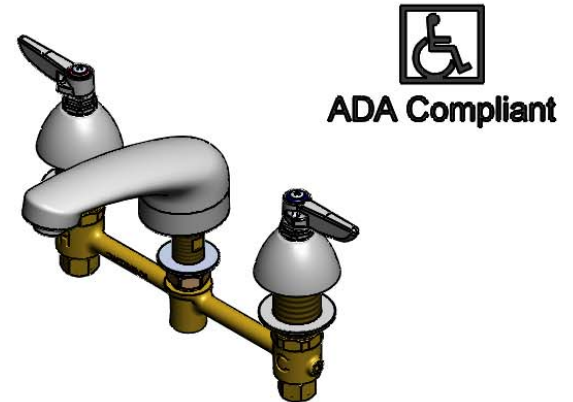
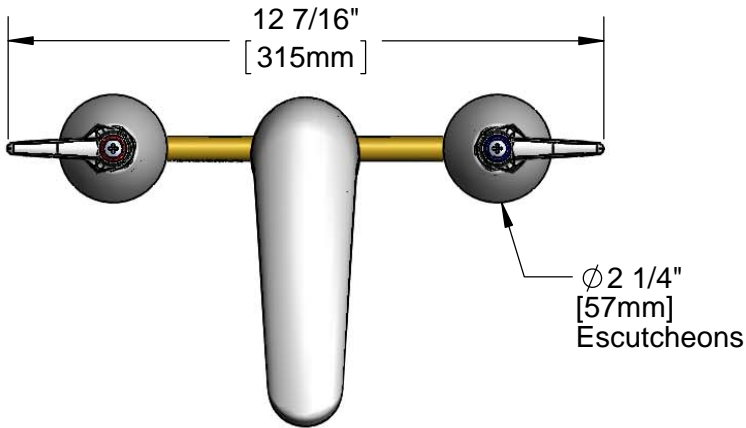
Job Name _____ Date _____

Model Specified _____ Quantity _____

Customer/Wholesaler _____

Contractor _____

Architect/Engineer _____



Rough-In Requirement:
Center Shank ϕ 1" [25mm] Mounting Hole
Hot/Cold Side ϕ 1 1/2" [38mm] Mounting Holes

Product Specifications:
8" Concealed Widespread EasyInstall Mixing Faucet w/ Lever Handles, Compression Cartridges, Lavatory Spout w/ 0.5 GPM Non-Aerated Spray Device and 1/2" NPSM Male Inlets

Product Compliance:
ASME A112.18.1 / CSA B125.1
NSF 61 - Section 9
NSF 372 (Low Lead Content)
ANSI A117.1 (ADA)



T&S BRASS AND BRONZE WORKS, INC.

2 Saddleback Cove / P.O. Box 1088
Travelers Rest, SC 29690

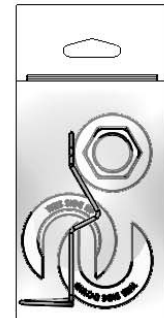
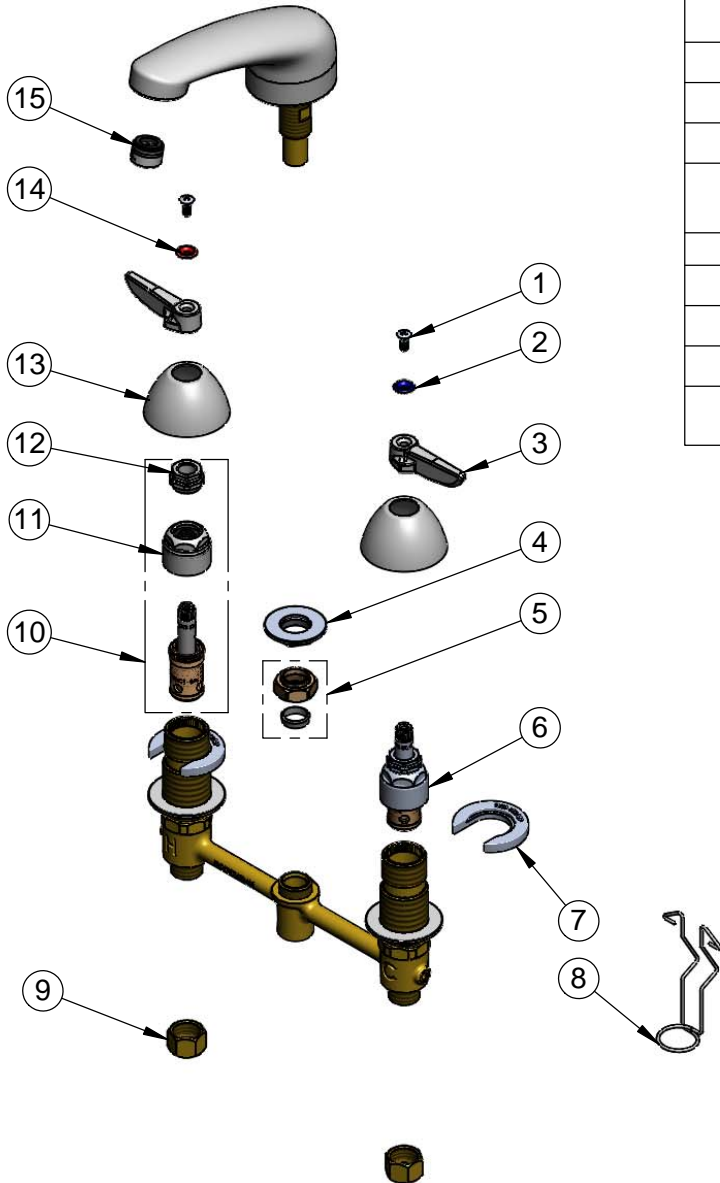
Model No.

B-2990-F05

Item No.

Travelers Rest, SC: 800-476-4103 • Simi Valley, CA: 800-423-0150 • Fax: 864-834-3518 • www.tsbrass.com

ITEM NO.	SALES NO.	DESCRIPTION
1	000922-45	Lever Handle Screw
2	001660-45	Blue Index-CW
3	001638-45	Lever Handle
4	016742-45	Center Flange Nut
5	016745-45	Compression Nut & Fitting
6	016752-40	EasyInstall CWS LTC Eterna (Teflon)
7	016749-45	Sidebody C-Washer
8	016777-45	CWS Hanger
9	000958-20	Coupling Nut
10	016753-40	EasyInstall CWS RTC Eterna (Teflon)
11	016743-25	CWS Bonnet
12	009002-25	Packing Nut
13	001257-40	Bell Escutcheon
14	001661-45	Red Index-HW
15	B-0199-03-N05	0.5 GPM Spray Device, 13/16-27 Male



017245-40
Installation Repair Kit
Includes #4, (2)#7, & #8

Product Specifications:

8" Concealed Widespread EasyInstall Mixing Faucet w/ Lever Handles, CompressionCartridges, Lavatory Spout w/ 0.5 GPM Non-Aerated Spray Device and 1/2" NPSM Male Inlets

Product Compliance:

ASME A112.18.1 / CSA B125.1
NSF 61 - Section 9
NSF 372 (Low Lead Content)
ANSI A117.1 (ADA)