



# T&S BRASS AND BRONZE WORKS, INC.

2 Saddleback Cove / P.O. Box 1088  
Travelers Rest, SC 29690

Model No.  
**B-2990-CW-VR22**

Item No.

Travelers Rest, SC: 800-476-4103 • Simi Valley, CA: 800-423-0150 • Fax: 864-834-3518 • www.tsbrass.com



**ADA Compliant**

This Space for Architect/Engineer Approval

Job Name \_\_\_\_\_ Date \_\_\_\_\_

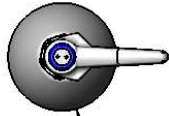
Model Specified \_\_\_\_\_ Quantity \_\_\_\_\_

Customer/Wholesaler \_\_\_\_\_

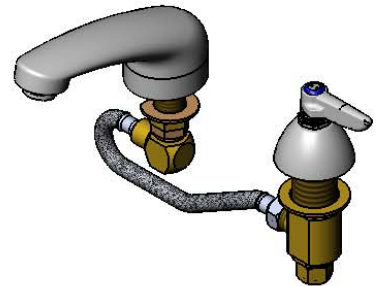
Contractor \_\_\_\_\_

Architect/Engineer \_\_\_\_\_

2 1/4"  
[57mm]



Ø2 1/4"  
[57mm]  
Escutcheon



Lavatory Spout w/  
2.2 GPM VR Aerator

12" Stainless Steel  
Supply Hose

Quarter-Turn Eterna  
Cartridge & Lever Handle  
w/ Color Coded Index &  
VR Screw

Mounting Surface

5 1/8"  
[130mm]

3 1/16"  
[77mm]

1 15/16"  
[50mm]

1 1/4"  
[32mm]  
Maximum  
Thickness

4"  
[102mm]

1/2" NPSM  
Male Inlet w/  
Coupling Nut

Adjustable  
Inlet Center  
6" to 12"  
[152mm to 305mm]

### Rough-In Requirement:

Center Shank: Ø1" [25mm] Mounting Hole

Cold Side Body: Ø1 1/2" [38mm] Mounting Hole

### Product Specifications:

Deck Mount Commercial Faucet, Quarter-Turn Eterna Cartridge, Lever Handle, Lavatory Spout w/ 2.2 GPM VR Aerator, VR Screw, 12" Flexible Connection Hose, 1/2" NPSM Male Inlet w/ Coupling Nut

### Product Compliance:

ASME A112.18.1 / CSA B125.1  
NSF 61 - Section 9  
NSF 372 (Low Lead Content)  
ANSI A117.1 (ADA)



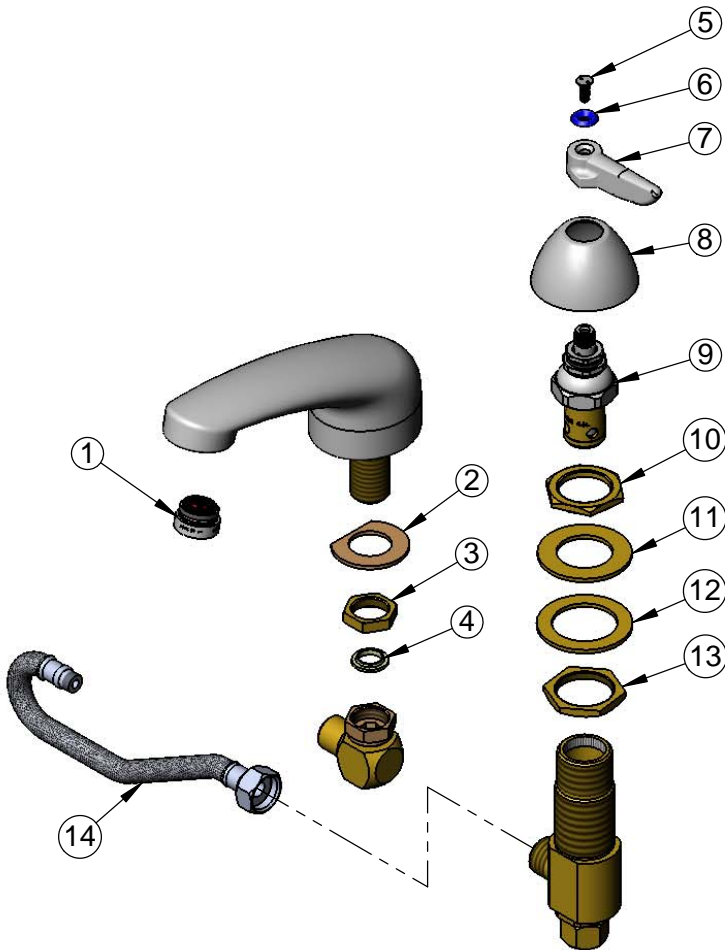
**T&S BRASS AND BRONZE WORKS, INC.**  
 2 Saddleback Cove / P.O. Box 1088  
 Travelers Rest, SC 29690


Model No.  
**B-2990-CW-VR22**

Item No.

Travelers Rest, SC: 800-476-4103 • Simi Valley, CA: 800-423-0150 • Fax: 864-834-3518 • www.tsbrass.com

ITEM NO.	SALES NO.	DESCRIPTION
1	B-0199-08	VR 2.2 GPM Aerator, 13/16-27 UN Male w/ Key
2	012596-45BW	Shank Washer, Brass
3	002954-45	Shank Lock Nut
4	012702-45	Washer, Cross Body
5	VRS-1	VR Lever Handle Screw (2) w/ Spanner Bit
6	001660-45	Blue Index-CW
7	001638-45	Lever Handle
8	001257-40	Bell Escutcheon
9	006477-40QT	Quarter-Turn Eterna Cartridge, LTC (Teflon) w/ Escutcheon Bonnet
10	000959-20	Side Body Top Lock Nut
11	002290-45	Lock Washer
12	001006-45	Washer
13	000960-20	Side Body Bottom Lock Nut
14	011649-45	12" Flexible Supply Hose



  
 014075-45  
 Spanner Bit  
 (Included)

**Product Specifications:**

Deck Mount Commercial Faucet, Quarter-Turn Eterna Cartridge, Lever Handle, Lavatory Spout w/ 2.2 GPM VR Aerator, VR Screw, 12" Flexible Connection Hose, 1/2" NPSM Male Inlet w/ Coupling Nut

**Product Compliance:**

ASME A112.18.1 / CSA B125.1  
 NSF 61 - Section 9  
 NSF 372 (Low Lead Content)  
 ANSI A117.1 (ADA)