



# T&S BRASS AND BRONZE WORKS, INC.

2 Saddleback Cove / P.O. Box 1088  
Travelers Rest, SC 29690



REG. #A2601  
ISO #9001

Model No.

**B-2990-180F**

Item No.

Travelers Rest, SC: 800-476-4103 Simi Valley, CA: 800-423-0150 Fax: 864-834-3518 www.tsbrass.com

This Space for Architect/Engineer Approval

Job Name \_\_\_\_\_ Date \_\_\_\_\_

Model Specified \_\_\_\_\_ Quantity \_\_\_\_\_

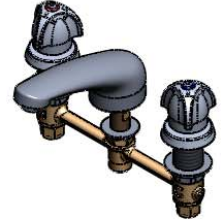
Customer/Wholesaler \_\_\_\_\_

Contractor \_\_\_\_\_

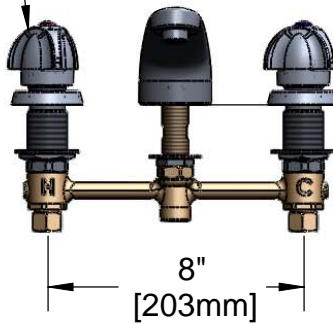
Architect/Engineer \_\_\_\_\_



**ADA Compliant**



3-Wing Handles  
w/ Color Coded Indexes



8" [203mm]  
Ø 2-1/4" [57mm]  
Escutcheons

Lavatory Spout  
w/ 2.2 GPM Aerator

2" [50mm]

5 1/4" [134mm]

Mounting  
Surface

3 1/16" [77mm]

Fits Sinks  
Up To  
1-1/4" Thick  
[32mm]

1/2" NPSM  
Coupling Nuts

Note: Rough-In Required:

Ø 1" [25mm] for Center Shank

Ø 1-1/2" [38mm] for Hot/Cold Side [1-1/4" [32mm] Minimum]

Product Specifications:

**EasyInstall Faucet w/3-Wing Handles,  
2 'Hot' Compression Cartridges, 8" Inlet Centers,  
Lavatory Spout w/ 2.2 GPM Aerator**

Drawn  
**JRM**

Checked  
**GEF**

Approved  
**JHB**

Scale:

**NTS**

Date:

**12/08/08**



**T&S BRASS AND BRONZE WORKS, INC.**

2 Saddleback Cove / P.O. Box 1088  
Travelers Rest, SC 29690



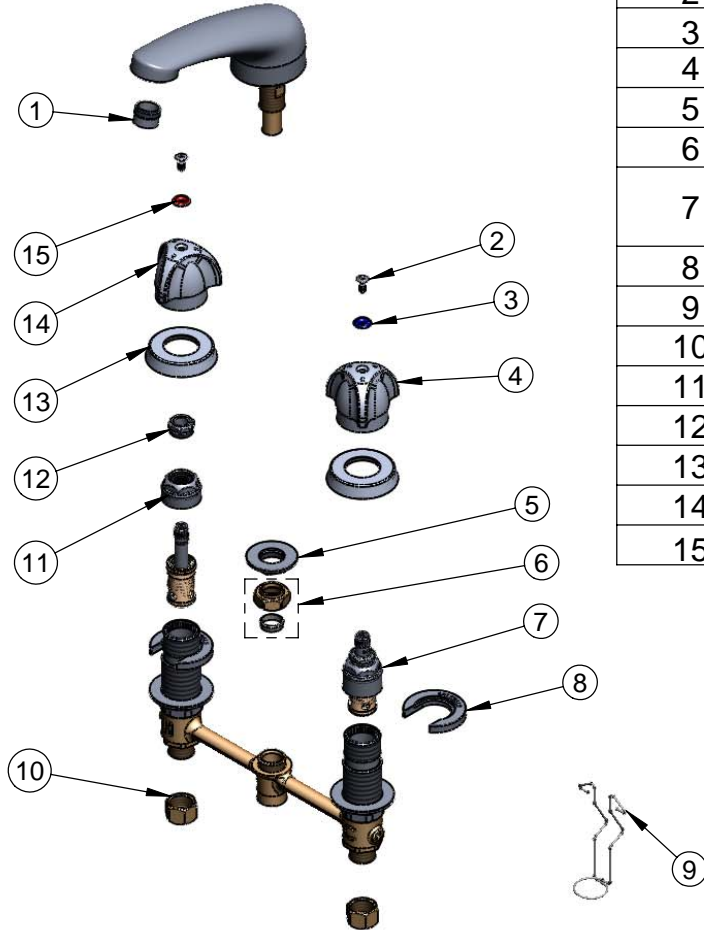
REG. #A2601  
ISO #9001

Model No.

**B-2990-180F**

Item No.

Travelers Rest, SC: 800-476-4103 Simi Valley, CA: 800-423-0150 Fax: 864-834-3518 www.tsbrass.com



ITEM NO.	SALES NO.	DESCRIPTION
1	B-0199-03	2.2 GPM Aerator
2	000922-45	Lever Handle Screw
3	001660-45	Blue Index-CW
4	001784-40	Lav. Handle, 3 Wing - Cold
5	016742-45	Center Flange Nut
6	016745-45	Compression Nut & Fitting
7	017327-40	CWS EasyInstall RTC Eterna (Teflon) -Short Bonnet
8	016749-45	Sidebody C-Washer
9	016777-45	CWS Hanger
10	000958-20	Coupling Nut
11	016743-25	CWS Bonnet Assembly
12	009002-25	Packing Nut Assembly
13	017292-45	Metering CWS Escutcheon
14	001783-40	Lav. Handle, 3 Wing - Hot
15	001661-45	Red Index-HW



017245-40  
Installation Repair Kit  
Includes #5, (2)#8, & #9

Product Specifications:

EasyInstall Faucet w/3-Wing Handles,  
2 'Hot' Compression Cartridges, 8" Inlet Centers,  
Lavatory Spout w/ 2.2 GPM Aerator

Drawn <b>JRM</b>	Checked <b>GEF</b>	Approved <b>JHB</b>
Scale: <b>NTS</b>		Date: <b>12/08/08</b>