



T&S BRASS AND BRONZE WORKS, INC.

2 Saddleback Cove / P.O. Box 1088
Travelers Rest, SC 29690

Model No.

B-2990-175F

Item No.

Travelers Rest, SC: 800-476-4103 • Simi Valley, CA: 800-423-0150 • Fax: 864-834-3518 • www.tsbrass.com

This Space for Architect/Engineer Approval

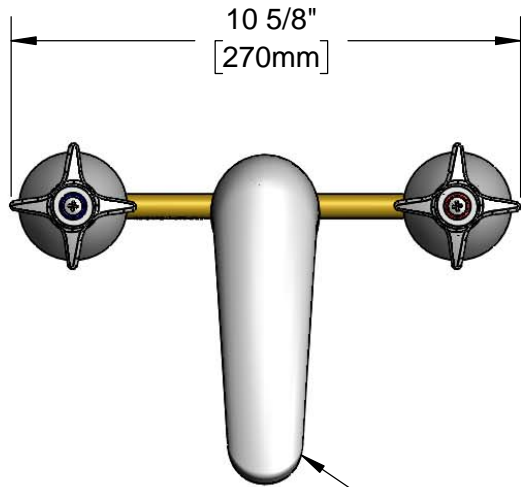
Job Name _____ Date _____

Model Specified _____ Quantity _____

Customer/Wholesaler _____

Contractor _____

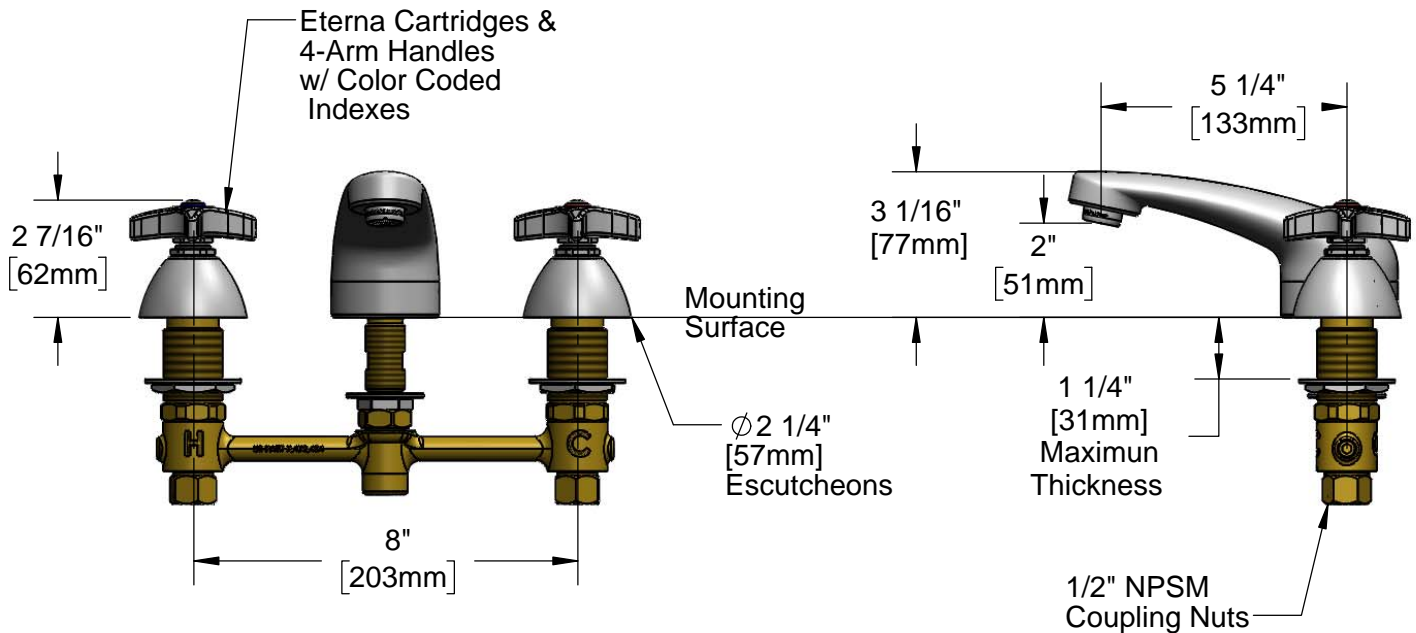
Architect/Engineer _____



Lavatory Spout
w/ B-0199-03
2.2 Aerator



ADA Compliant



Rough-In Required:

Ø 1" [25mm] for Center Shank

Ø 1 1/2" [38mm] for Hot/Cold Side

Product Specifications:

EasyInstall 8" Concealed Widespread Mixing Faucet, 4-Arm Handles, (2) "HOT" Eterna Cartridges & Lavatory Spout w/ 2.2 GPM Aerator

Product Compliance:

ASME A112.18.1 / CSA B125.1
NSF 61 - Section 9
NSF 372 (Low Lead Content)
ANSI A117.1 (ADA)



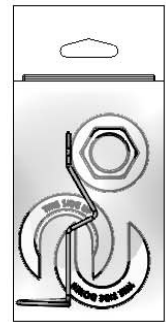
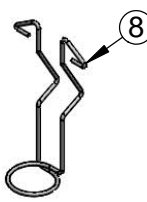
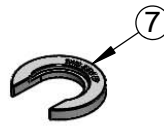
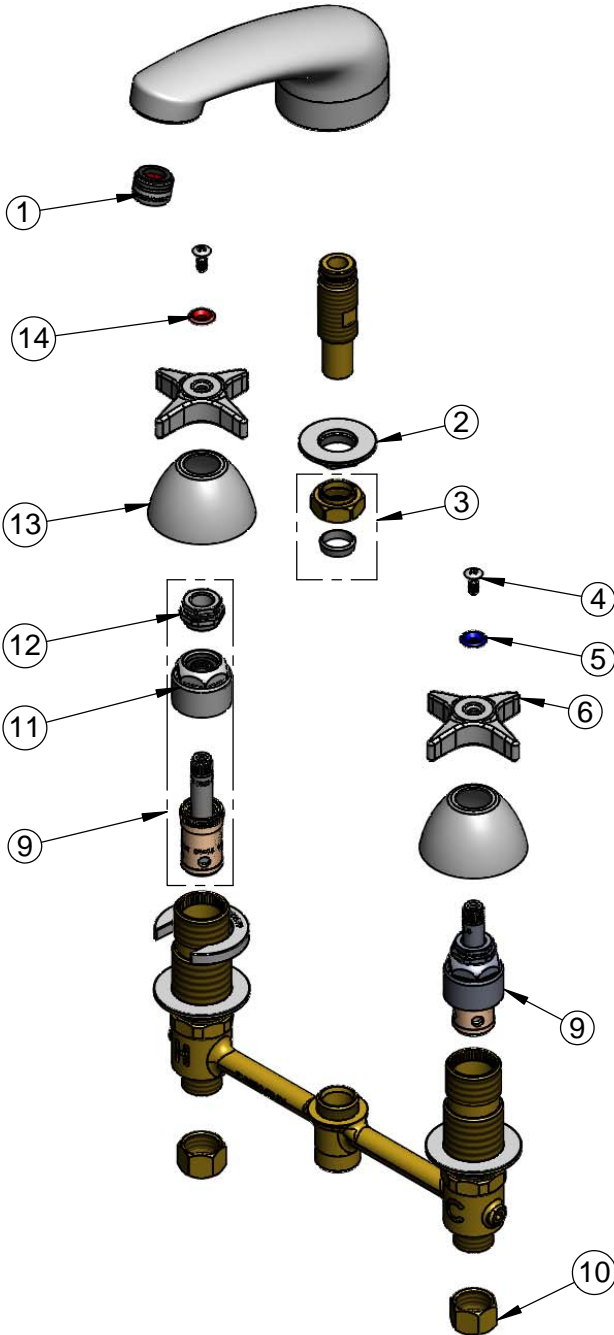
T&S BRASS AND BRONZE WORKS, INC.
 2 Saddleback Cove / P.O. Box 1088
 Travelers Rest, SC 29690

Model No.
B-2990-175F

Item No.

Travelers Rest, SC: 800-476-4103 • Simi Valley, CA: 800-423-0150 • Fax: 864-834-3518 • www.tsbrass.com

ITEM NO.	SALES NO.	DESCRIPTION
1	B-0199-03	2.2 GPM Aerator
2	016742-45	Center Flange Nut
3	016745-45	Compression Nut & Fitting
4	000922-45	Lever Handle Screw
5	001660-45	Blue Index-CW
6	002521-45	4-Arm Handle
7	016749-45	Sidebody C-Washer
8	016777-45	CWS Hanger
9	016753-40	EasyInstall CWS RTC Eterna (Teflon)
10	000958-20	Coupling Nut
11	016743-25	CWS Eterna Bonnet
12	009002-25	Packing Nut
13	001257-40	Bell Escutcheon
14	001661-45	Red Index-HW



017245-40
 Installation Repair Kit
 Includes #2, (2)#7, & #8

Product Specifications:
 EasyInstall 8" Concealed Widespread Mixing Faucet, 4-Arm Handles, (2) "HOT" Eterna Cartridges & Lavatory Spout w/ 2.2 GPM Aerator

Product Compliance:
 ASME A112.18.1 / CSA B125.1
 NSF 61 - Section 9
 NSF 372 (Low Lead Content)
 ANSI A117.1 (ADA)