



T&S BRASS AND BRONZE WORKS, INC.
 2 Saddleback Cove / P.O. Box 1088
 Travelers Rest, SC 29690

Model No.
B-2970

Item No.

Travelers Rest, SC: 800-476-4103 • Simi Valley, CA: 800-423-0150 • Fax: 864-834-3518 • www.tsbrass.com



ADA Compliant

This Space for Architect/Engineer Approval

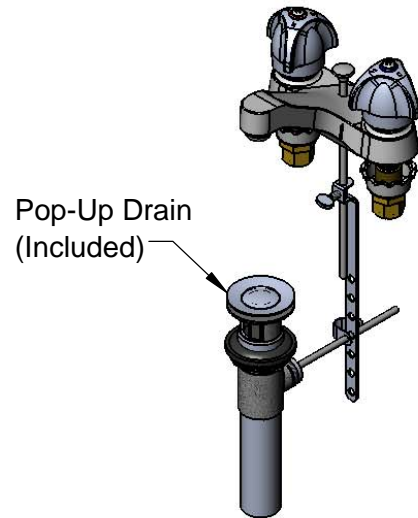
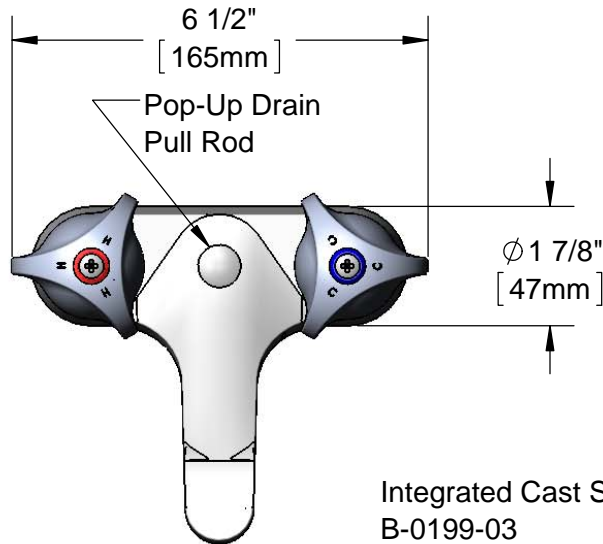
Job Name _____ Date _____

Model Specified _____ Quantity _____

Customer/Wholesaler _____

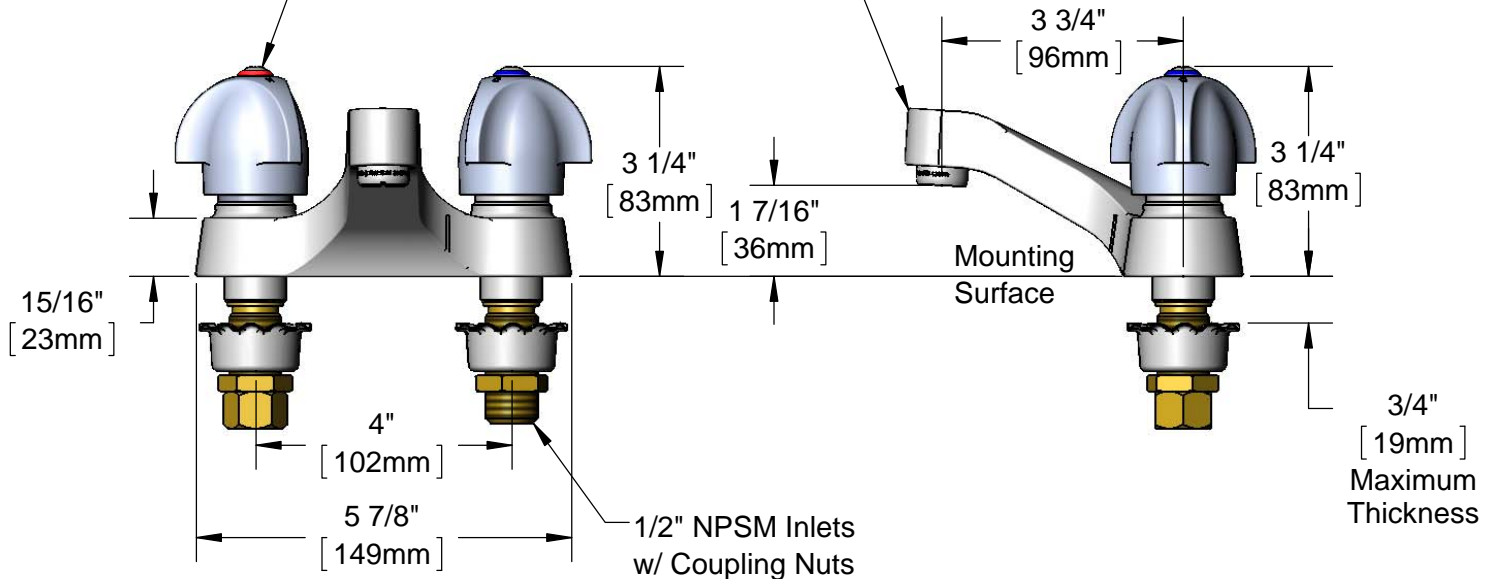
Contractor _____

Architect/Engineer _____



Integrated Cast Spout w/
B-0199-03
2.2 GPM Aerator

Eterna Cartridges &
3 Wing Faucet Handles
w/ Color Coded Indexes



Rough-In Requirement:
 (2) ϕ 1" [25mm] Mounting Holes

Product Specifications:
 4" Centerset Mixing Faucet, Eterna Cartridges, Cast Spout, 2.2 GPM Aerator,
 3-Wing Handles, Pop Up Drain w/ Pull Rod & 1/2" NPSM Male Inlets

Product Compliance:
 ASME A112.18.1 / CSA B125.1
 NSF 61 - Section 9
 NSF 372 (Low Lead Content)
 ANSI A117.1 (ADA)

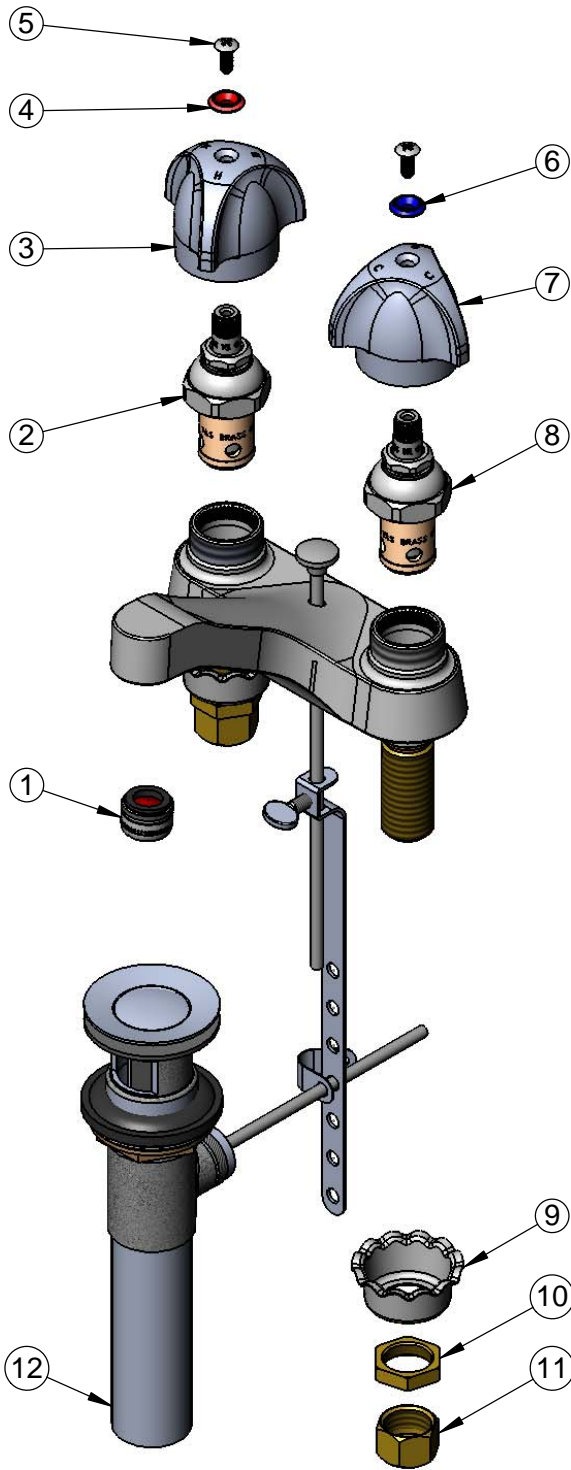


T&S BRASS AND BRONZE WORKS, INC.
 2 Saddleback Cove / P.O. Box 1088
 Travelers Rest, SC 29690

Model No.
B-2970

Item No.

Travelers Rest, SC: 800-476-4103 • Simi Valley, CA: 800-423-0150 • Fax: 864-834-3518 • www.tsbrass.com



| ITEM NO. | SALES NO. | DESCRIPTION |
|----------|-----------|----------------------------|
| 1 | B-0199-03 | 2.2 GPM Aerator |
| 2 | 005960-40 | Eterna Cartridge, RTC |
| 3 | 001783-40 | Lav. Handle, 3 Wing - Hot |
| 4 | 001661-45 | Red Index-HW |
| 5 | 000922-45 | Lever Handle Screw |
| 6 | 001660-45 | Blue Index-CW |
| 7 | 001784-40 | Lav. Handle, 3 Wing - Cold |
| 8 | 005959-40 | Eterna Cartridge, LTC |
| 9 | 001000-45 | Rosette Washer |
| 10 | 002954-45 | Shank Lock Nut |
| 11 | 000958-20 | Coupling Nut |
| 12 | B-0898 | Pop-Up Drain w/ Pull Rod |

Product Specifications:
 4" Centerset Mixing Faucet, Eterna Cartridges, Cast Spout, 2.2 GPM Aerator,
 3-Wing Handles, Pop Up Drain w/ Pull Rod & 1/2" NPSM Male Inlets

Product Compliance:
 ASME A112.18.1 / CSA B125.1
 NSF 61 - Section 9
 NSF 372 (Low Lead Content)
 ANSI A117.1 (ADA)