



T&S BRASS AND BRONZE WORKS, INC.

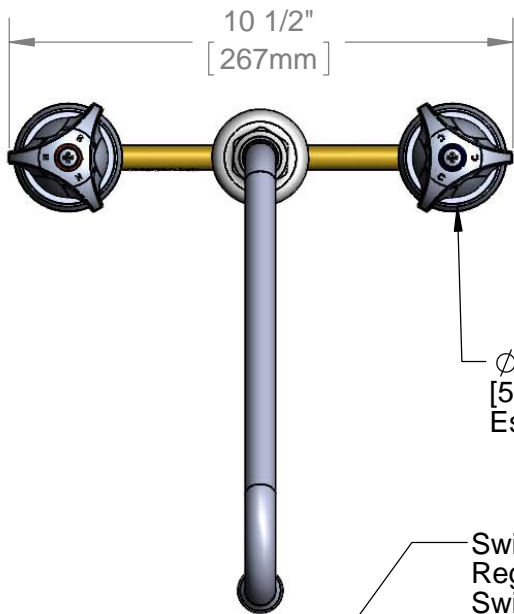
2 Saddleback Cove / P.O. Box 1088
Travelers Rest, SC 29690

Model No.

B-2955

Item No.

Travelers Rest, SC: 800-476-4103 • Simi Valley, CA: 800-423-0150 • Fax: 864-834-3518 • www.tsbrass.com



ADA Compliant

This Space for Architect/Engineer Approval

Job Name _____ Date _____

Model Specified _____ Quantity _____

Customer/Wholesaler _____

Contractor _____

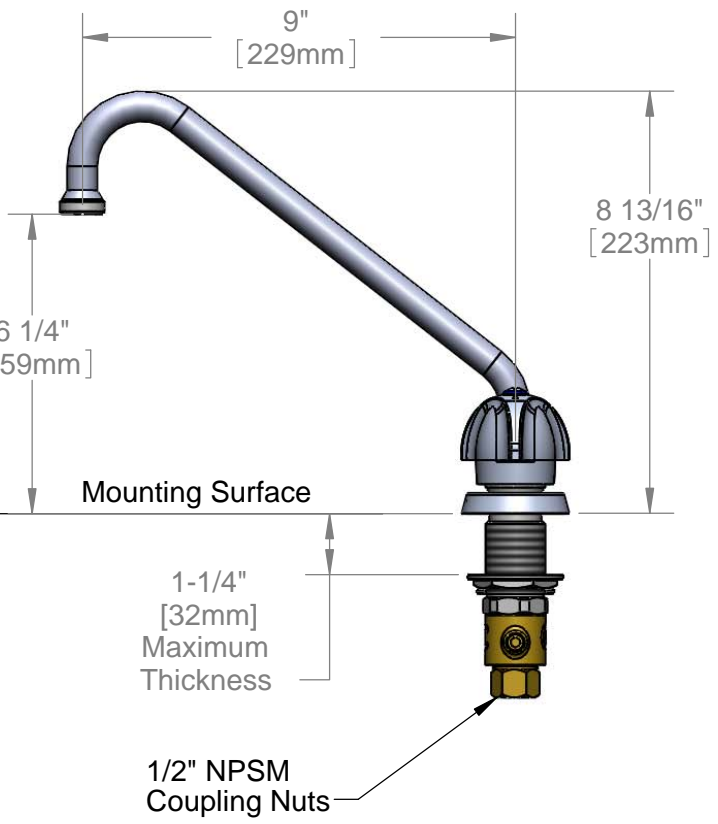
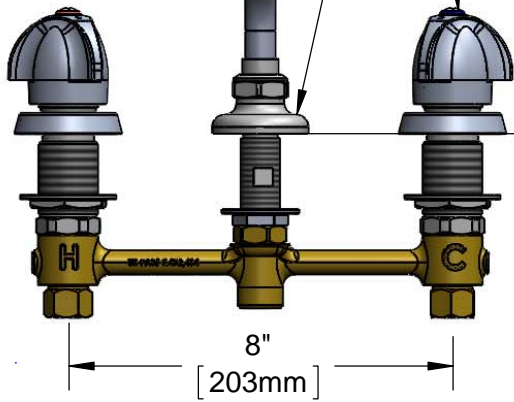
Architect/Engineer _____

Ø 2-1/4" [57mm]
Escutcheons

Swing Nozzle w/ Stream
Regulator Outlet (Optional
Swivel-Rigid Washer Included)

Ø 2" [51mm]
Swivel Deck
Flange

Eterna Cartridges
& 3-Wing Handles
w/ Color Coded
Indexes



Rough-In Requirement:
Center Shank: Ø 1" [25mm] Mounting Hole
Hot/Cold Side: Ø 1 1/2" [38mm] Mounting Holes

Product Specifications:
8" Deck Mount EasyInstall Faucet, Eterna Cartridges, 3-Wing Handles,
9" Swing Nozzle w/ Stream Regulator Outlet & 1/2" NPSM Male Inlets

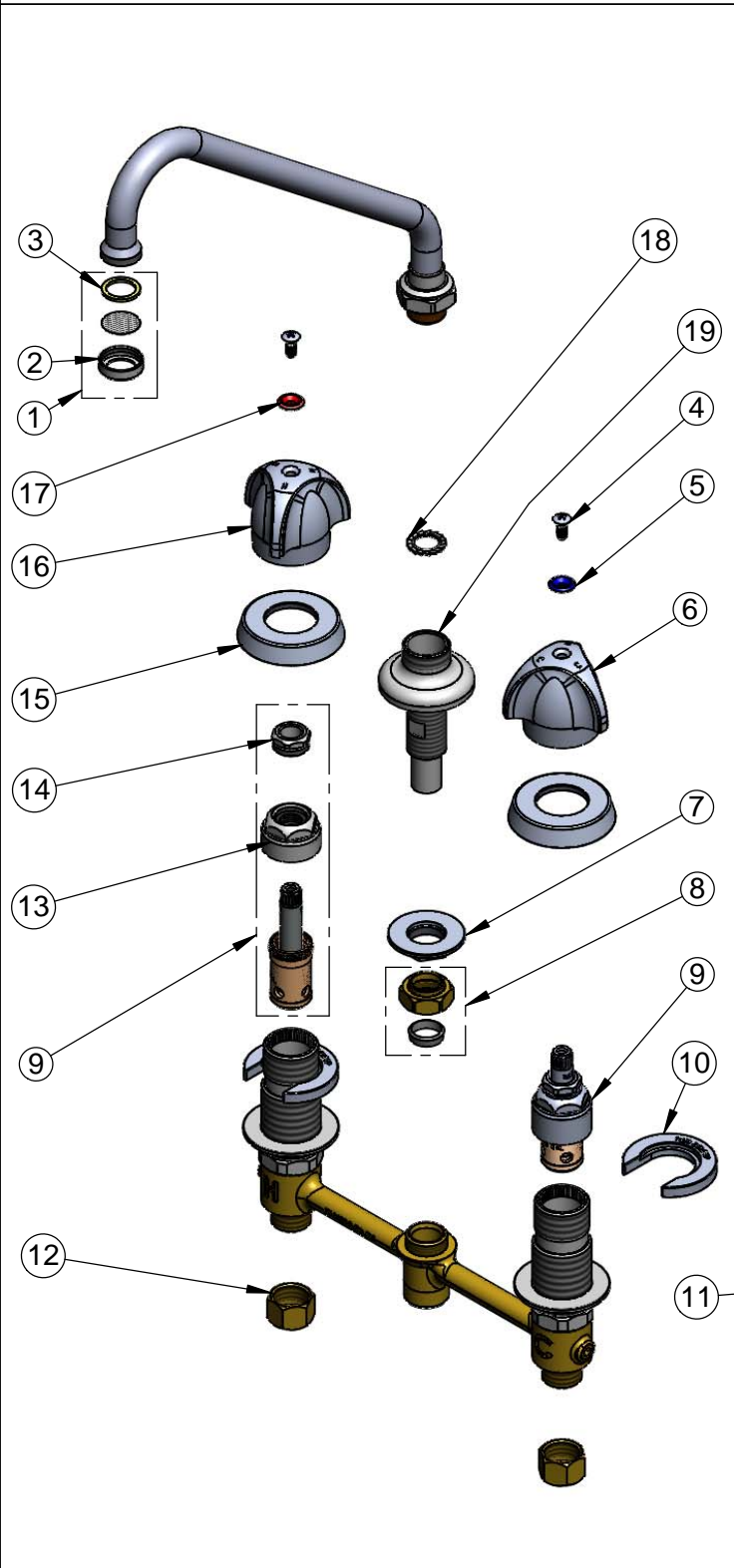
Product Compliance:
ASME A112.18.1 / CSA B125.1
NSF 61 - Section 9
NSF 372 (Low Lead Content)
ANSI A117.1 (ADA)



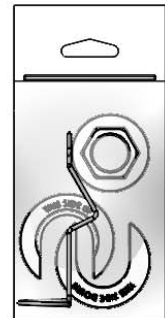
T&S BRASS AND BRONZE WORKS, INC.
 2 Saddleback Cove / P.O. Box 1088
 Travelers Rest, SC 29690

Model No.
B-2955
 Item No.

Travelers Rest, SC: 800-476-4103 • Simi Valley, CA: 800-423-0150 • Fax: 864-834-3518 • www.tsbrass.com



ITEM NO.	SALES NO.	DESCRIPTION
1	B-PT	Stream Regulator Outlet
2	000863-25	Index Ring
3	001048-45	Nozzle Tip Washer
4	000922-45	Lever Handle Screw
5	001660-45	Blue Index-CW
6	001784-40	Lavatory Handle, 3-Wing - Cold
7	016742-45	Center Flange Nut
8	016745-45	Compression Nut & Fitting
9	017327-40	CWS EasyInstall RTC Eterna (Teflon)
10	016749-45	Sidebody C-Washer
11	016777-45	CWS Hanger
12	000958-20	Coupling Nut
13	016743-25	CWS Bonnet
14	009002-25	Packing Nut
15	017292-45	Metering CWS Escutcheon
16	001783-40	Lavatory Handle, 3-Wing - Hot
17	001661-45	Red Index-HW
18	014200-45	Star Washer, Anti-Rotation
19	016754-40	EasyInstall CWS Swivel Center Shank



017245-40
 Installation Repair Kit
 Includes #7, (2)#10, & #11

Product Specifications:
 8" Deck Mount EasyInstall Faucet, Eterna Cartridges, 3-Wing Handles, 9" Swing Nozzle w/ Stream Regulator Outlet & 1/2" NPSM Male Inlets

Product Compliance:
 ASME A112.18.1 / CSA B125.1
 NSF 61 - Section 9
 NSF 372 (Low Lead Content)
 ANSI A117.1 (ADA)