



T&S BRASS AND BRONZE WORKS, INC.

2 Saddleback Cove / P.O. Box 1088
Travelers Rest, SC 29690

Model No.

B-2892

Item No.

Travelers Rest, SC: 800-476-4103 • Simi Valley, CA: 800-423-0150 • Fax: 864-834-3518 • www.tsbrass.com

This Space for Architect/Engineer Approval

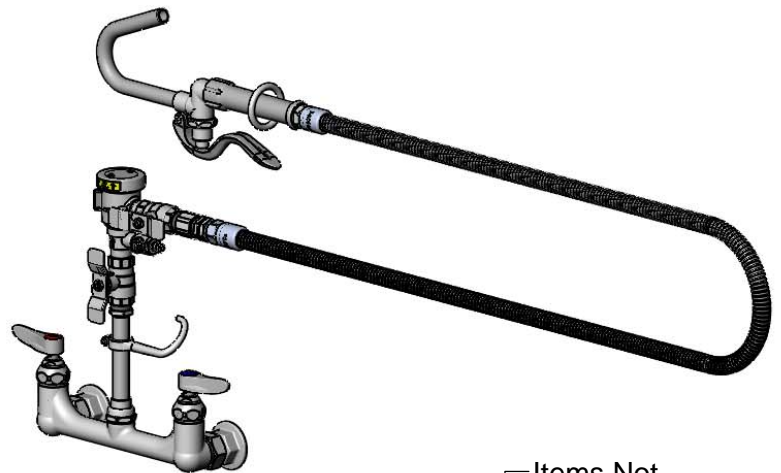
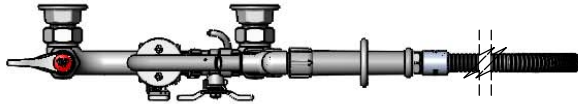
Job Name _____ Date _____

Model Specified _____ Quantity _____

Customer/Wholesaler _____

Contractor _____

Architect/Engineer _____



68" Flexible Stainless Steel Hose

Squeeze Valve w/ Hook Nozzle

B-0963
Continuous Pressure Vacuum Breaker w/ Integral Check Valve

Quarter-Turn Eterna Cartridges w/ Spring Checks & Lever Handles w/ Color Coded Indexes

Items Not Shown for Clarity

12 5/8" [321mm]

3 11/16" [94mm]

Finger Hook 10" [254mm]

8" [203mm] Adjustable From 7 3/4" to 8 1/4" [197mm to 210mm] Ø 2" [51mm] Flanges w/ 1/2" NPT Female Inlets

11 1/2" [292mm]

2 3/8" [61mm]

Product Specifications:

Kettle & Pot Filler 8" Wall Mount Mixing Faucet, Quarter-Turn Eterna Cartridges w/ Spring Checks, Vacuum Breaker, 68" Flexible Stainless Steel Hose, Squeeze Valve w/ Hook Nozzle & 1/2" NPT Female Inlets

Product Compliance:

ASME A112.18.1 / CSA B125.1
NSF 61 - Section 9
NSF 372 (Low Lead Content)
ASSE 1056 (VB)



T&S BRASS AND BRONZE WORKS, INC.

2 Saddleback Cove / P.O. Box 1088
Travelers Rest, SC 29690

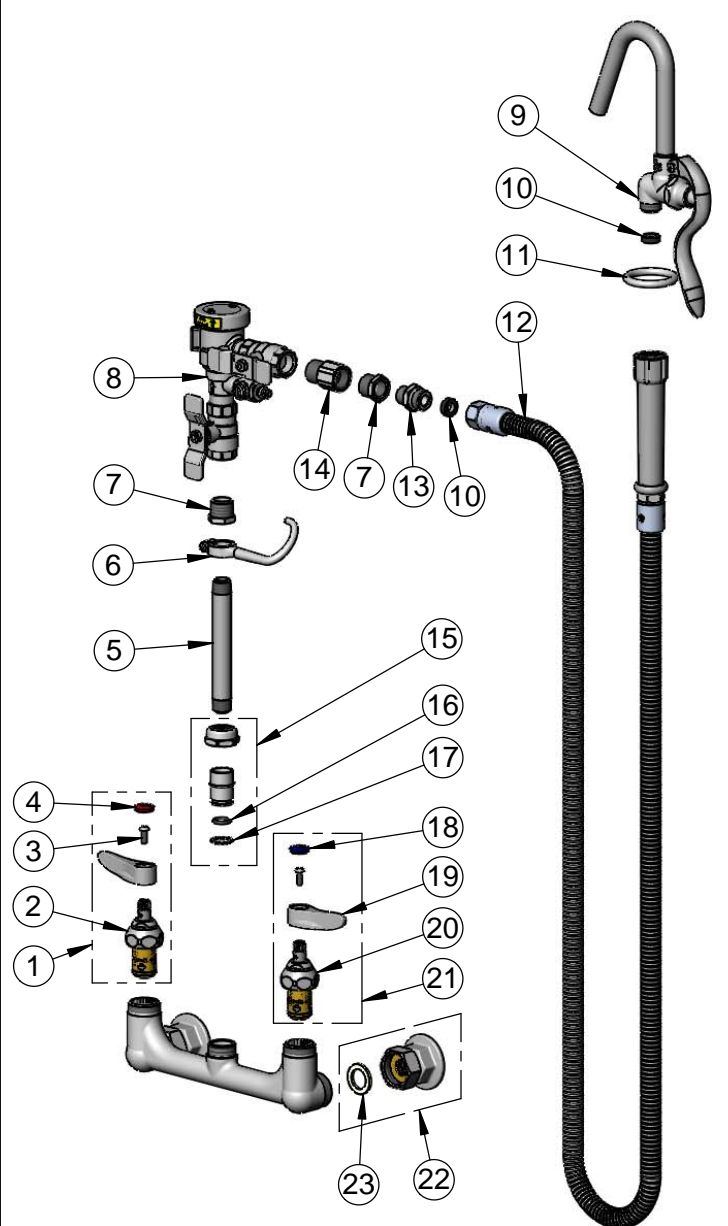
Model No.

B-2892

Item No.

Travelers Rest, SC: 800-476-4103 • Simi Valley, CA: 800-423-0150 • Fax: 864-834-3518 • www.tsbrass.com

ITEM NO.	SALES NO.	DESCRIPTION
1	002712-40NS	Quarter-Turn Eterna Cartridge w/ Spring Check, Handle, Red Index & Screw, RTC
2	012443-40NS	Quarter-Turn Eterna Cartridge w/ Spring Check, RTC
3	000925-45	Lab Handle Screw
4	001193-19NS	Red Button Index, Press-in
5	000361-40	Nipple, 3/8" NPT x 5"
6	004R	Finger Hook
7	001359-40	Hex Bushing, 1/2" NPT Male x 3/8" NPT Female
8	B-0963	Vacuum Breaker 1/2 NPT Female
9	002851-40	Self Closing Squeeze Valve w/ Hook Nozzle
10	010476-45	#27 Washer
11	000907-45	Spray Valve Hold Down Ring
12	B-0068-H	68" Flexible Stainless Steel Hose w/ Handle
13	053A	Adapter, 3/8" NPT Male
14	015073-40	Check Valve w/ 1/2" NPT Adapter
15	EZ-K	EasyInstall Kit
16	001065-45	O-ring
17	014200-45	Star Washer, Anti-Rotation
18	018506-19NS	Blue Button Index, Press-in
19	001638-45NS	Lever Handle (New Style)
20	012442-40NS	Quarter-Turn Eterna Cartridge w/ Spring Check, LTC
21	002711-40NS	Quarter-Turn Eterna Cartridge w/ Spring Check, Handle, Blue Index & Screw, LTC
22	00AA	1/2" NPT Female Eccentric Flange
23	001019-45	Coupling Nut Washer



Product Specifications:
Kettle & Pot Filler 8" Wall Mount Mixing Faucet, Quarter-Turn Eterna Cartridges w/ Spring Checks, Vacuum Breaker, 68" Flexible Stainless Steel Hose, Squeeze Valve w/ Hook Nozzle & 1/2" NPT Female Inlets

Product Compliance:
ASME A112.18.1 / CSA B125.1
NSF 61 - Section 9
NSF 372 (Low Lead Content)
ASSE 1056 (VB)