



T&S BRASS AND BRONZE WORKS, INC.

2 Saddleback Cove / P.O. Box 1088
Travelers Rest, SC 29690

Model No.

B-2885

Item No.

Travelers Rest, SC: 800-476-4103 • Simi Valley, CA: 800-423-0150 • Fax: 864-834-3518 • www.tsbrass.com

This Space for Architect/Engineer Approval

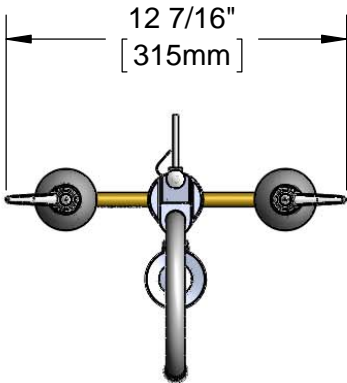
Job Name _____ Date _____

Model Specified _____ Quantity _____

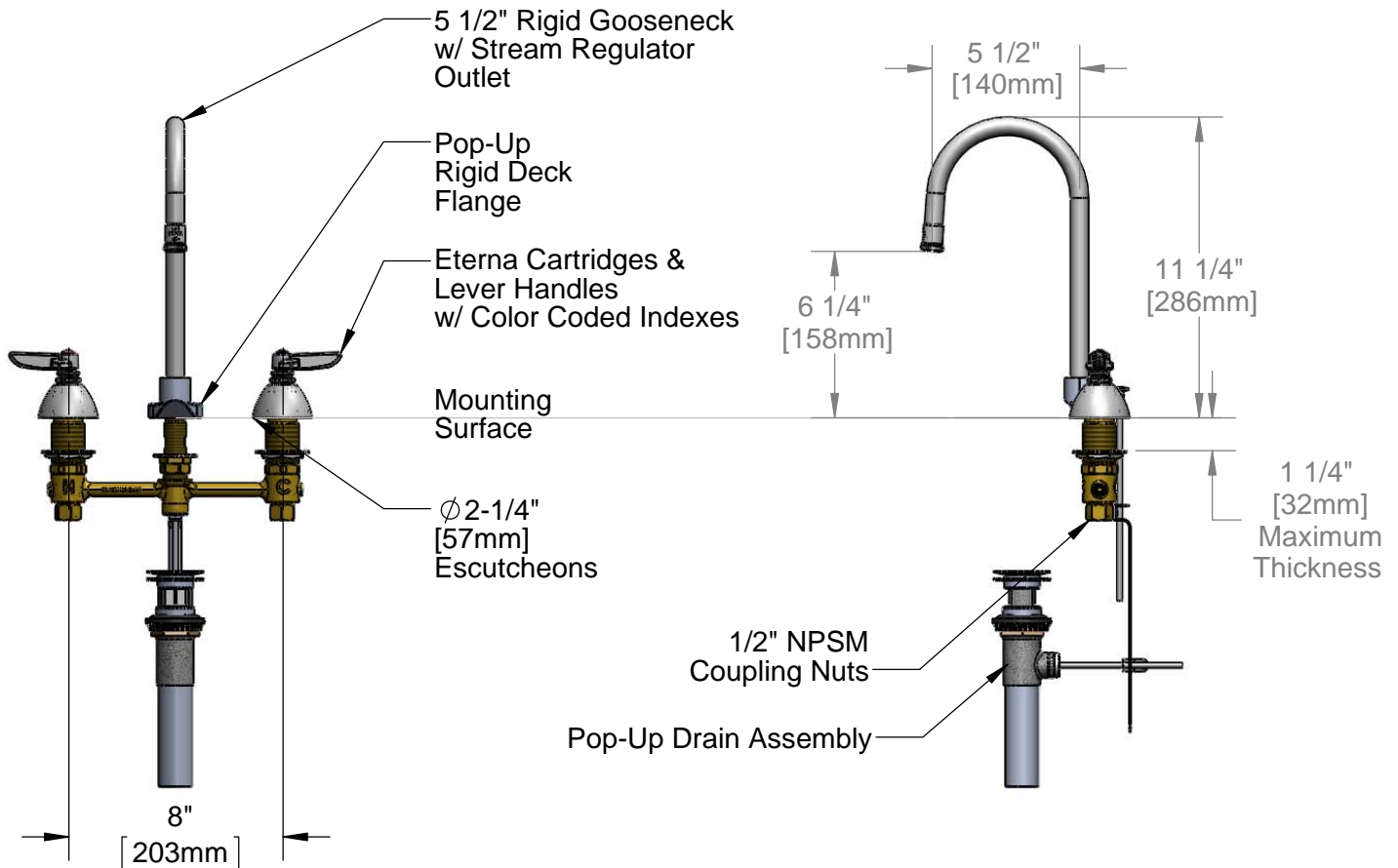
Customer/Wholesaler _____

Contractor _____

Architect/Engineer _____



ADA Compliant



Rough-In Requirement:

Center Shank: Ø 1" [25mm] Mounting Hole

Hot/Cold Side: Ø 1 1/2" [38mm] Mounting Holes

Product Specifications:

8" Deck Mount EasyInstall Mixing Faucet, Eterna Cartridges, Rigid Gooseneck w/ Stream Regulator Outlet, Pop-Up Drain and 1/2" NPSM Male Inlets

Product Compliance:

ASME A112.18.1 / CSA B125.1
NSF 61 - Section 9
NSF 372 (Low Lead Content)
ANSI A117.1 (ADA)



T&S BRASS AND BRONZE WORKS, INC.

2 Saddleback Cove / P.O. Box 1088
Travelers Rest, SC 29690

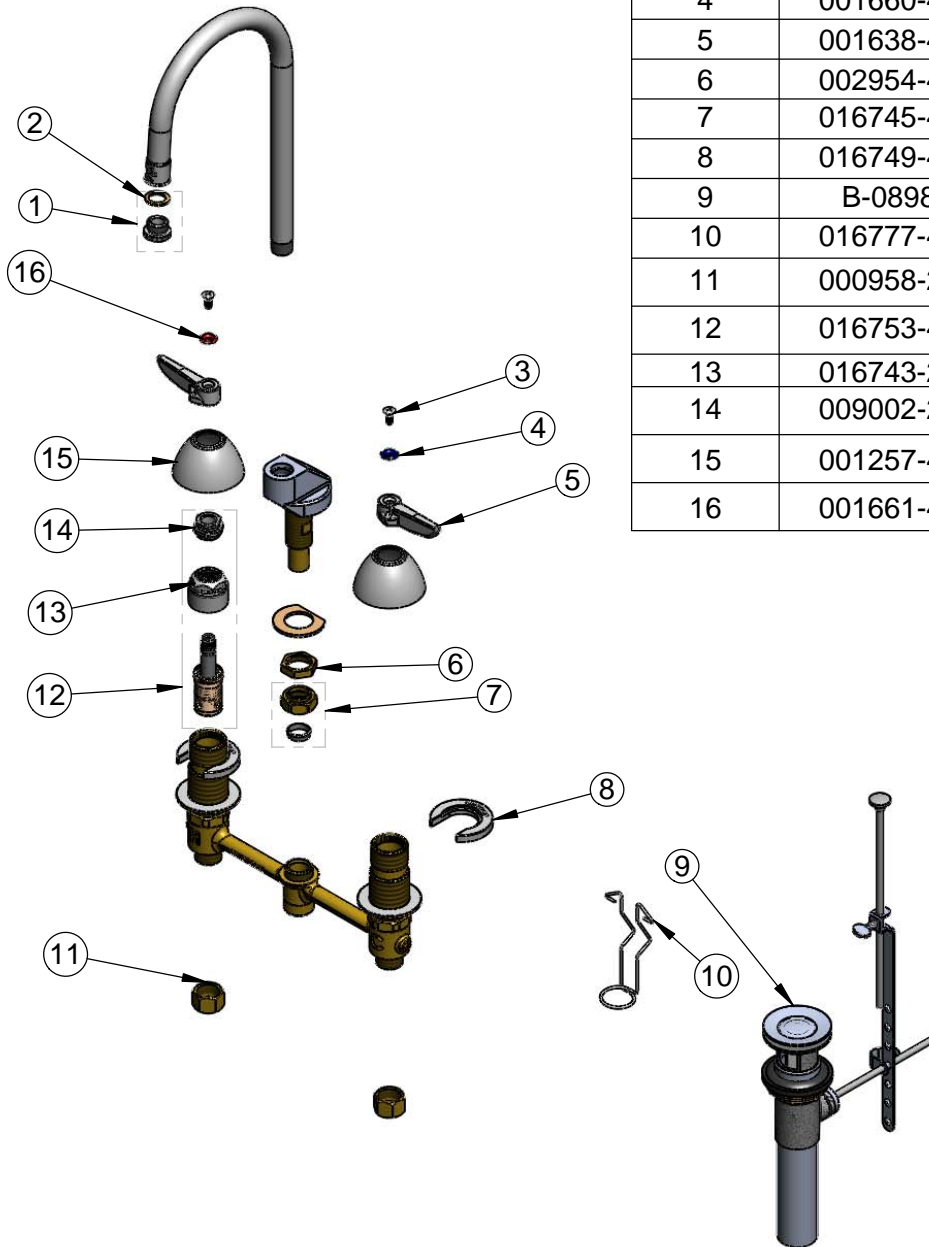
Model No.

B-2885

Item No.

Travelers Rest, SC: 800-476-4103 • Simi Valley, CA: 800-423-0150 • Fax: 864-834-3518 • www.tsbrass.com

ITEM NO.	SALES NO.	DESCRIPTION
1	B-LT	Stream Regulator Outlet
2	001043-45	Washer
3	000922-45	Lever Handle Screw
4	001660-45	Blue Index-CW
5	001638-45	Lever Handle
6	002954-45	Shank Lock Nut
7	016745-45	Compression Nut & Fitting
8	016749-45	Sidebody C-Washer
9	B-0898	Pop-Up Drain
10	016777-45	CWS Hanger
11	000958-20	Coupling Nut
12	016753-40	EasyInstall CWS RTC Eterna (Teflon)
13	016743-25	CWS Bonnet
14	009002-25	Packing Nut
15	001257-40	Bell Escutcheon
16	001661-45	Red Index-HW



Product Specifications:

8" Deck Mount EasyInstall Mixing Faucet, Eterna Cartridges, Rigid Gooseneck w/ Stream Regulator Outlet, Pop-Up Drain and 1/2" NPSM Male Inlets

Product Compliance:

ASME A112.18.1 / CSA B125.1
NSF 61 - Section 9
NSF 372 (Low Lead Content)
ANSI A117.1 (ADA)