

T&S BRASS AND BRONZE WORKS, INC.

2 Saddleback Cove / P.O. Box 1088
Travelers Rest, SC 29690

Model No.

B-2873

Item No.

Travelers Rest, SC: 800-476-4103 • Simi Valley, CA: 800-423-0150 • Fax: 864-834-3518 • www.tsbrass.com

This Space for Architect/Engineer Approval

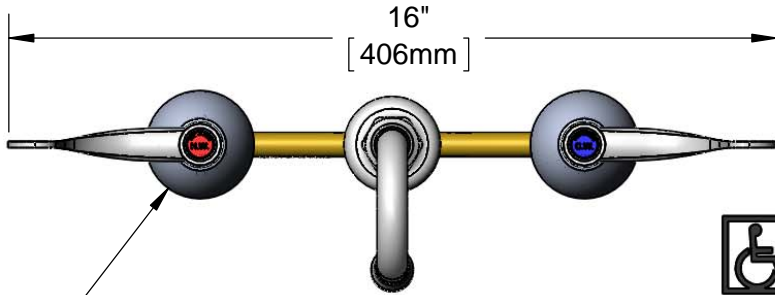
Job Name _____ Date _____

Model Specified _____ Quantity _____

Customer/Wholesaler _____

Contractor _____

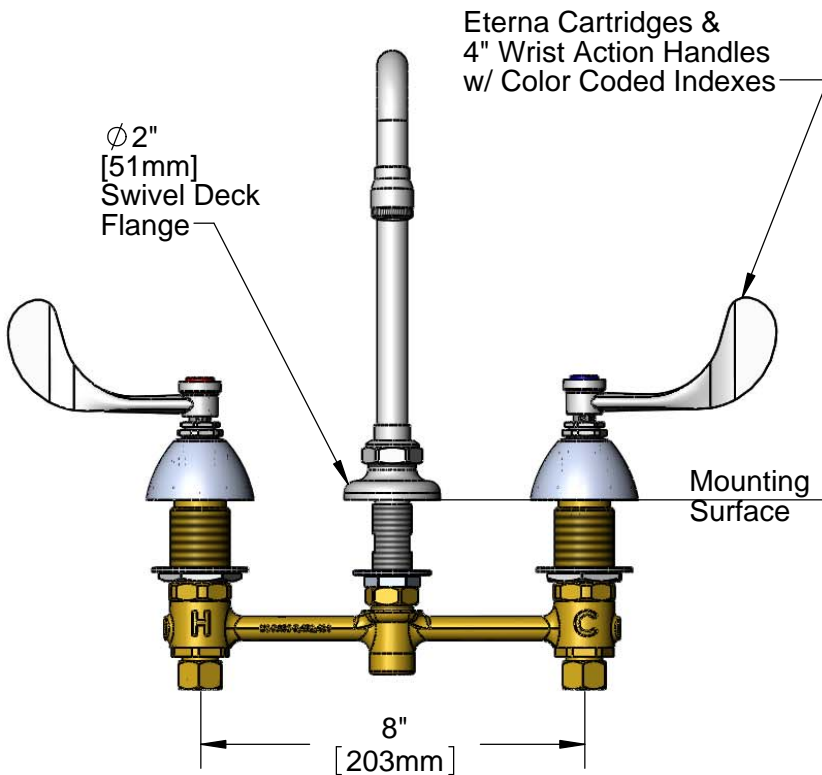
Architect/Engineer _____



Ø 2-1/4"
[57mm]
Escutcheons



ADA Compliant

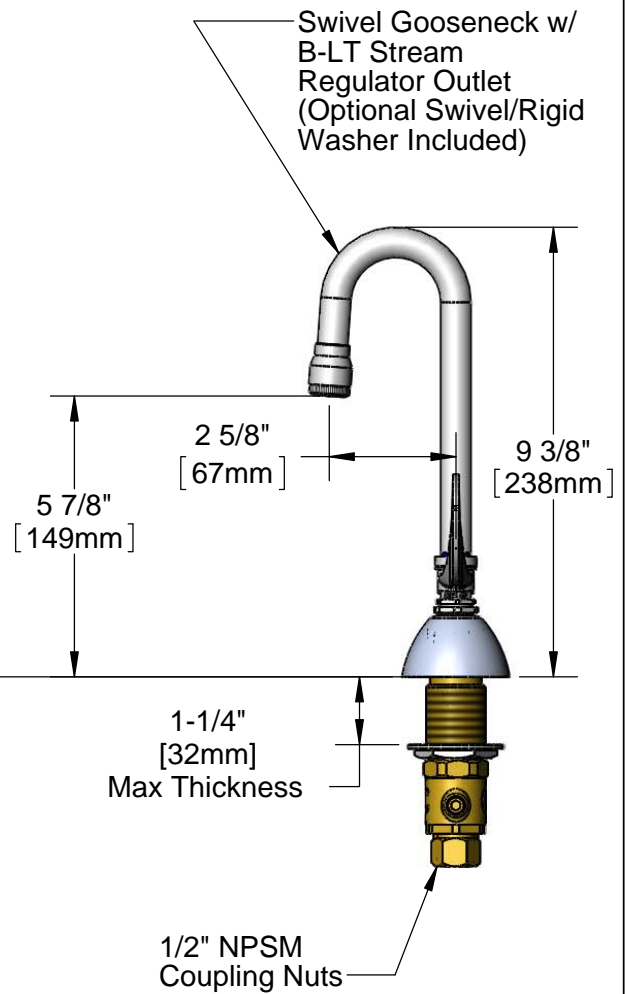


Ø 2"
[51mm]
Swivel Deck
Flange

Eterna Cartridges &
4" Wrist Action Handles
w/ Color Coded Indexes

Mounting
Surface

8"
[203mm]



Swivel Gooseneck w/
B-LT Stream
Regulator Outlet
(Optional Swivel/Rigid
Washer Included)

2 5/8"
[67mm]

9 3/8"
[238mm]

5 7/8"
[149mm]

1-1/4"
[32mm]
Max Thickness

1/2" NPSM
Coupling Nuts

Rough-In Requirement:

Ø 1" [25mm] for Center Shank

Ø 1-1/2" [38mm] for Hot/Cold Side

Product Specifications:

EasyInstall Faucet w/ 4" Wrist Action Handles, Eterna Cartridges,
8" Inlet Centers & Swivel Gooseneck w/ Stream Regulator Outlet

Drawn

JRM

Checked

DMH

Approved

JHB

Scale:

1:4

Date:

06/21/12



T&S BRASS AND BRONZE WORKS, INC.

2 Saddleback Cove / P.O. Box 1088

Travelers Rest, SC 29690

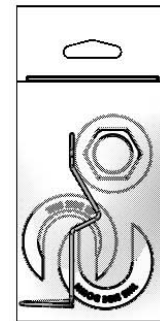
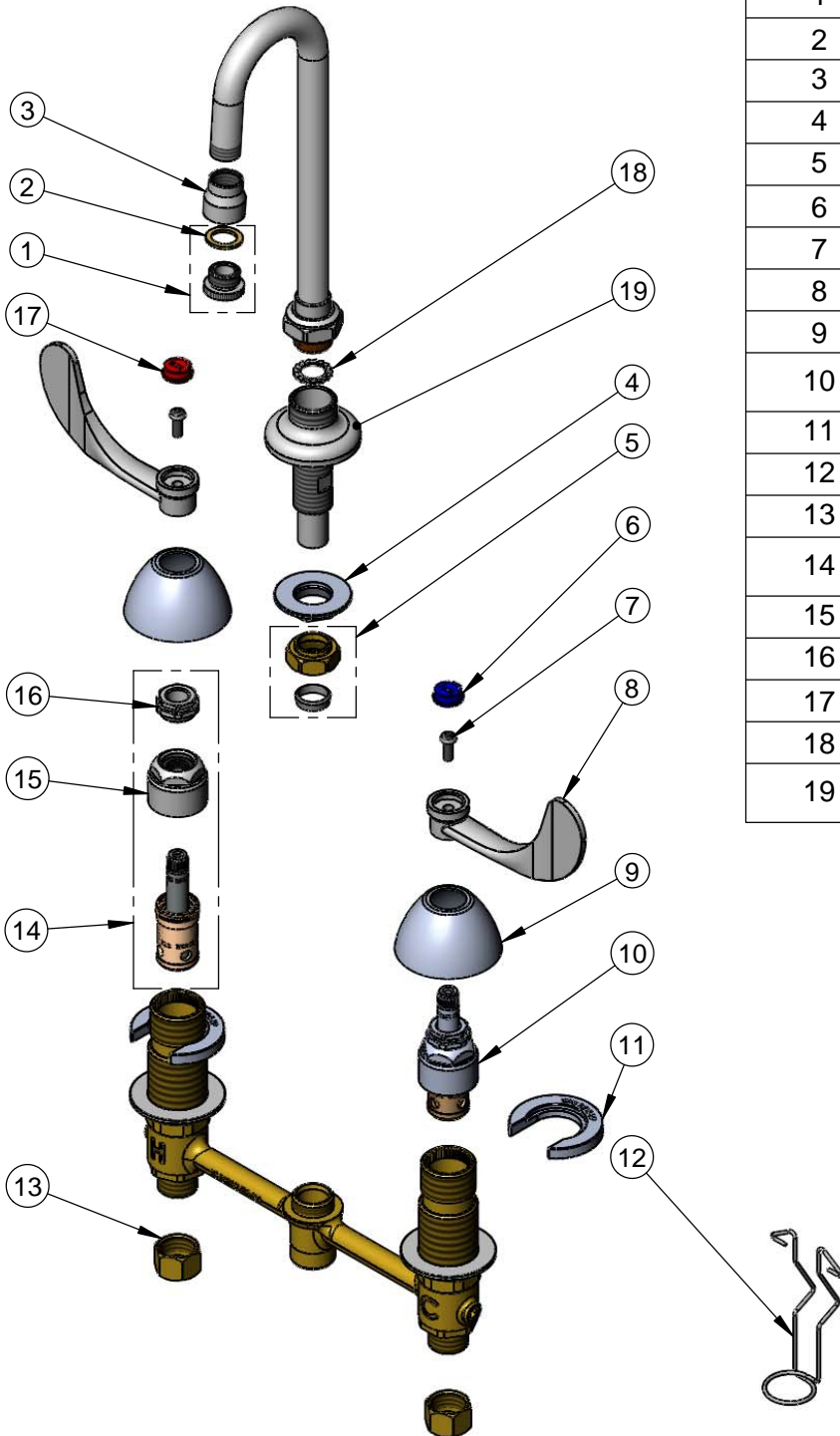
Model No.

B-2873

Item No.

Travelers Rest, SC: 800-476-4103 • Simi Valley, CA: 800-423-0150 • Fax: 864-834-3518 • www.tsbrass.com

ITEM NO.	SALES NO.	DESCRIPTION
1	B-LT	Stream Regulator Outlet
2	001043-45	Washer
3	000557-25	Adapter Bell, 5/8-27 X 3/8
4	016742-45	Center Flange Nut
5	016745-45	Compression Nut & Fitting
6	001686-45	Blue CW Index
7	000925-45	Lab Handle Screw
8	B-WH4	4" Wrist Action Handle
9	001257-40	Bell Escutcheon
10	016752-40	EasyInstall CWS LTC Eterna (Teflon)
11	016749-45	Sidebody C-Washer
12	016777-45	CWS Hanger
13	000958-20	Coupling Nut
14	016753-40	EasyInstall CWS RTC Eterna (Teflon)
15	016743-25	CWS Bonnet Assembly
16	009002-25	Packing Nut Assembly
17	001194-45	Red HW Index
18	014200-45	Star Washer, Anti-Rotation
19	016754-40	EasyInstall CWS Swivel Center Shank



017245-40
Installation Repair Kit
Includes #4, (2)#11, & #12

Product Specifications:

EasyInstall Faucet w/ 4" Wrist Action Handles, Eterna Cartridges, 8" Inlet Centers & Swivel Gooseneck w/ Stream Regulator Outlet

Drawn

JRM

Checked

DMH

Approved

JHB

Scale:

NTS

Date:

06/21/12