



T&S BRASS AND BRONZE WORKS, INC.
 2 Saddleback Cove / P.O. Box 1088
 Travelers Rest, SC 29690

Model No.
B-2867

Item No.

Travelers Rest, SC: 800-476-4103 • Simi Valley, CA: 800-423-0150 • Fax: 864-834-3518 • www.tsbrass.com

This Space for Architect/Engineer Approval

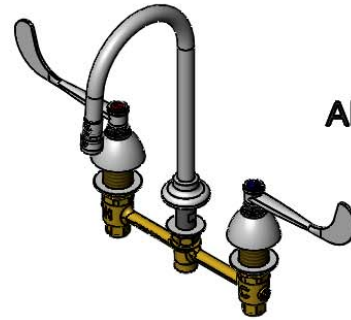
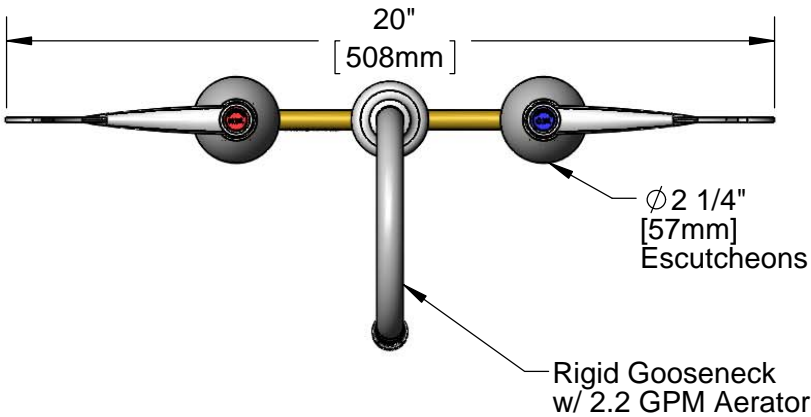
Job Name _____ Date _____

Model Specified _____ Quantity _____

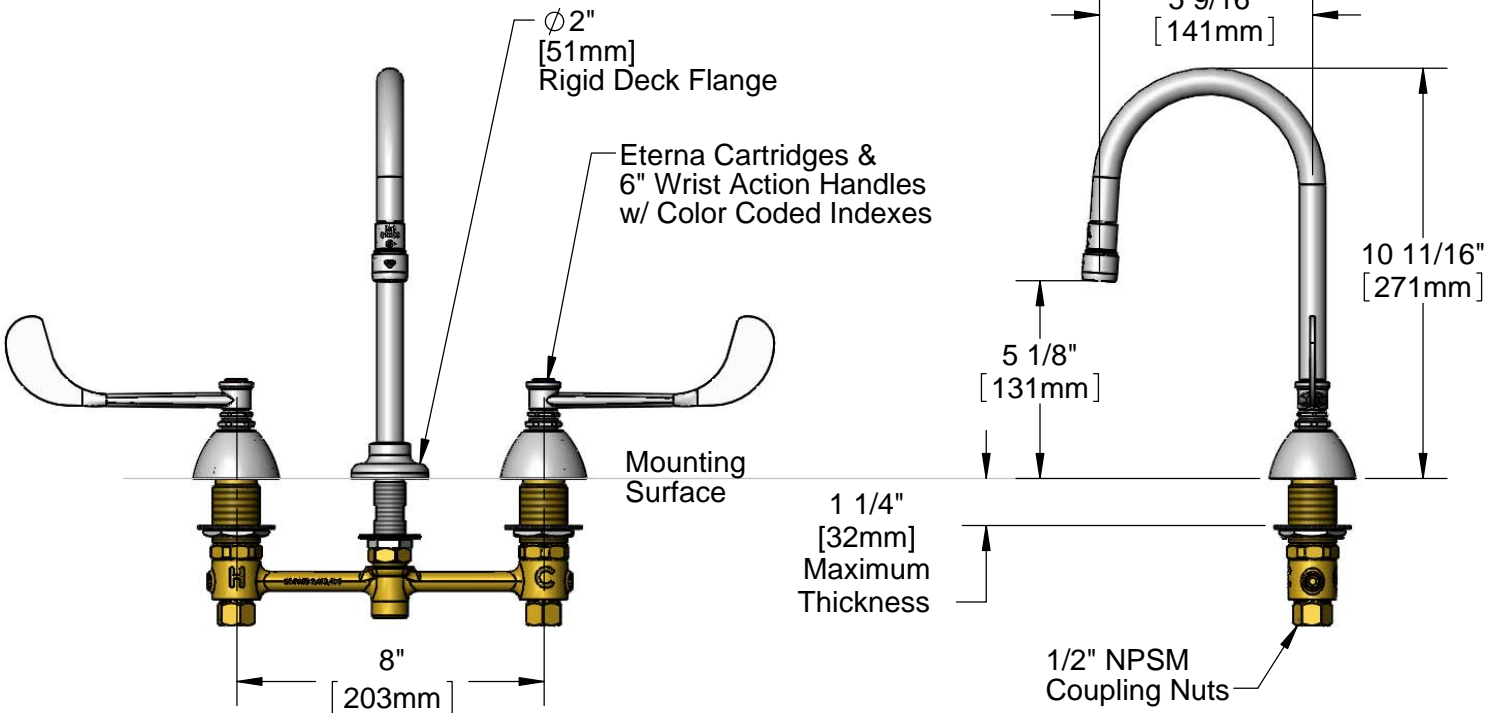
Customer/Wholesaler _____

Contractor _____

Architect/Engineer _____



ADA Compliant



Rough-In Requirement:
 Ø 1" [25mm] for Center Shank
 Ø 1 1/2" [38mm] for Hot/Cold Side

Product Specifications:
 EasyInstall 8" Concealed Widespread Mixing Faucet w/ 6" Wrist Action
 Handles, Eterna Cartridges & Rigid Gooseneck w/ 2.2 GPM Aerator

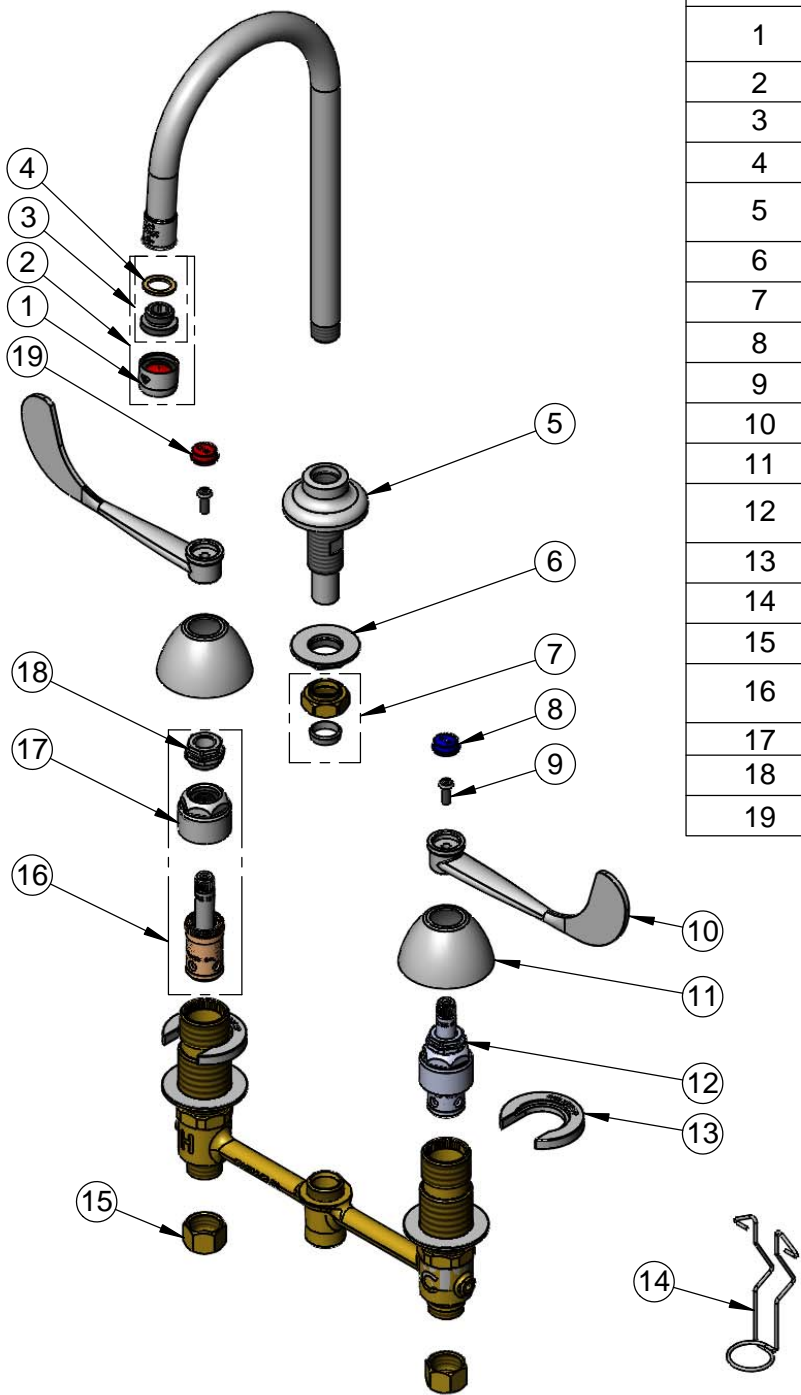
Product Compliance:
 ASME A112.18.1 / CSA B125.1
 NSF 61 - Section 9
 NSF 372 (Low Lead Content)
 ANSI A117.1 (ADA)



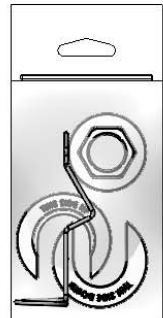
T&S BRASS AND BRONZE WORKS, INC.
 2 Saddleback Cove / P.O. Box 1088
 Travelers Rest, SC 29690

Model No.
B-2867
 Item No.

Travelers Rest, SC: 800-476-4103 • Simi Valley, CA: 800-423-0150 • Fax: 864-834-3518 • www.tsbrass.com



| ITEM NO. | SALES NO. | DESCRIPTION |
|----------|-----------|--------------------------------------|
| 1 | B-0199-01 | 2.2 GPM Aerator, 55/64"-27 UN Female |
| 2 | B-0199-02 | 2.2 GPM Aerator, Male |
| 3 | 044A | 3/8" to Aerator Adapter |
| 4 | 001043-45 | Washer |
| 5 | 016847-40 | EasyInstall CWS Rigid Center Shank |
| 6 | 016742-45 | Center Flange Nut |
| 7 | 016745-45 | Compression Nut & Fitting |
| 8 | 001686-45 | Blue Index - CW |
| 9 | 000925-45 | Lab Handle Screw |
| 10 | B-WH6 | 6" Wrist Action Handle |
| 11 | 001257-40 | Bell Escutcheon |
| 12 | 016752-40 | EasyInstall CWS LTC Eterna (Teflon) |
| 13 | 016749-45 | Sidebody C-Washer |
| 14 | 016777-45 | CWS Hanger |
| 15 | 000958-20 | Coupling Nut |
| 16 | 016753-40 | EasyInstall CWS RTC Eterna (Teflon) |
| 17 | 016743-25 | CWS Eterna Bonnet |
| 18 | 009002-25 | Packing Nut |
| 19 | 001194-45 | Red Index - HW |



017245-40
 Installation Repair Kit
 Includes #6, (2)#13, & #14

Product Specifications:
 EasyInstall 8" Concealed Widespread Mixing Faucet w/ 6" Wrist Action Handles, Eterna Cartridges & Rigid Gooseneck w/ 2.2 GPM Aerator

Product Compliance:
 ASME A112.18.1 / CSA B125.1
 NSF 61 - Section 9
 NSF 372 (Low Lead Content)
 ANSI A117.1 (ADA)