



T&S BRASS AND BRONZE WORKS, INC.

2 Saddleback Cove / P.O. Box 1088
Travelers Rest, SC 29690

Model No.

B-2867-04VRS

Item No.

Travelers Rest, SC: 800-476-4103 • Simi Valley, CA: 800-423-0150 • Fax: 864-834-3518 • www.tsbrass.com

This Space for Architect/Engineer Approval

Job Name _____ Date _____

Model Specified _____ Quantity _____

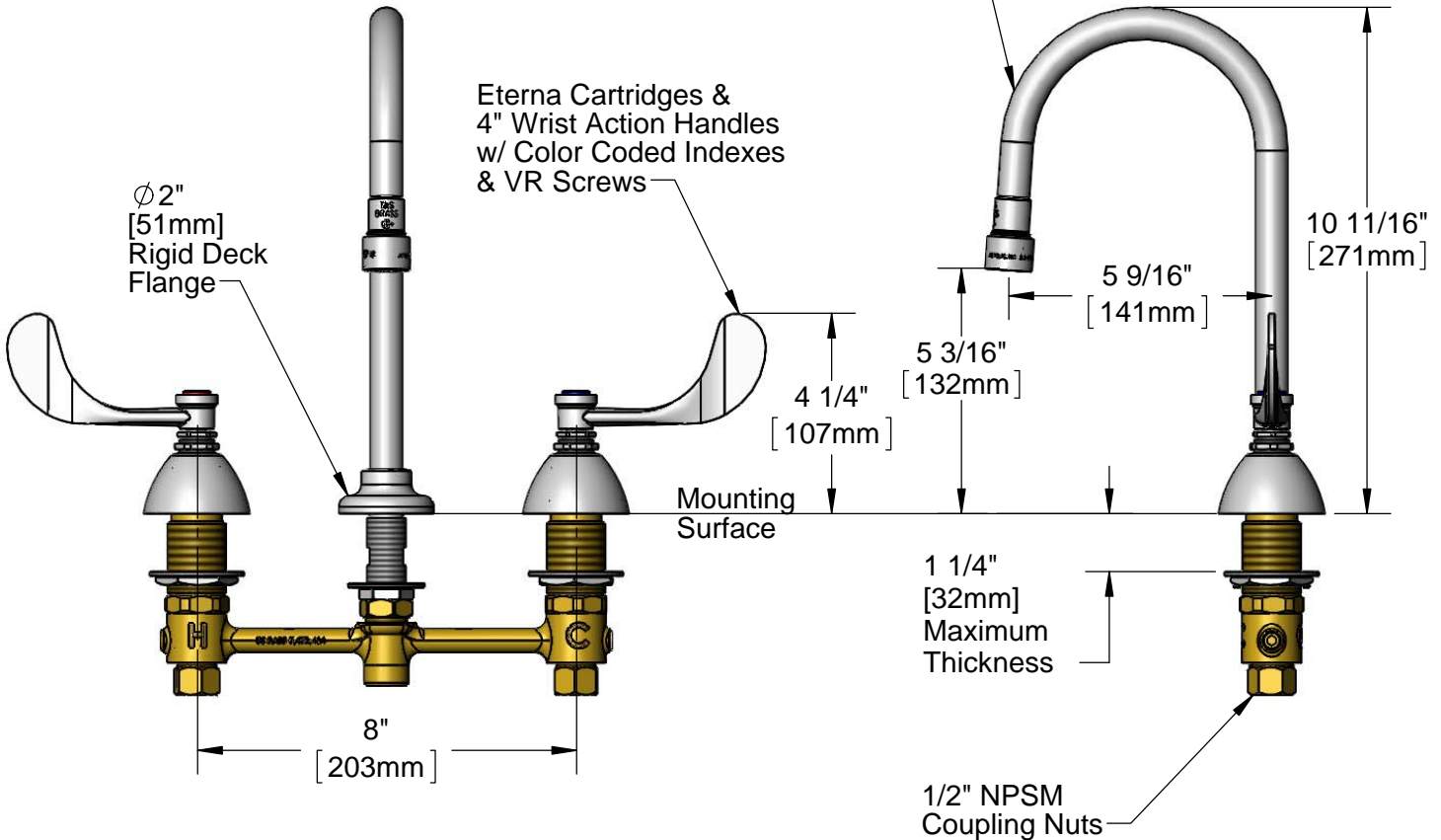
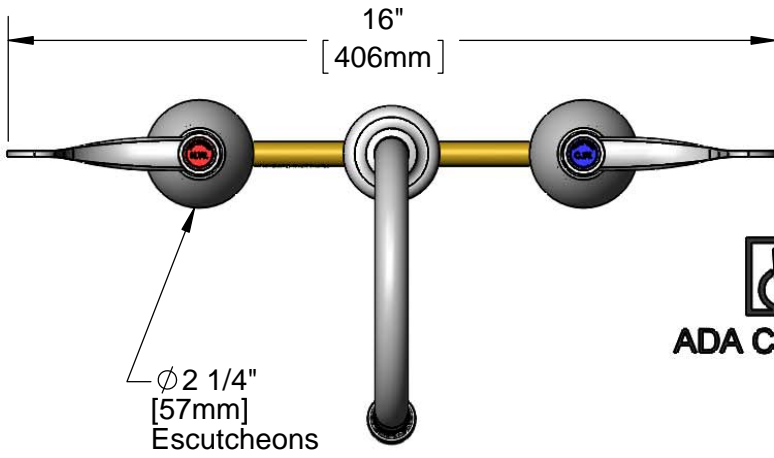
Customer/Wholesaler _____

Contractor _____

Architect/Engineer _____



ADA Compliant



Rough-In Requirement:

Ø 1" [25mm] for Center Shank

Ø 1 1/2" [38mm] for Hot/Cold Side

Product Specifications:

EasyInstall Faucet w/ 4" Wrist Action Handles w/ VR Screws, Eterna Cartridges, 8" Inlet Centers & Rigid Gooseneck w/ 2.2 GPM VR Aerator

Product Compliance:

ASME A112.18.1 / CSA B125.1
NSF 61 - Section 9
NSF 372 (Low Lead Content)
ANSI A117.1 (ADA)



T&S BRASS AND BRONZE WORKS, INC.

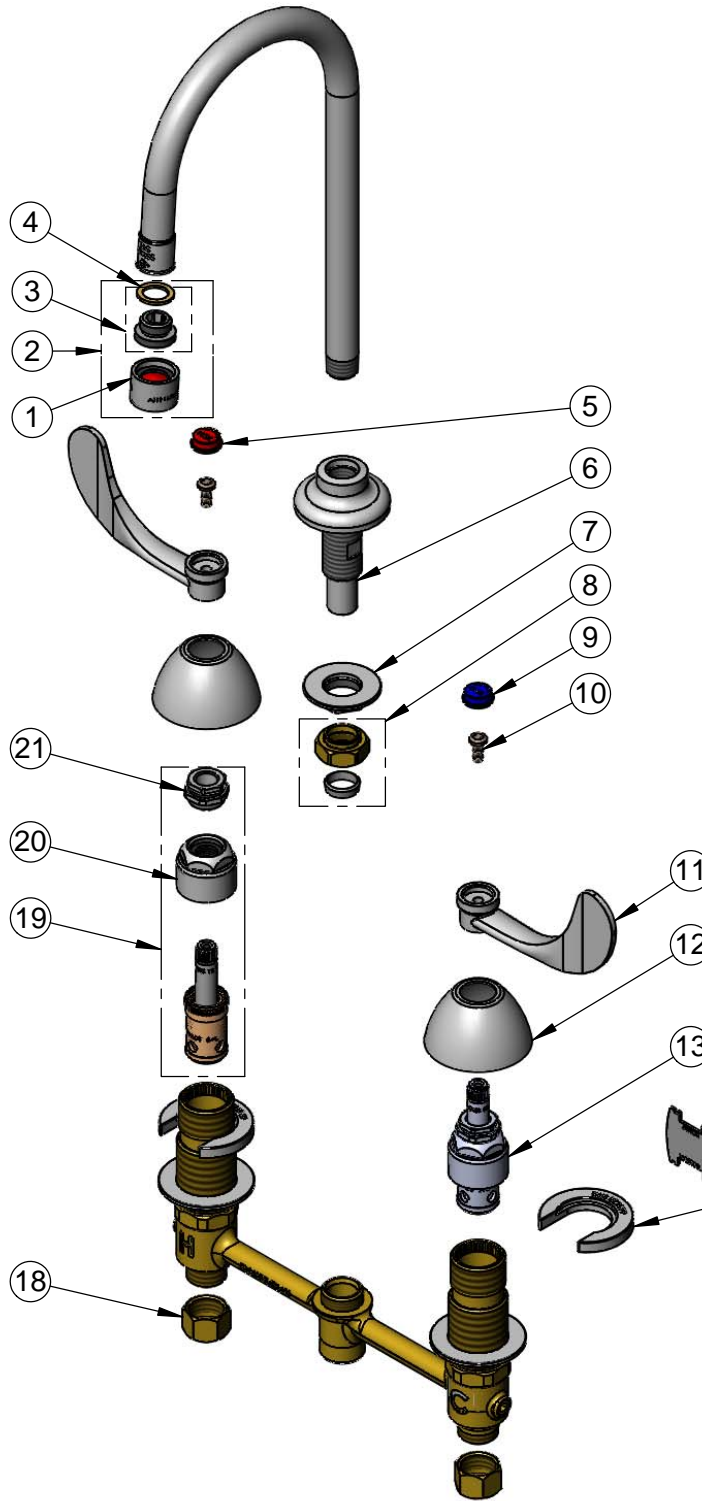
2 Saddleback Cove / P.O. Box 1088
Travelers Rest, SC 29690

Model No.

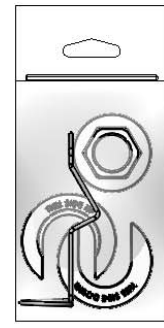
B-2867-04VRS

Item No.

Travelers Rest, SC: 800-476-4103 • Simi Valley, CA: 800-423-0150 • Fax: 864-834-3518 • www.tsbrass.com



ITEM NO.	SALES NO.	DESCRIPTION
1	B-0199-06	VR 2.2 GPM Aerator, 55/64-27 Female
2	B-0199-07	VR 2.2 GPM Aerator, 3/8" NPSM Male w/ Key
3	044A	3/8" to Aerator Adapter
4	001043-45	Washer
5	001194-45	Red Index - HW
6	016847-40	EasyInstall CWS Rigid Center Shank
7	016742-45	Center Flange Nut
8	016745-45	Compression Nut & Fitting
9	001686-45	Blue Index - CW
10	VRS-2	VR Screws w/ Spanner Bit
11	B-WH4	4" Wrist Action Handle
12	001257-40	Bell Escutcheon
13	016752-40	EasyInstall CWS LTC Eterna (Teflon)
14	015425-45	Vandal Resistant Key
15	016749-45	Sidebody C-Washer
16	014075-45	#10 Spanner Bit
17	016777-45	CWS Hanger
18	000958-20	Coupling Nut
19	016753-40	EasyInstall CWS RTC Eterna (Teflon)
20	016743-25	CWS Bonnet
21	009002-25	Packing Nut



017245-40
Installation Repair Kit
Includes #7, (2)#15, & #17

Product Specifications:
EasyInstall Faucet w/ 4" Wrist Action Handles w/ VR Screws, Eterna Cartridges, 8" Inlet Centers & Rigid Gooseneck w/ 2.2 GPM VR Aerator

Product Compliance:
ASME A112.18.1 / CSA B125.1
NSF 61 - Section 9
NSF 372 (Low Lead Content)
ANSI A117.1 (ADA)