



T&S BRASS AND BRONZE WORKS, INC.

2 Saddleback Cove / P.O. Box 1088
Travelers Rest, SC 29690

Model No.

B-2867-04-VF05

Item No.

Travelers Rest, SC: 800-476-4103 • Simi Valley, CA: 800-423-0150 • Fax: 864-834-3518 • www.tsbrass.com

This Space for Architect/Engineer Approval

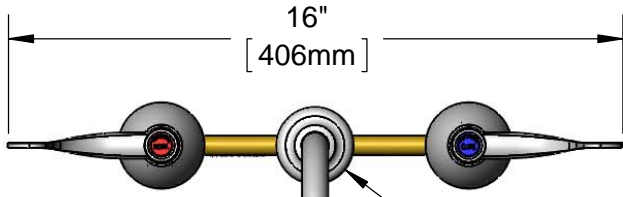
Job Name _____ Date _____

Model Specified _____ Quantity _____

Customer/Wholesaler _____

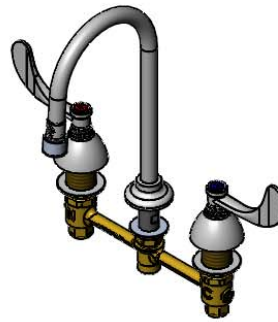
Contractor _____

Architect/Engineer _____

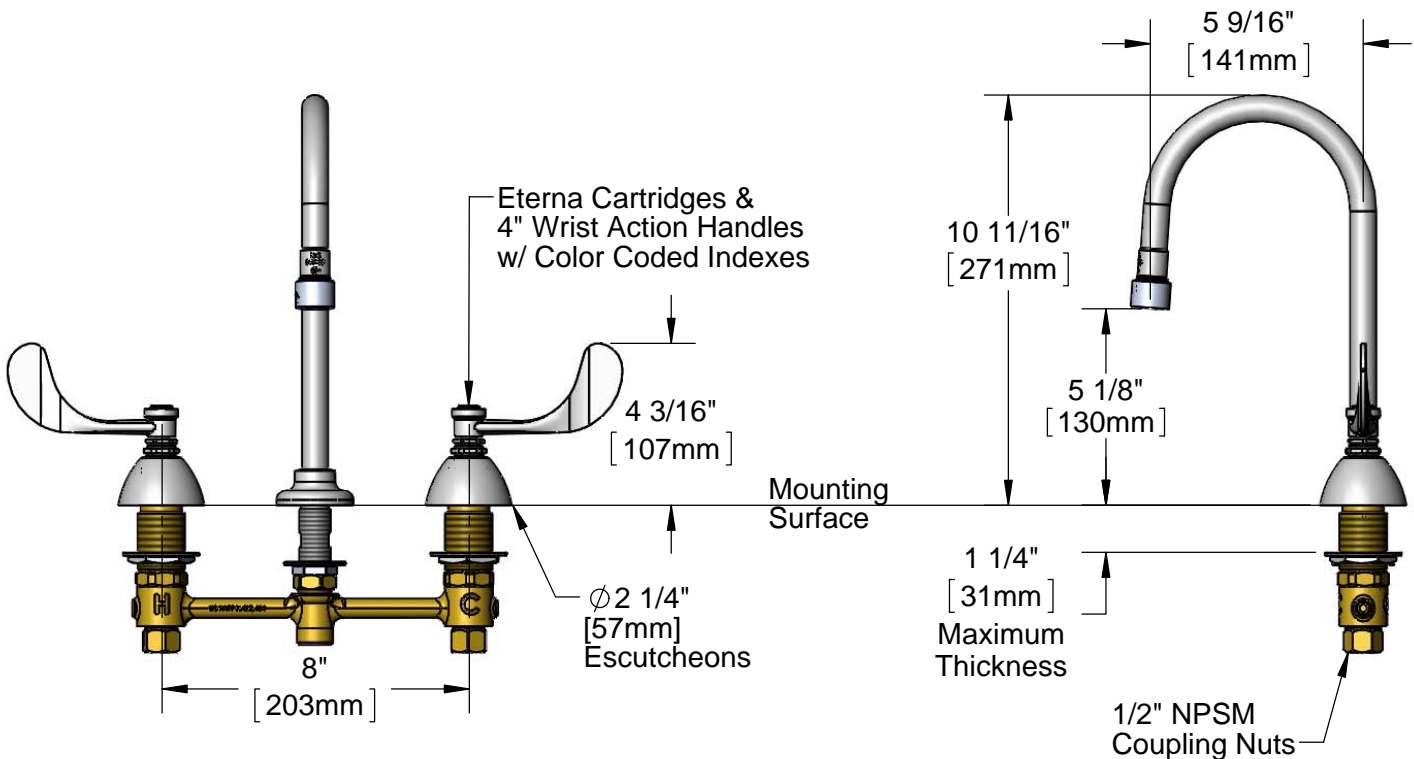


Ø 2" [51mm]
Rigid Deck
Flange

Rigid Gooseneck
w/ 0.5 GPM VR
Non-Aerated
Spray Device



ADA Compliant



Rough-In Requirement:

Ø 1" [25mm] for Center Shank

Ø 1 1/2" [38mm] for Hot/Cold Sides

Product Specifications:

EasyInstall 8" Concealed Mixing Faucet w/ 4" Wrist Action Handles, Eterna Cartridges, & Rigid Gooseneck w/ 0.5 GPM VR Non-Aerated Spray Device

Product Compliance:

ASME A112.18.1 / CSA B125.1
NSF 61 - Section 9
NSF 372 (Low Lead Content)
ANSI A117.1 (ADA)



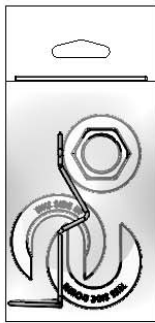
T&S BRASS AND BRONZE WORKS, INC.
 2 Saddleback Cove / P.O. Box 1088
 Travelers Rest, SC 29690

Model No.
B-2867-04-VF05


Item No.

Travelers Rest, SC: 800-476-4103 • Simi Valley, CA: 800-423-0150 • Fax: 864-834-3518 • www.tsbrass.com

ITEM NO.	SALES NO.	DESCRIPTION
1	B-0199-06-N05	0.5 GPM VR Non-Aerated Spray Device, 55/64-27 Female
2	044A	3/8" to Aerator Adapter
3	001043-45	Washer
4	B-0199-07-N05	0.5 GPM VR Spray Device Asm., 3/8" NPSM
5	016847-40	EasyInstall CWS Rigid Center Shank
6	016742-45	Center Flange Nut
7	016745-45	Compression Nut & Fitting
8	001686-45	Blue Index - CW
9	000925-45	Lab Handle Screw
10	B-WH4	4" Wrist Action Handle
11	001257-40	Bell Escutcheon
12	016752-40	EasyInstall CWS LTC Eterna (Teflon)
13	016749-45	Sidebody C-Washer
14	016777-45	CWS Hanger
15	000958-20	Coupling Nut
16	016753-40	EasyInstall CWS RTC Eterna (Teflon)
17	016743-25	CWS Bonnet
18	009002-25	Packing Nut
19	001194-45	Red Index - HW



017245-40
 Installation Repair Kit
 Includes #6, (2)#13, & #14



015425-45
 Vandal Resistant Key

Product Specifications:
 EasyInstall 8" Concealed Mixing Faucet w/ 4" Wrist Action Handles, Eterna Cartridges, & Rigid Gooseneck w/ 0.5 GPM VR Non-Aerated Spray Device

Product Compliance:
 ASME A112.18.1 / CSA B125.1
 NSF 61 - Section 9
 NSF 372 (Low Lead Content)
 ANSI A117.1 (ADA)