



T&S BRASS AND BRONZE WORKS, INC.

2 Saddleback Cove / P.O. Box 1088
Travelers Rest, SC 29690

Model No.

B-2867-04-LF15

Item No.

Travelers Rest, SC: 800-476-4103 • Simi Valley, CA: 800-423-0150 • Fax: 864-834-3518 • www.tsbrass.com

This Space for Architect/Engineer Approval

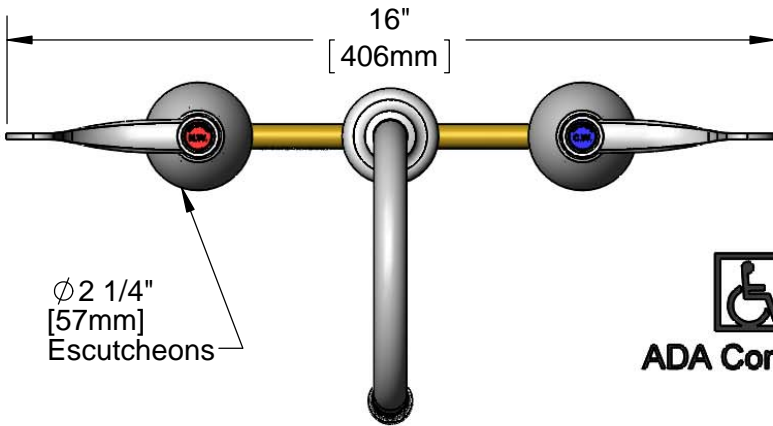
Job Name _____ Date _____

Model Specified _____ Quantity _____

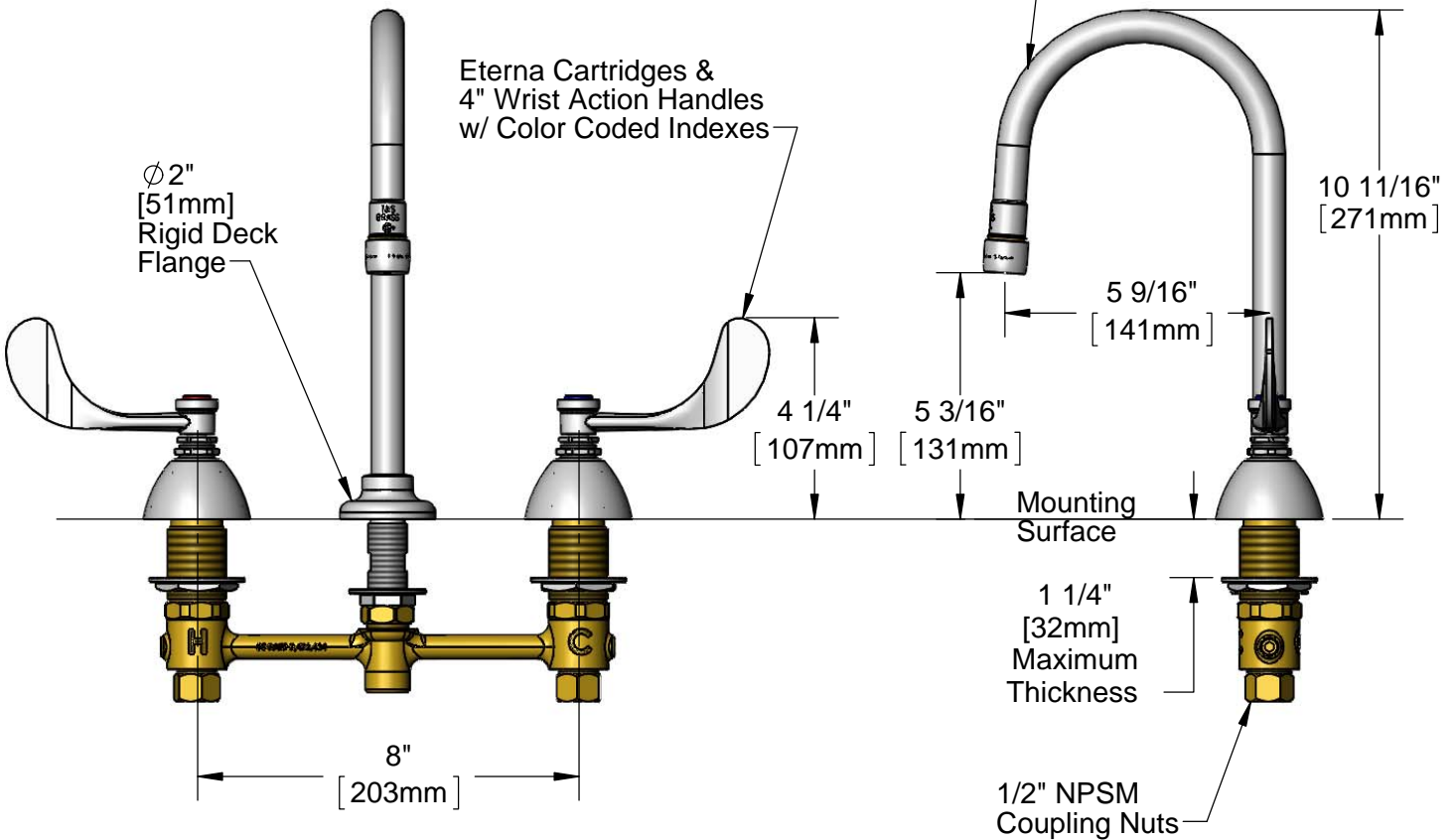
Customer/Wholesaler _____

Contractor _____

Architect/Engineer _____



ADA Compliant



Rough-In Requirement:

Ø 1" [25mm] for Center Shank

Ø 1 1/2" [38mm] for Hot/Cold Side

Product Specifications:

EasyInstall 8" Concealed Widespread Mixing Faucet, Eterna Cartridges, 4" Wrist Action Handles, Rigid Gooseneck w/ 1.5 GPM Laminar Flow Device & 1/2" NPSM Coupling Nut Inlets

Product Compliance:

ASME A112.18.1 / CSA B125.1
NSF 61 - Section 9
NSF 372 (Low Lead Content)
ANSI A117.1 (ADA)



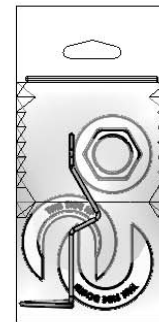
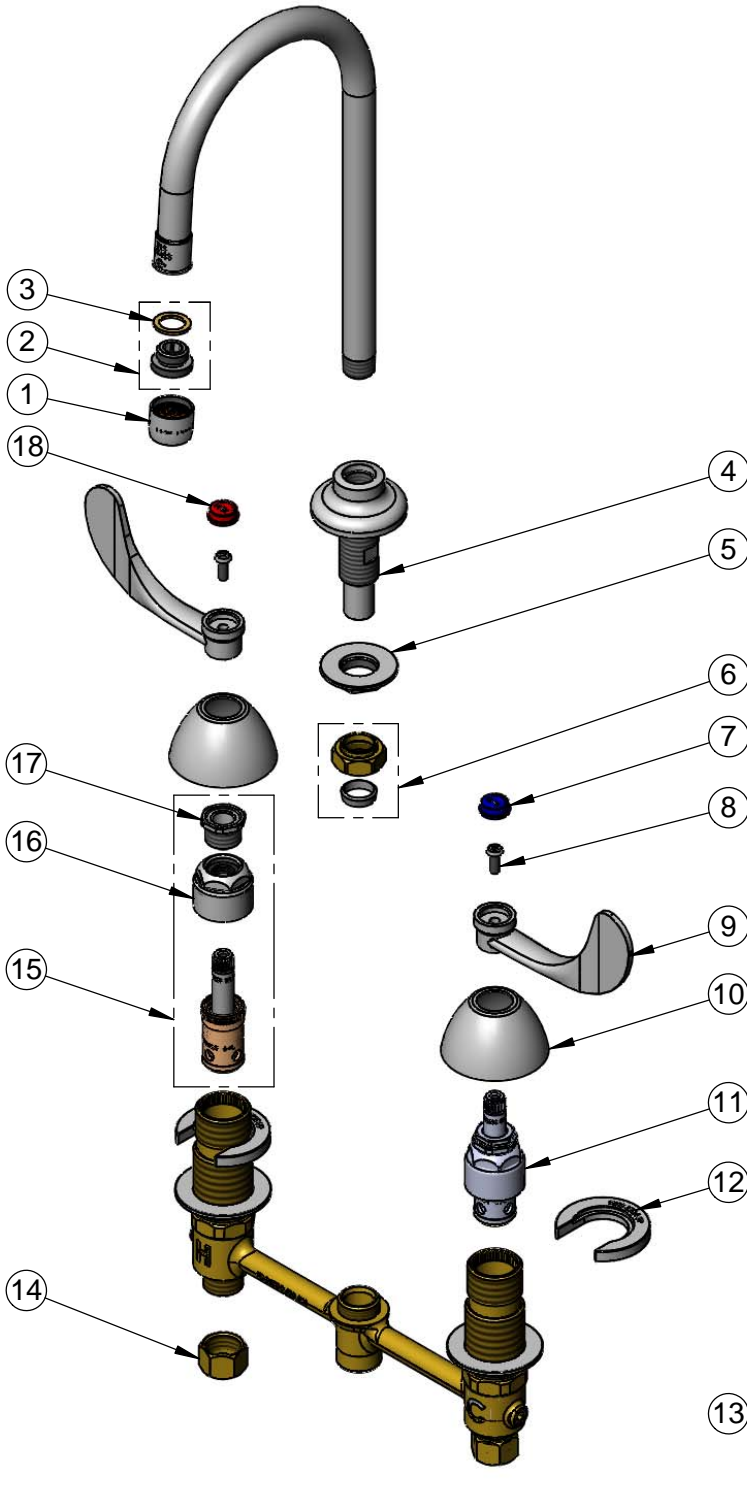
T&S BRASS AND BRONZE WORKS, INC.
 2 Saddleback Cove / P.O. Box 1088
 Travelers Rest, SC 29690

Model No.
B-2867-04-LF15

Item No.

Travelers Rest, SC: 800-476-4103 • Simi Valley, CA: 800-423-0150 • Fax: 864-834-3518 • www.tsbrass.com

ITEM NO.	SALES NO.	DESCRIPTION
1	B-0199-29	1.5 GPM Laminar Flow Device, 55/64-27 UN Female
2	044A	3/8" to Aerator Adapter
3	001043-45	Washer
4	016847-40	EasyInstall CWS Rigid Center Shank
5	016742-45	Center Flange Nut
6	016745-45	Compression Nut & Fitting
7	001686-45	Blue Index - CW
8	000925-45	Lab Handle Screw
9	B-WH4	4" Wrist Action Handle
10	001257-40	Bell Escutcheon
11	016752-40	EasyInstall CWS LTC Eterna (Teflon)
12	016749-45	Sidebody C-Washer
13	016777-45	CWS Hanger
14	000958-20	Coupling Nut
15	016753-40	EasyInstall CWS RTC Eterna (Teflon)
16	016743-25	CWS Eterna Bonnet
17	009002-25	Packing Nut
18	001194-45	Red Index - HW



017245-40
 Installation Repair Kit
 Includes #5, (2)#12, & #13

Product Specifications:
 EasyInstall 8" Concealed Widespread Mixing Faucet, Eterna Cartridges, 4" Wrist Action Handles, Rigid Gooseneck w/ 1.5 GPM Laminar Flow Device & 1/2" NPSM Coupling Nut Inlets

Product Compliance:
 ASME A112.18.1 / CSA B125.1
 NSF 61 - Section 9
 NSF 372 (Low Lead Content)
 ANSI A117.1 (ADA)