



# T&S BRASS AND BRONZE WORKS, INC.

2 Saddleback Cove / P.O. Box 1088  
Travelers Rest, SC 29690

Model No.

**B-2867-04-F05**

Item No.

Travelers Rest, SC: 800-476-4103 • Simi Valley, CA: 800-423-0150 • Fax: 864-834-3518 • www.tsbrass.com

This Space for Architect/Engineer Approval

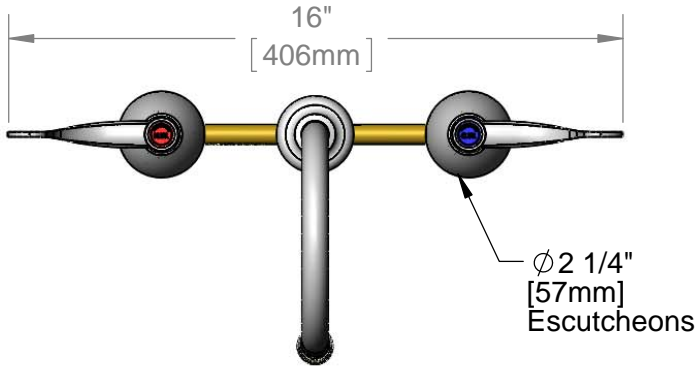
Job Name \_\_\_\_\_ Date \_\_\_\_\_

Model Specified \_\_\_\_\_ Quantity \_\_\_\_\_

Customer/Wholesaler \_\_\_\_\_

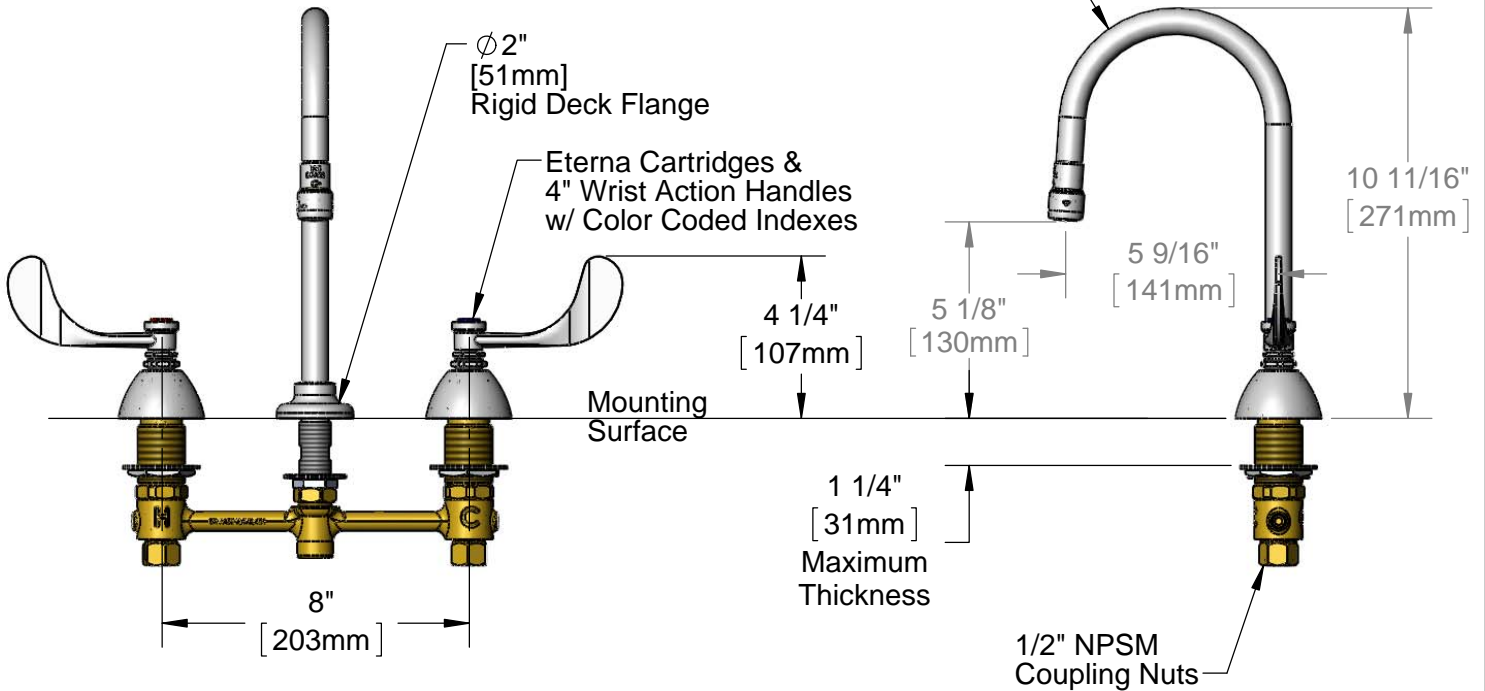
Contractor \_\_\_\_\_

Architect/Engineer \_\_\_\_\_



**ADA Compliant**

Rigid Gooseneck w/  
B-0199-01-N05  
0.5 GPM Non-Aerated  
Spray Device



### Rough-In Requirement:

Ø 1" [25mm] for Center Shank

Ø 1 1/2" [38mm] for Hot/Cold Side

### Product Specifications:

EasyInstall Faucet w/ 4" Wrist Action Handles, Eterna Cartridges,  
8" Inlet Centers & Rigid Gooseneck w/ 0.5 GPM Non-Aerated Spray Device

### Product Compliance:

ASME A112.18.1 / CSA B125.1  
NSF 61 - Section 9  
NSF 372 (Low Lead Content)  
ANSI A117.1 (ADA)



# T&S BRASS AND BRONZE WORKS, INC.

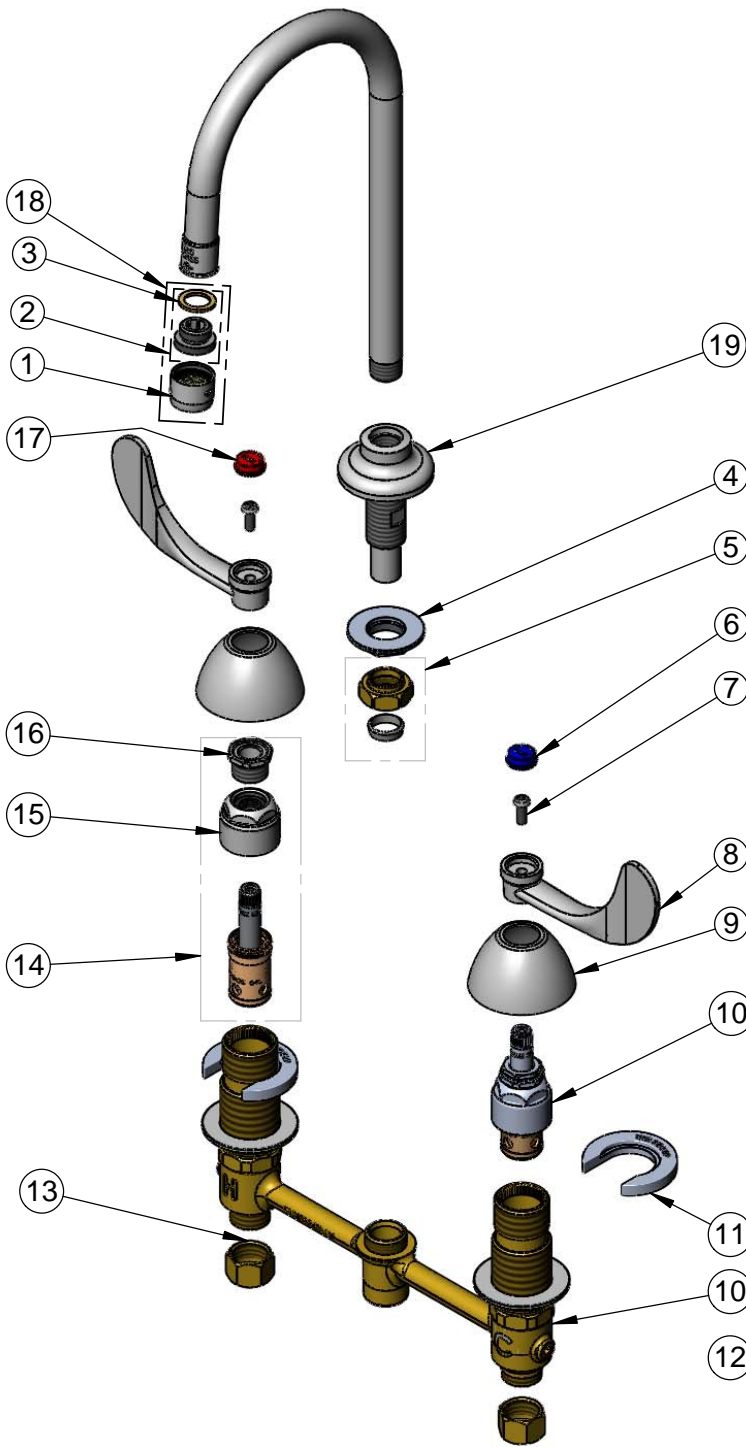
2 Saddleback Cove / P.O. Box 1088  
Travelers Rest, SC 29690

Model No.

**B-2867-04-F05**

Item No.

Travelers Rest, SC: 800-476-4103 • Simi Valley, CA: 800-423-0150 • Fax: 864-834-3518 • www.tsbrass.com



| ITEM NO. | SALES NO.     | DESCRIPTION                           |
|----------|---------------|---------------------------------------|
| 1        | B-0199-01-N05 | 0.5 GPM Spray Device, 55/64-27 Female |
| 2        | 044A          | 3/8" to Aerator Adapter               |
| 3        | 001043-45     | Washer                                |
| 4        | 016742-45     | Center Flange Nut                     |
| 5        | 016745-45     | Compression Nut & Fitting             |
| 6        | 001686-45     | Blue Index - CW                       |
| 7        | 000925-45     | Lab Handle Screw                      |
| 8        | B-WH4         | 4" Wrist Action Handle                |
| 9        | 001257-40     | Bell Escutcheon                       |
| 10       | 016752-40     | EasyInstall CWS LTC Eterna (Teflon)   |
| 11       | 016749-45     | Sidebody C-Washer                     |
| 12       | 016777-45     | CWS Hanger                            |
| 13       | 000958-20     | Coupling Nut                          |
| 14       | 016753-40     | EasyInstall CWS RTC Eterna (Teflon)   |
| 15       | 016743-25     | CWS Bonnet Assembly                   |
| 16       | 009002-25     | Packing Nut Assembly                  |
| 17       | 001194-45     | Red Index - HW                        |
| 18       | B-0199-02-N05 | 0.5 GPM Spray Device, 3/8" NPSM       |
| 19       | 016847-40     | EasyInstall CWS Rigid Center Shank    |



017245-40  
Installation Repair Kit  
Includes #4, (2)#11, & #12

**Product Specifications:**

EasyInstall Faucet w/ 4" Wrist Action Handles, Eterna Cartridges, 8" Inlet Centers & Rigid Gooseneck w/ 0.5 GPM Non-Aerated Spray Device

**Product Compliance:**

ASME A112.18.1 / CSA B125.1  
NSF 61 - Section 9  
NSF 372 (Low Lead Content)  
ANSI A117.1 (ADA)