



T&S BRASS AND BRONZE WORKS, INC.

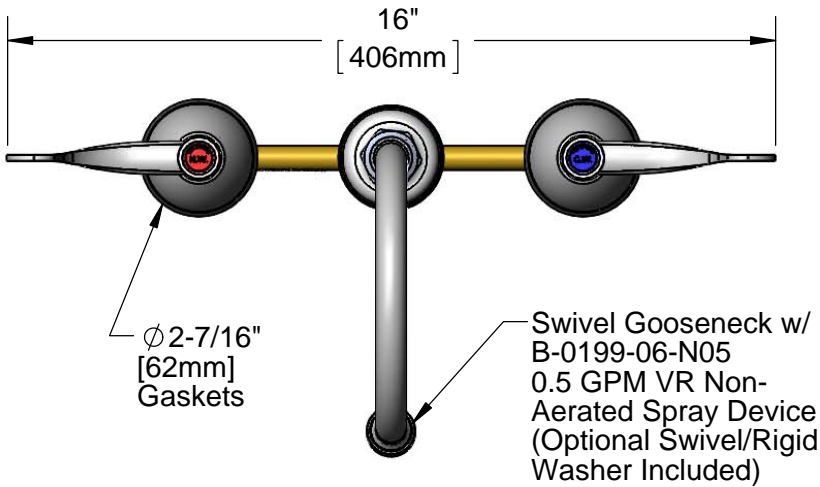
2 Saddleback Cove / P.O. Box 1088
Travelers Rest, SC 29690

Model No.

B-2866-QT-VF05G

Item No.

Travelers Rest, SC: 800-476-4103 • Simi Valley, CA: 800-423-0150 • Fax: 864-834-3518 • www.tsbrass.com



This Space for Architect/Engineer Approval

Job Name _____ Date _____

Model Specified _____ Quantity _____

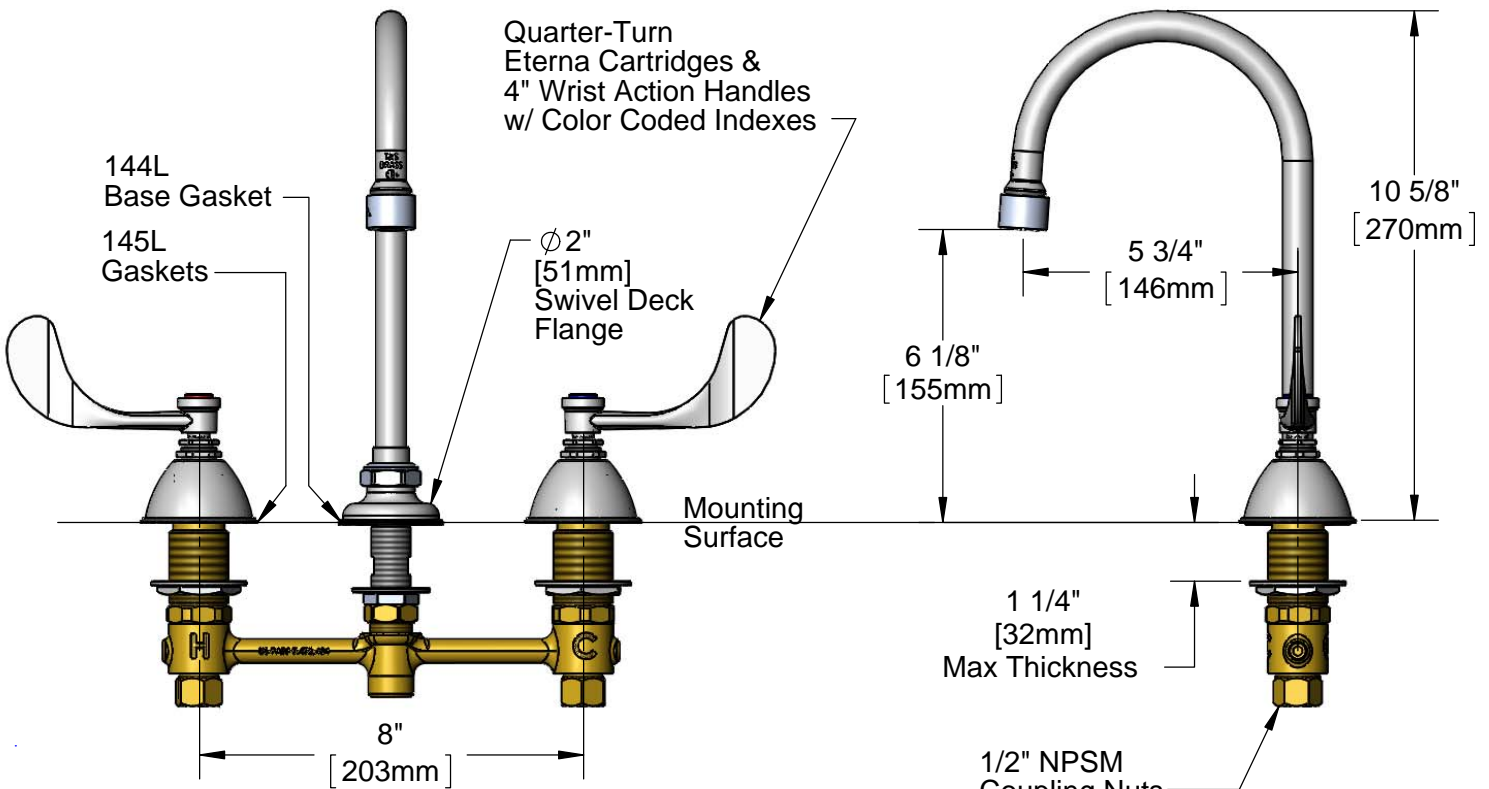
Customer/Wholesaler _____

Contractor _____

Architect/Engineer _____



ADA Compliant



Rough-In Requirement:
 Ø 1" [25mm] for Center Shank
 Ø 1 1/2" [38mm] for Hot/Cold Side

Product Specifications:
 EasyInstall 8" Concealed Widespread Mixing Faucet, Quarter-Turn Eterna Cartridges, 4" Wrist Action Handles, Swivel Gooseneck w/ 0.5 GPM VR Non-Aerated Spray Device, Gaskets & 1/2" NPSM Coupling Nut Inlets

Product Compliance:
 ASME A112.18.1 / CSA B125.1
 NSF 61 - Section 9
 NSF 372 (Low Lead Content)
 ANSI A117.1 (ADA)



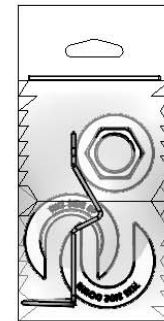
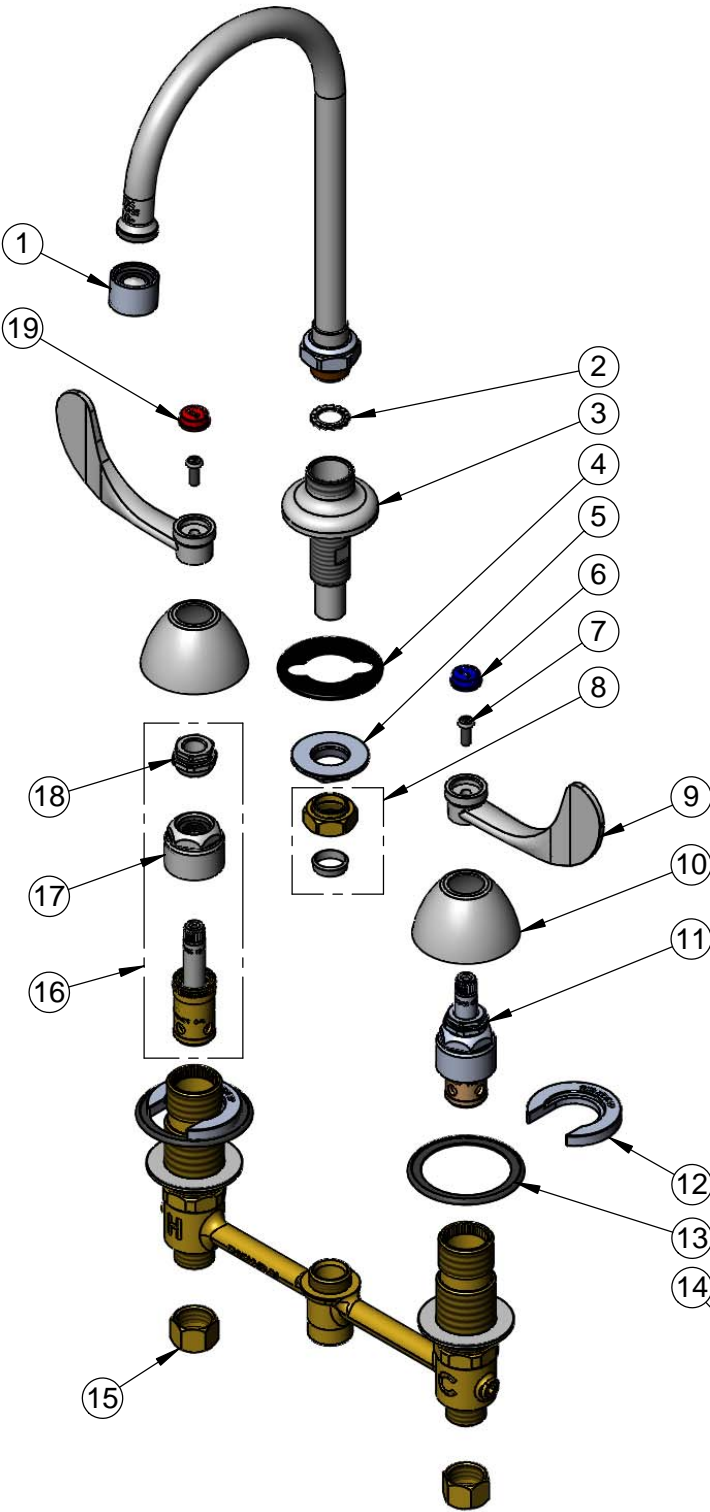
T&S BRASS AND BRONZE WORKS, INC.
 2 Saddleback Cove / P.O. Box 1088
 Travelers Rest, SC 29690

Model No.
B-2866-QT-VF05G

Item No.

Travelers Rest, SC: 800-476-4103 • Simi Valley, CA: 800-423-0150 • Fax: 864-834-3518 • www.tsbrass.com

ITEM NO.	SALES NO.	DESCRIPTION
1	B-0199-06-N05	0.5 GPM VR Non-Aerated Spray Device, 55/64-27 Female
2	014200-45	Star Washer, Anti-Rotation
3	016754-40	EasyInstall CWS Swivel Center Shank
4	144L	Black Plastic Gasket
5	016742-45	Center Flange Nut
6	001686-45	Blue Index - CW
7	000925-45	Lab Handle Screw
8	016745-45	Compression Nut & Fitting
9	B-WH4	4" Wrist Action Handle
10	001257-40	Bell Escutcheon
11	016925-40	EasyInstall CWS LTC, Quarter-Turn Eterna (Teflon)
12	016749-45	Sidebody C-Washer
13	145L	Black Plastic Gasket
14	016777-45	CWS Hanger
15	000958-20	Coupling Nut
16	016926-40	EasyInstall CWS RTC, Quarter-Turn Eterna (Teflon)
17	016743-25	CWS Bonnet Assembly
18	009002-25	Packing Nut Assembly
19	001194-45	Red Index - HW



017245-40
 Installation Repair Kit
 Includes #5, (2)#12, & #14



015425-45
 Vandal Resistant Key
 (Included)

Product Specifications:
 EasyInstall 8" Concealed Widespread Mixing Faucet, Quarter-Turn Eterna Cartridges, 4" Wrist Action Handles, Swivel Gooseneck w/ 0.5 GPM VR Non-Aerated Spray Device, Gaskets & 1/2" NPSM Coupling Nut Inlets

Product Compliance:
 ASME A112.18.1 / CSA B125.1
 NSF 61 - Section 9
 NSF 372 (Low Lead Content)
 ANSI A117.1 (ADA)