



T&S BRASS AND BRONZE WORKS, INC.

2 Saddleback Cove / P.O. Box 1088
Travelers Rest, SC 29690

Model No.

B-2866-QT-VF05

Item No.

Travelers Rest, SC: 800-476-4103 • Simi Valley, CA: 800-423-0150 • Fax: 864-834-3518 • www.tsbrass.com

This Space for Architect/Engineer Approval

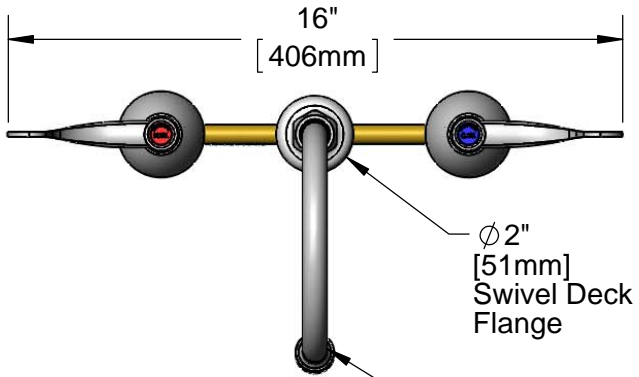
Job Name _____ Date _____

Model Specified _____ Quantity _____

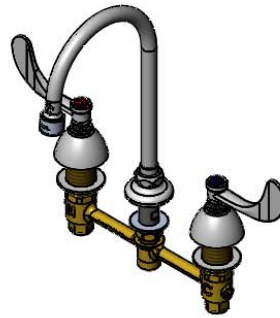
Customer/Wholesaler _____

Contractor _____

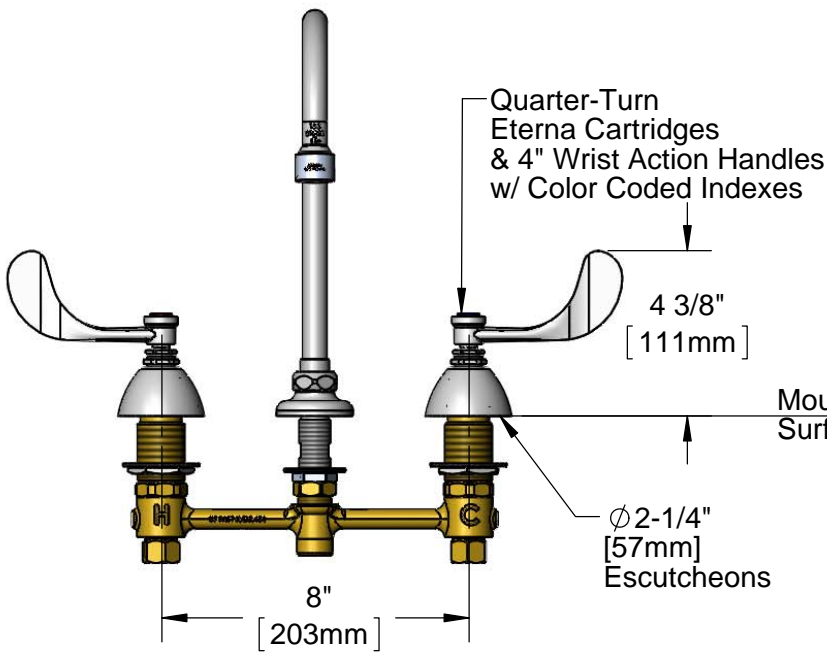
Architect/Engineer _____



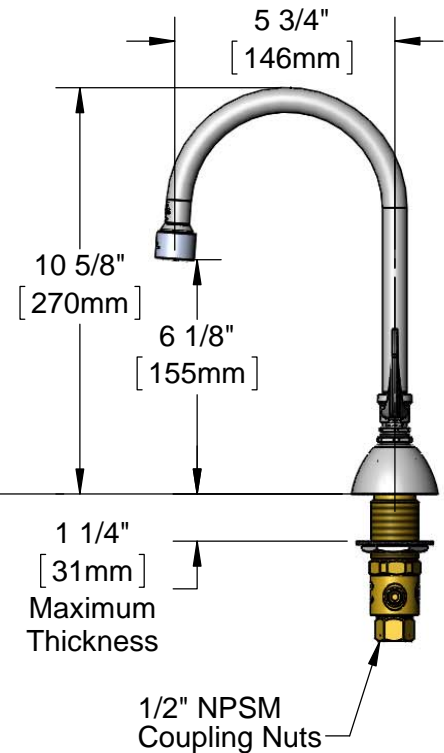
Swivel Gooseneck
w/ 0.5 GPM VR Non-
Aerated Spray Device
(Optional Swivel/Rigid
Washer Included)



ADA Compliant



Mounting
Surface



Rough-In Requirement:

Ø1" [25mm] for Center Shank

Ø1-1/2" [38mm] for Hot/Cold Side

Product Specifications:

EasyInstall 8" Concealed Mixing Faucet w/ 4" Wrist Action Handles, Quarter-Turn Eterna Cartridges & Swivel Gooseneck w/ 0.5 GPM VR Non-Aerated Spray Device

Product Compliance:

ASME A112.18.1 / CSA B125.1
NSF 61 - Section 9
NSF 372 (Low Lead Content)
ANSI A117.1 (ADA)



T&S BRASS AND BRONZE WORKS, INC.

2 Saddleback Cove / P.O. Box 1088
Travelers Rest, SC 29690

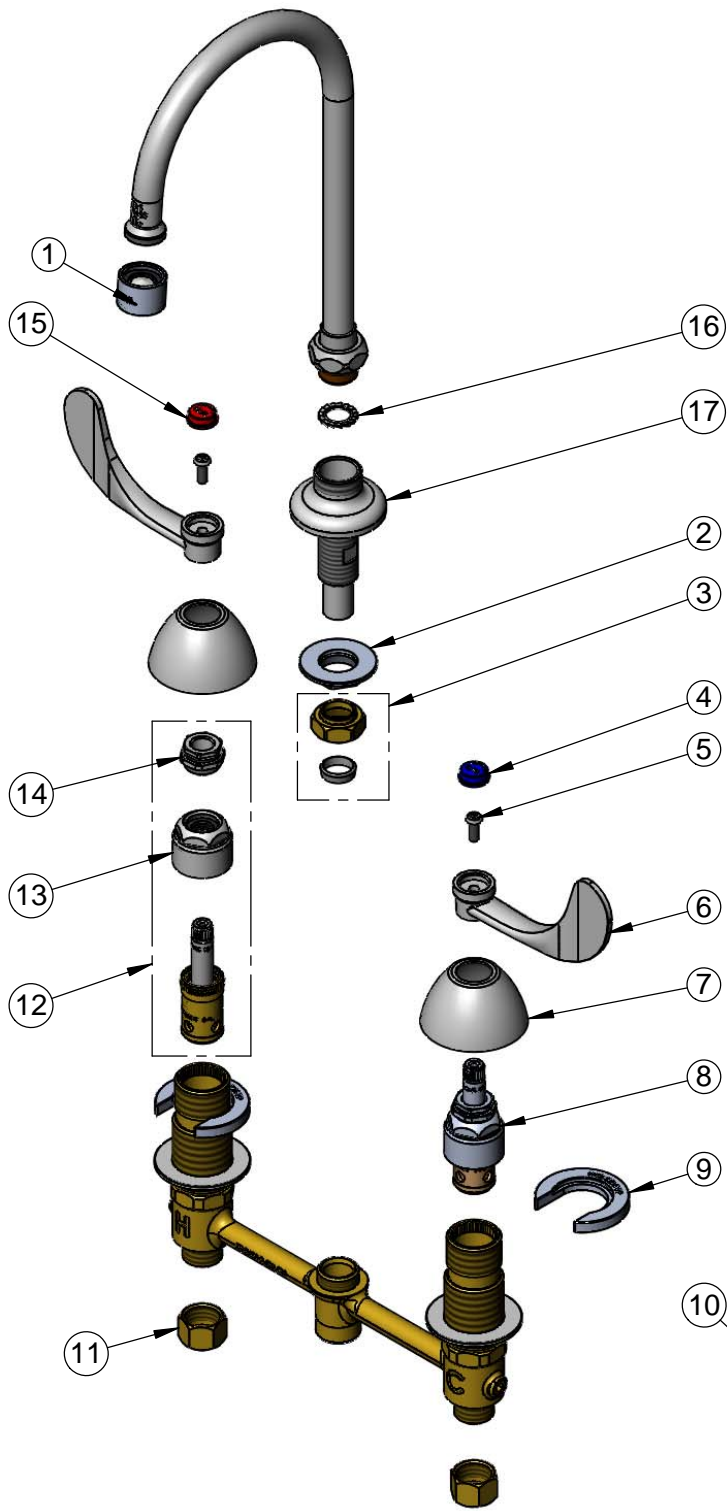
Model No.

B-2866-QT-VF05

Item No.

Travelers Rest, SC: 800-476-4103 • Simi Valley, CA: 800-423-0150 • Fax: 864-834-3518 • www.tsbrass.com

ITEM NO.	SALES NO.	DESCRIPTION
1	B-0199-06-N05	0.5 GPM VR Non-Aerated Spray Device, 55/64-27 Female
2	016742-45	Center Flange Nut
3	016745-45	Compression Nut & Fitting
4	001686-45	Blue Index - CW
5	000925-45	Lab Handle Screw
6	B-WH4	4" Wrist Action Handle
7	001257-40	Bell Escutcheon
8	016925-40	1/4 Turn LTC Eterna (Teflon)
9	016749-45	Sidebody C-Washer
10	016777-45	CWS Hanger
11	000958-20	Coupling Nut
12	016926-40	EasyInstall Quarter-Turn RTC Eterna (Teflon)
13	016743-25	CWS Bonnet
14	009002-25	Packing Nut
15	001194-45	Red Index - HW
16	014200-45	Star Washer, Anti-Rotation
17	016754-40	EasyInstall CWS Swivel Center Shank



017245-40
Installation Repair Kit
Includes #2, (2)#9, & #10



015425-45
Vandal Resistant Key

Product Specifications:

EasyInstall 8" Concealed Mixing Faucet w/ 4" Wrist Action Handles, Quarter-Turn Eterna Cartridges & Swivel Gooseneck w/ 0.5 GPM VR Non-Aerated Spray Device

Product Compliance:

ASME A112.18.1 / CSA B125.1
NSF 61 - Section 9
NSF 372 (Low Lead Content)
ANSI A117.1 (ADA)