



**T&S BRASS AND BRONZE WORKS, INC.**  
 2 Saddleback Cove / P.O. Box 1088  
 Travelers Rest, SC 29690

Model No.  
**B-2866-LF16-WH4**

Item No.

Travelers Rest, SC: 800-476-4103 • Simi Valley, CA: 800-423-0150 • Fax: 864-834-3518 • www.tsbrass.com



**ADA Compliant**

This Space for Architect/Engineer Approval

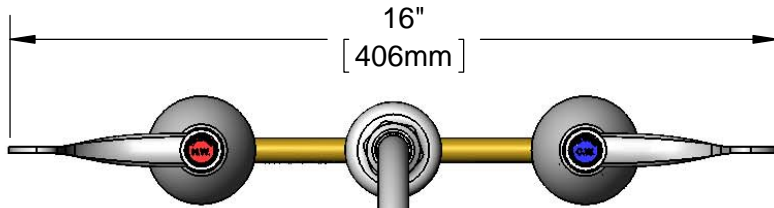
Job Name \_\_\_\_\_ Date \_\_\_\_\_

Model Specified \_\_\_\_\_ Quantity \_\_\_\_\_

Customer/Wholesaler \_\_\_\_\_

Contractor \_\_\_\_\_

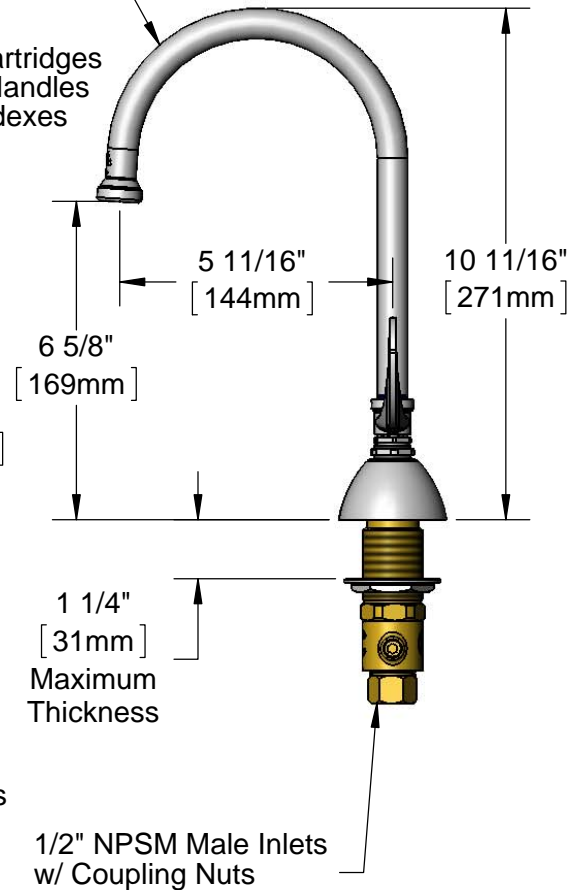
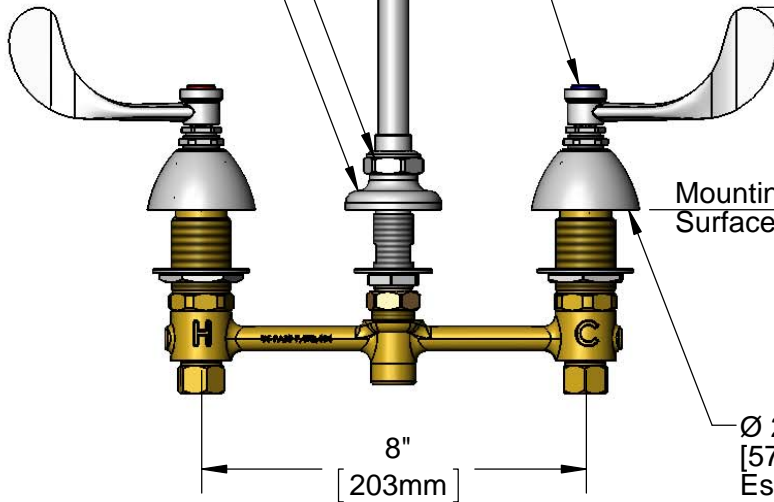
Architect/Engineer \_\_\_\_\_



133X  
 Swivel Gooseneck w/  
 Stream Regulator Outlet.  
 Rigid Conversion Requires  
 014200-45 Lock Washer  
 (Included)

Swivel Joint  
 Ø 2"  
 [51mm]  
 Swivel Deck  
 Flange w/  
 1.6 GPM  
 Flow Control

1/4 Turn Eterna Cartridges  
 & 4" Wrist Action Handles  
 w/ Color Coded Indexes



**Rough-In Requirement:**  
 Center Shank: Ø 1" [25mm] Mounting Hole  
 Hot/Cold Bodies: Ø 1 1/2" [38mm] Mounting Holes

**Product Specifications:**  
 8" Deck Mount EasyInstall Mixing Faucet, 1/4 Turn Eterna Cartridges, 4" Wrist Action Handles, Swivel Gooseneck, Stream Regulator Outlet, 1.6 GPM Flow Control & 1/2" NPSM Male Inlets

**Product Compliance:**  
 ASME A112.18.1 / CSA B125.1  
 NSF 61 - Section 9  
 NSF 372 (Low Lead Content)  
 ANSI A117.1 (ADA)



# T&S BRASS AND BRONZE WORKS, INC.

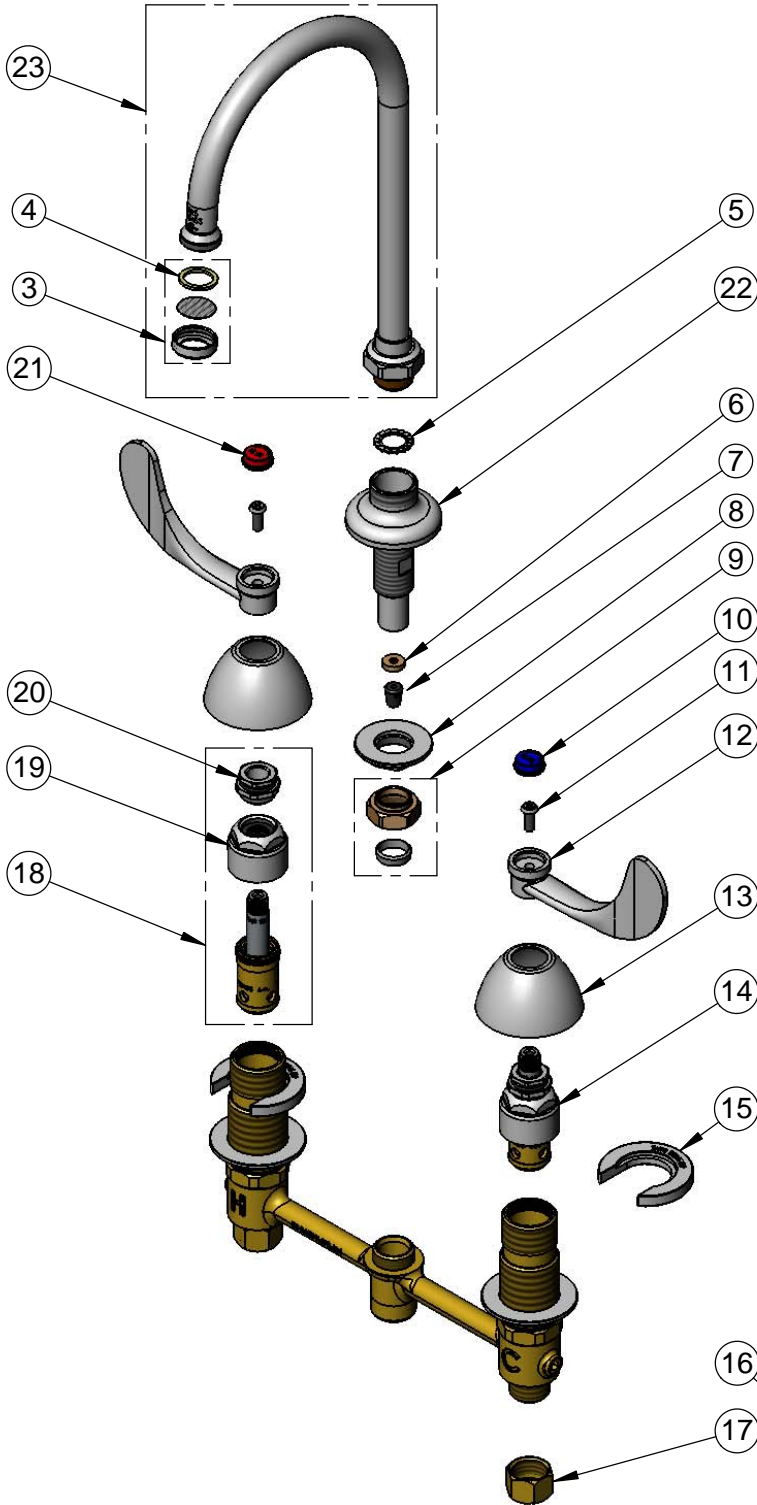
2 Saddleback Cove / P.O. Box 1088  
Travelers Rest, SC 29690

Model No.

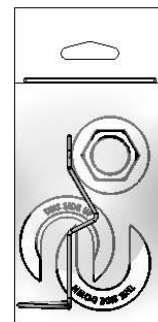
**B-2866-LF16-WH4**

Item No.

Travelers Rest, SC: 800-476-4103 • Simi Valley, CA: 800-423-0150 • Fax: 864-834-3518 • www.tsbrass.com



ITEM NO.	SALES NO.	DESCRIPTION
3	B-PT	Stream Regulator Outlet
4	001048-45	Nozzle Tip Washer
5	014200-45	Star Washer, Anti-Rotation
6	009069-45	Flow Control Holder
7	016232-45	Flow Tower, 1.6 GPM
8	016742-45	Center Flange Nut
9	016745-45	Compression Nut & Fitting
10	001686-45	Blue Index - CW
11	000925-45	Lab Handle Screw
12	B-WH4	4" Wrist Action Handle
13	001257-40	Bell Escutcheon
14	016925-40	EasyInstall CWS LTC, 1/4 Turn Eterna (Teflon)
15	016749-45	Sidebody C-Washer
16	016777-45	CWS Hanger
17	000958-20	Coupling Nut
18	016926-40	EasyInstall CWS RTC, 1/4 Turn Eterna (Teflon)
19	016743-25	CWS Eterna Bonnet
20	009002-25	Packing Nut
21	001194-45	Red Index - HW
22	016754-40	EasyInstall CWS Swivel Center Shank
23	133X	6" Swivel Gooseneck



017245-40  
Installation Repair Kit  
Includes #8, (2)#15 & #16

**Product Specifications:**

8" Deck Mount EasyInstall Mixing Faucet, 1/4 Turn Eterna Cartridges, 4" Wrist Action Handles, Swivel Gooseneck, Stream Regulator Outlet, 1.6 GPM Flow Control & 1/2" NPSM Male Inlets

**Product Compliance:**

ASME A112.18.1 / CSA B125.1  
NSF 61 - Section 9  
NSF 372 (Low Lead Content)  
ANSI A117.1 (ADA)