



T&S BRASS AND BRONZE WORKS, INC.

2 Saddleback Cove / P.O. Box 1088
Travelers Rest, SC 29690

Model No.

B-2866-CR

Item No.

Travelers Rest, SC: 800-476-4103 • Simi Valley, CA: 800-423-0150 • Fax: 864-834-3518 • www.tsbrass.com

This Space for Architect/Engineer Approval

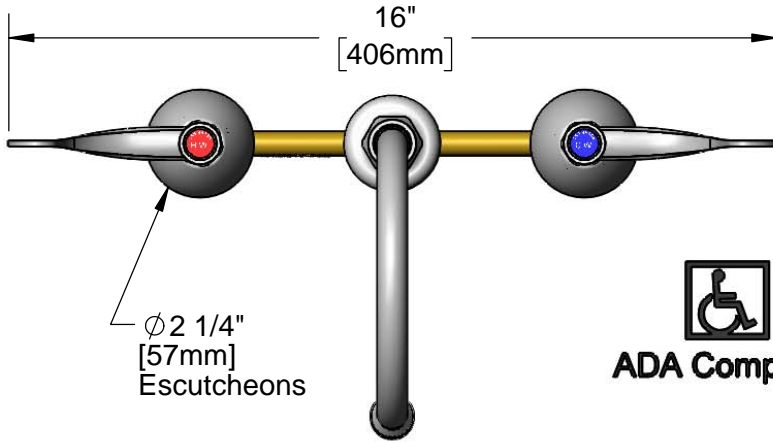
Job Name _____ Date _____

Model Specified _____ Quantity _____

Customer/Wholesaler _____

Contractor _____

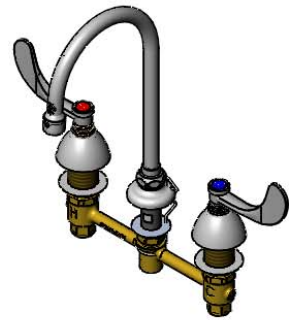
Architect/Engineer _____



Ø 2 1/4"
[57mm]
Escutcheons



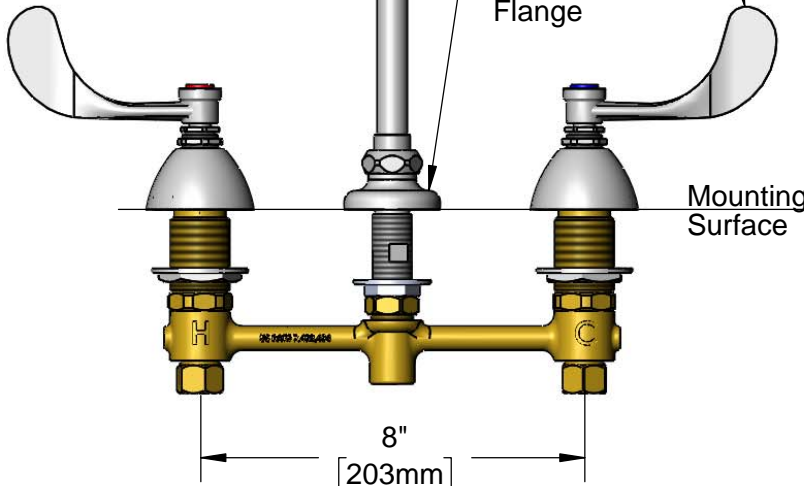
ADA Compliant



133-A22
Swivel Gooseneck w/
2.2 GPM Aerator. Rigid
Conversion Requires
014200-45 Lock Washer
(Included)

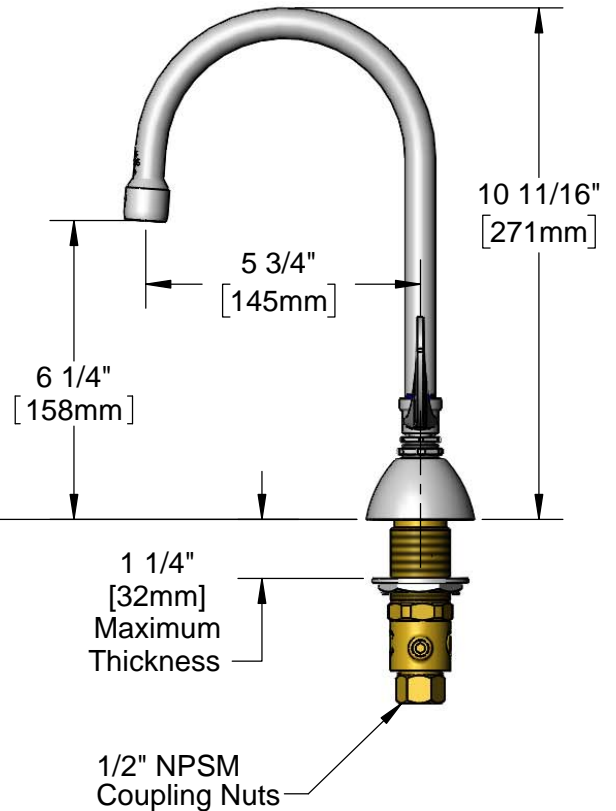
Quarter-Turn Cerama
Cartridges & 4" Wrist
Action Handles w/ Color
Coded Indexes

Ø 2"
[51mm]
Swivel Deck
Flange



Mounting
Surface

8"
[203mm]



10 11/16"
[271mm]

5 3/4"
[145mm]

6 1/4"
[158mm]

1 1/4"
[32mm]
Maximum
Thickness

1/2" NPSM
Coupling Nuts

Rough-In Requirement:
Ø 1" [25mm] for Center Shank
Ø 1 1/2" [38mm] for Hot/Cold Side

Product Specifications:

EasyInstall 8" Concealed Widespread Mixing Faucet, Cerama Cartridges, 4" Wrist Action Handles, Swivel Gooseneck w/ 2.2 GPM Aerator & 1/2" NPSM Coupling Nut Inlets

Product Compliance:

ASME A112.18.1 / CSA B125.1
NSF 61 - Section 9
NSF 372 (Low Lead Content)
ANSI A117.1 (ADA)



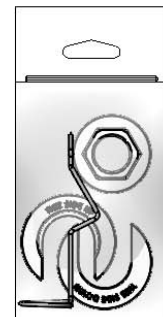
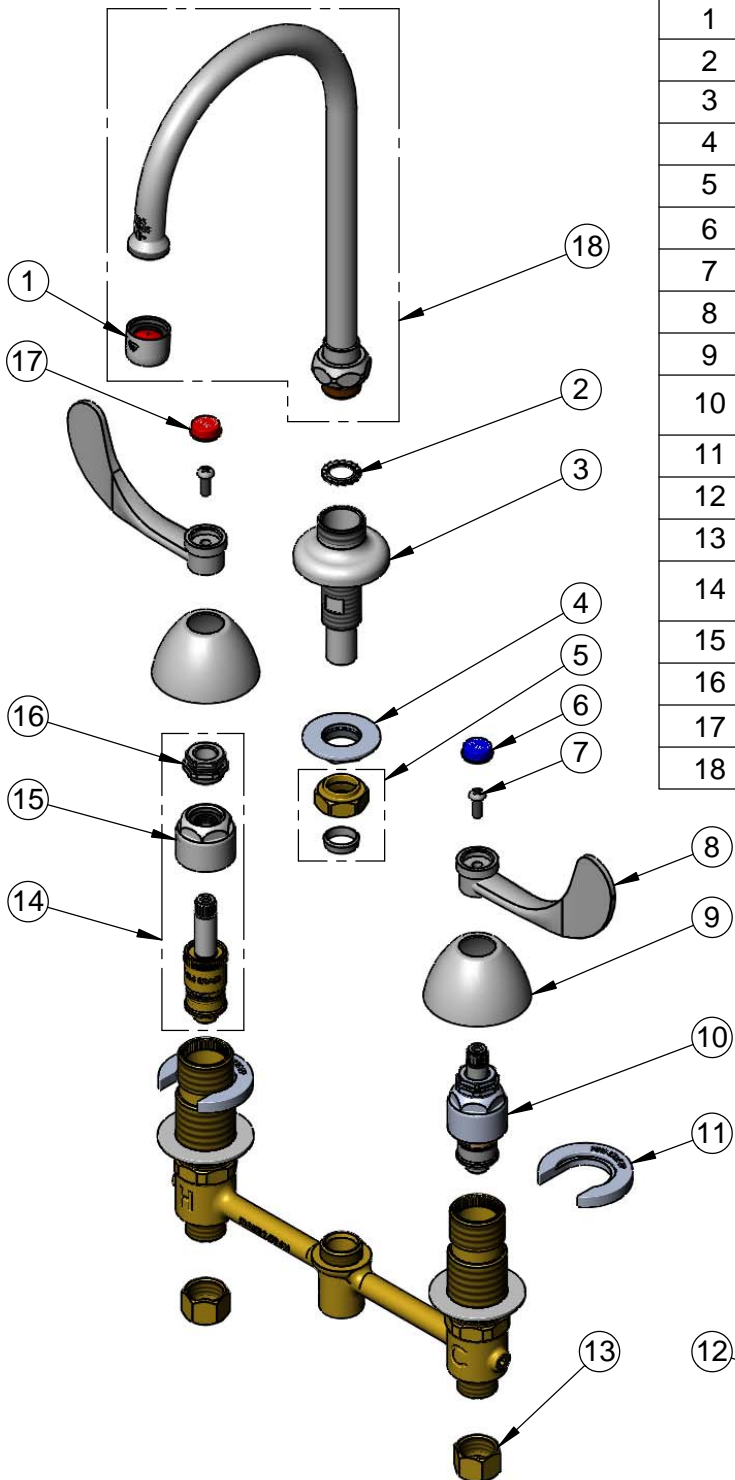
T&S BRASS AND BRONZE WORKS, INC.
 2 Saddleback Cove / P.O. Box 1088
 Travelers Rest, SC 29690

Model No.
B-2866-CR

Item No.

Travelers Rest, SC: 800-476-4103 • Simi Valley, CA: 800-423-0150 • Fax: 864-834-3518 • www.tsbrass.com

ITEM NO.	SALES NO.	DESCRIPTION
1	B-0199-01	2.2 GPM Aerator, 55/64"-27 UN Female
2	014200-45	Star Washer, Anti-Rotation
3	016754-40	EasyInstall CWS Swivel Center Shank
4	016742-45	Center Flange Nut
5	016745-45	Compression Nut & Fitting
6	001686-45	Blue Index - CW
7	000925-45	Lab Handle Screw
8	B-WH4	4" Wrist Action Handle
9	001257-40	Bell Escutcheon
10	016768-25	EasyInstall CWS LTC Quarter-Turn Cerama
11	016749-45	Sidebody C-Washer
12	016777-45	CWS Hanger
13	000958-20	Coupling Nut
14	016767-25	EasyInstall CWS RTC Quarter-Turn Cerama
15	016743-25	CWS Bonnet Assembly
16	009002-25	Packing Nut Assembly
17	001194-45	Red Index - HW
18	133X-A22	6" Swivel Gooseneck w/ 2.2 GPM Aerator



017245-40
 Installation Repair Kit
 Includes #4, (2)#11, & #12

Product Specifications:
 EasyInstall 8" Concealed Widespread Mixing Faucet, Cerama Cartridges, 4" Wrist Action Handles, Swivel Gooseneck w/ 2.2 GPM Aerator & 1/2" NPSM Coupling Nut Inlets

Product Compliance:
 ASME A112.18.1 / CSA B125.1
 NSF 61 - Section 9
 NSF 372 (Low Lead Content)
 ANSI A117.1 (ADA)