



T&S BRASS AND BRONZE WORKS, INC.
 2 Saddleback Cove / P.O. Box 1088
 Travelers Rest, SC 29690

Model No.
B-2866-05VRS

Item No.

Travelers Rest, SC: 800-476-4103 • Simi Valley, CA: 800-423-0150 • Fax: 864-834-3518 • www.tsbrass.com



ADA Compliant

This Space for Architect/Engineer Approval

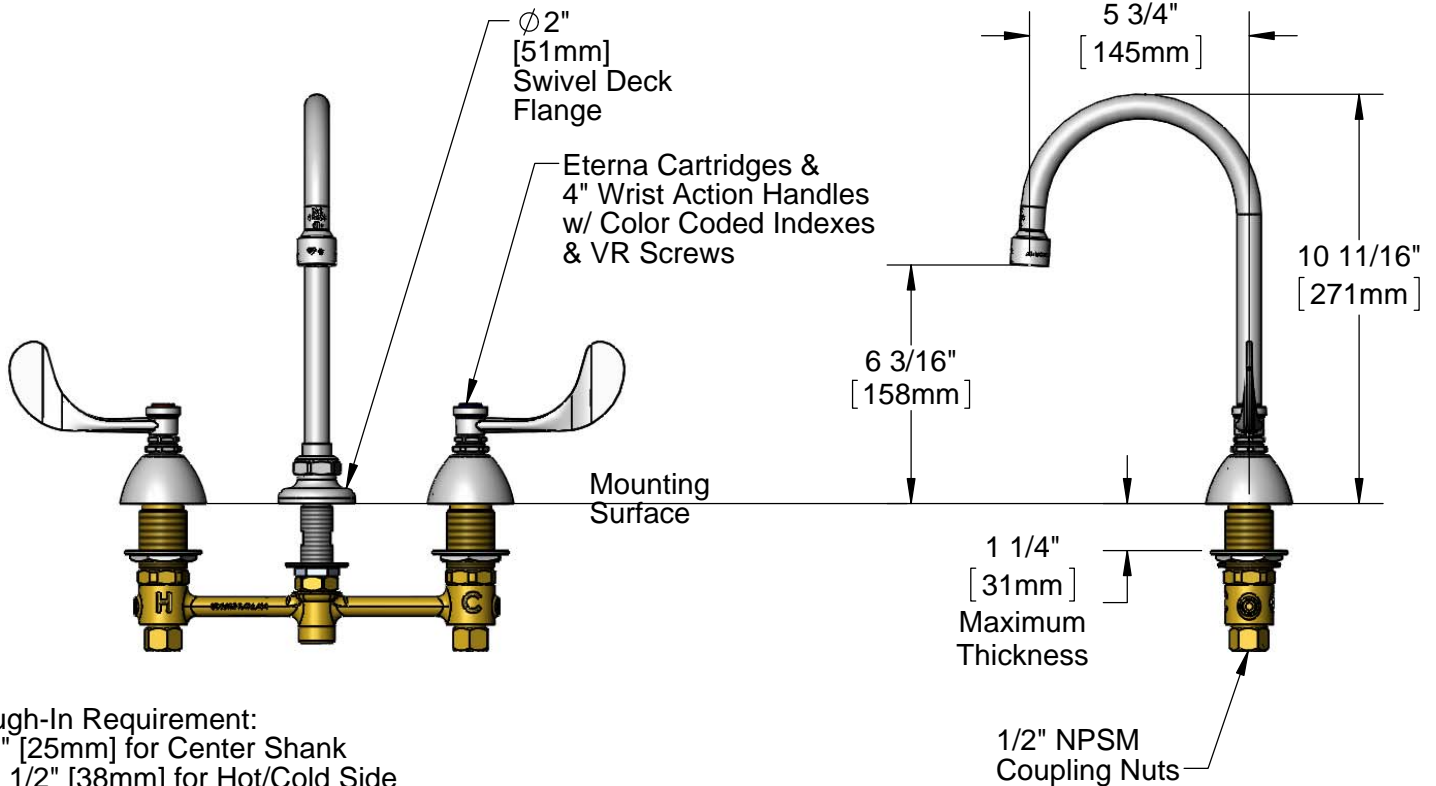
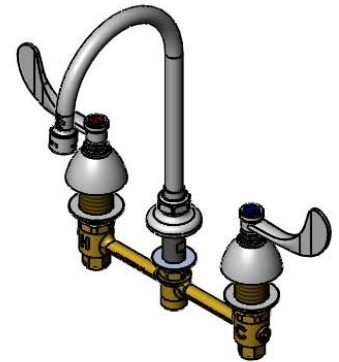
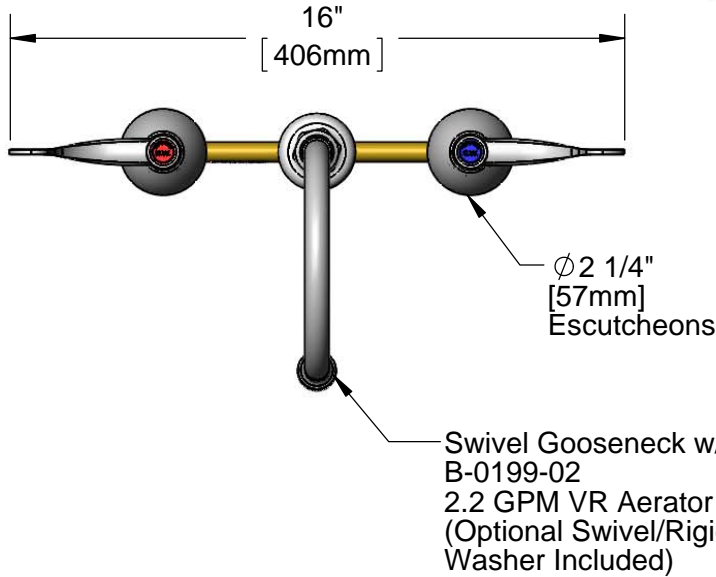
Job Name _____ Date _____

Model Specified _____ Quantity _____

Customer/Wholesaler _____

Contractor _____

Architect/Engineer _____



Rough-In Requirement:
 Ø 1" [25mm] for Center Shank
 Ø 1 1/2" [38mm] for Hot/Cold Side

Product Specifications:
 EasyInstall 8" Concealed Widespread Mixing Faucet, Eterna cartridges, 4" Wrist Action Handles w/ VR Screws, Swivel Gooseneck w/ 2.2 GPM VR Aerator & 1/2" NPSM Coupling Nut Inlets

Product Compliance:
 ASME A112.18.1 / CSA B125.1
 NSF 61 - Section 9
 NSF 372 (Low Lead Content)
 ANSI A117.1 (ADA)

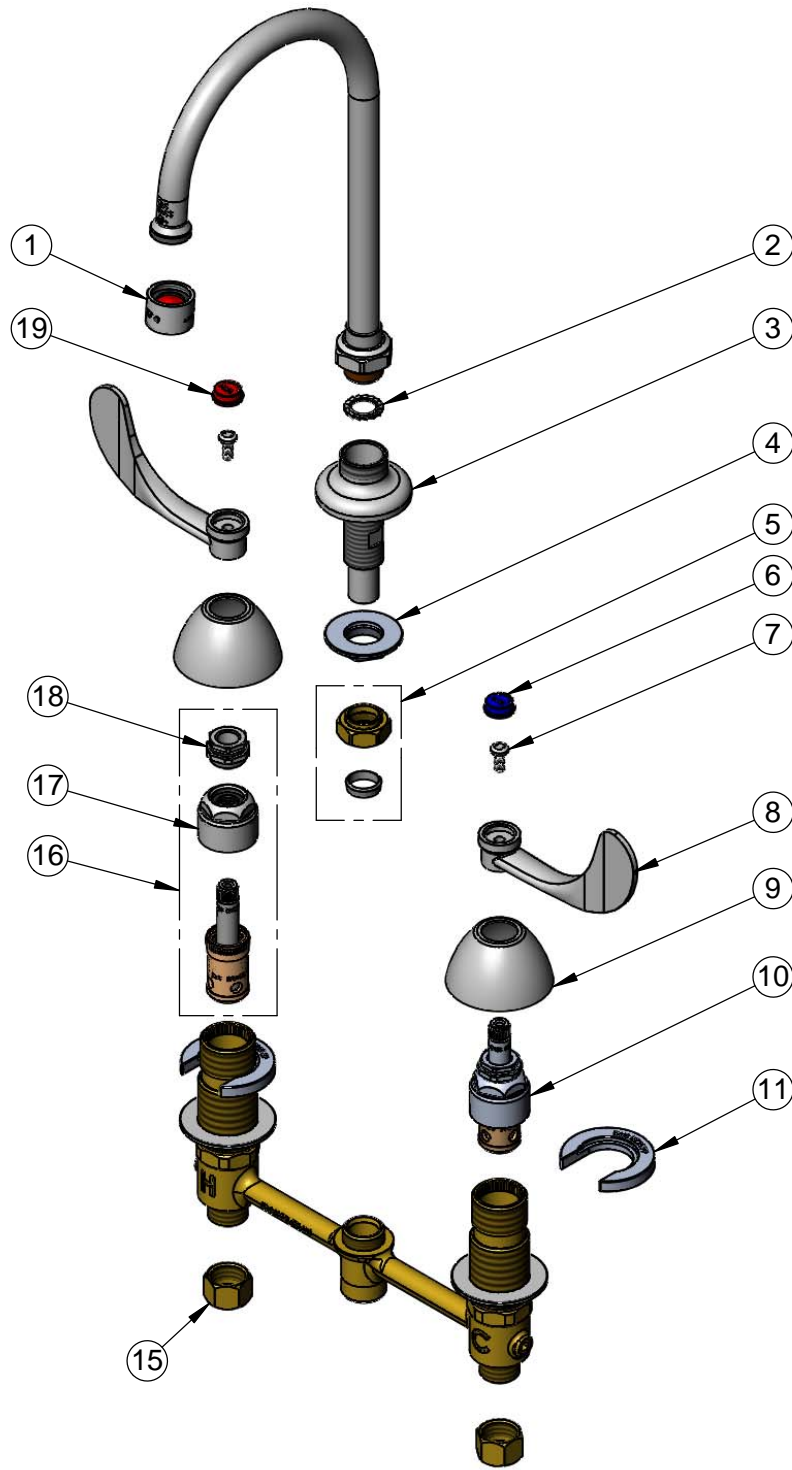


T&S BRASS AND BRONZE WORKS, INC.
 2 Saddleback Cove / P.O. Box 1088
 Travelers Rest, SC 29690

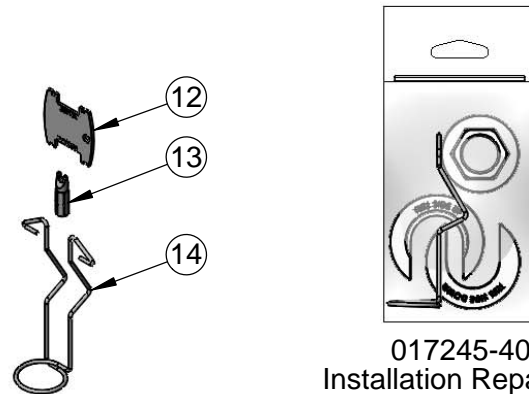
Model No.
B-2866-05VRS

Item No.

Travelers Rest, SC: 800-476-4103 • Simi Valley, CA: 800-423-0150 • Fax: 864-834-3518 • www.tsbrass.com



ITEM NO.	SALES NO.	DESCRIPTION
1	B-0199-06	VR 2.2 GPM Aerator, 55/64" Female
2	014200-45	Star Washer, Anti-Rotation
3	016754-40	EasyInstall CWS Swivel Center Shank
4	016742-45	Center Flange Nut
5	016745-45	Compression Nut & Fitting
6	001686-45	Blue Index - CW
7	VRS-2	VR Screw w/ Spanner Bit
8	B-WH4	4" Wrist Action Handle
9	001257-40	Bell Escutcheon
10	016752-40	EasyInstall CWS LTC Eterna (Teflon)
11	016749-45	Sidebody C-Washer
12	015425-45	Vandal Resistant Key
13	014075-45	#10 Spanner Bit
14	016777-45	CWS Hanger
15	000958-20	Coupling Nut
16	016753-40	EasyInstall CWS RTC Eterna (Teflon)
17	016743-25	CWS Bonnet Assembly
18	009002-25	Packing Nut Assembly
19	001194-45	Red Index - HW



017245-40
 Installation Repair Kit
 Includes #4, (2)#11, & #14

Product Specifications:
 EasyInstall 8" Concealed Widespread Mixing Faucet, Eterna cartridges, 4" Wrist Action Handles w/ VR Screws, Swivel Gooseneck w/ 2.2 GPM VR Aerator & 1/2" NPSM Coupling Nut Inlets

Product Compliance:
 ASME A112.18.1 / CSA B125.1
 NSF 61 - Section 9
 NSF 372 (Low Lead Content)
 ANSI A117.1 (ADA)