



T&S BRASS AND BRONZE WORKS, INC.

2 Saddleback Cove / P.O. Box 1088
Travelers Rest, SC 29690

Model No.

B-2866-05FC12

Item No.

Travelers Rest, SC: 800-476-4103 • Simi Valley, CA: 800-423-0150 • Fax: 864-834-3518 • www.tsbrass.com



ADA Compliant

This Space for Architect/Engineer Approval

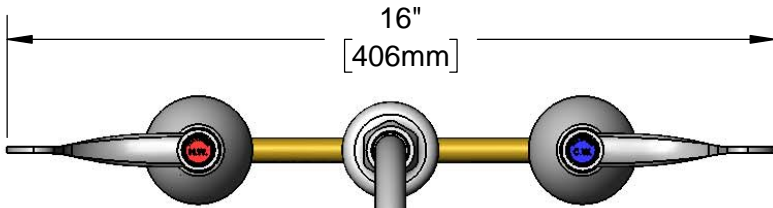
Job Name _____ Date _____

Model Specified _____ Quantity _____

Customer/Wholesaler _____

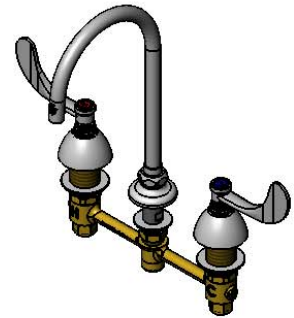
Contractor _____

Architect/Engineer _____



16"
[406mm]

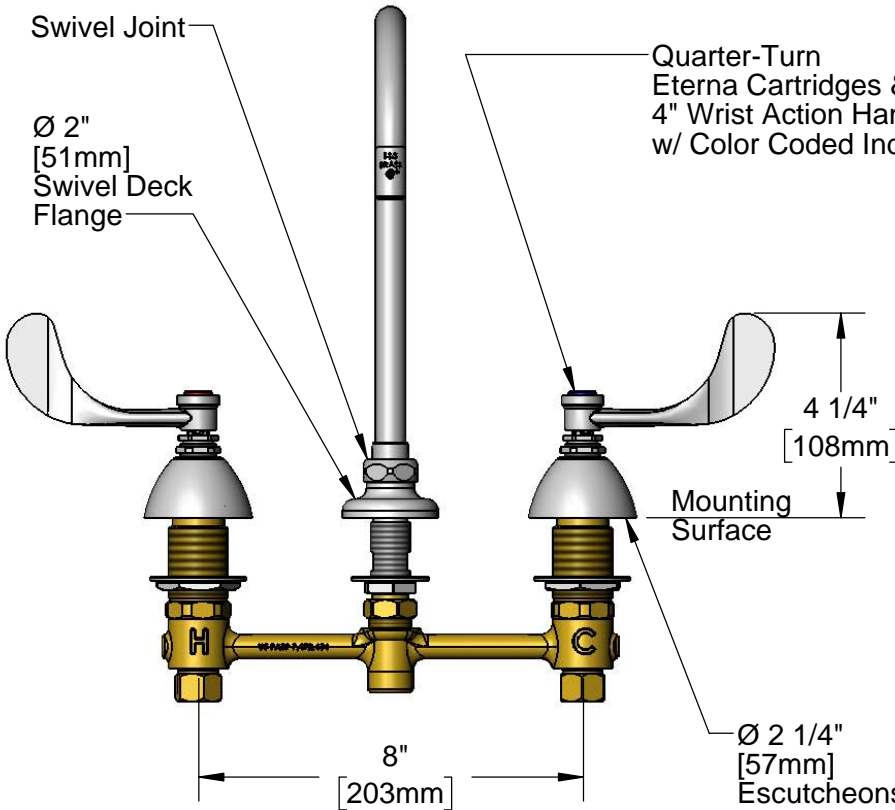
133XP-F12
Swivel Gooseneck w/
Plain End Outlet & 1.2
GPM Flow Control.
Rigid Conversion Requires
014200-45 Lock Washer
(Included)



Swivel Joint

Ø 2"
[51mm]
Swivel Deck
Flange

Quarter-Turn
Eterna Cartridges &
4" Wrist Action Handles
w/ Color Coded Indexes

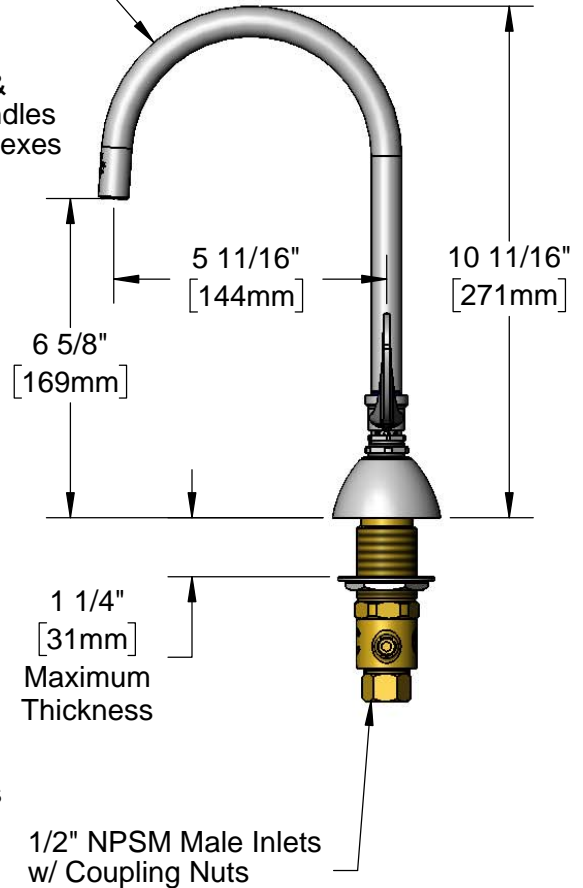


4 1/4"
[108mm]

Mounting
Surface

8"
[203mm]

Ø 2 1/4"
[57mm]
Escutcheons



5 11/16"
[144mm]

10 11/16"
[271mm]

6 5/8"
[169mm]

1 1/4"
[31mm]
Maximum
Thickness

1/2" NPSM Male Inlets
w/ Coupling Nuts

Rough-In Requirement:
Center Shank: Ø 1" [25mm] Mounting Hole
Hot/Cold Bodies: Ø 1 1/2" [38mm] Mounting Holes

Product Specifications:
8" Deck Mount EasyInstall Mixing Faucet, Quarter-Turn Eterna Cartridges,
4" Wrist Action Handles, Swivel Gooseneck, Plain End Outlet, 1.2 GPM
Flow Control & 1/2" NPSM Male Inlets

Product Compliance:
ASME A112.18.1 / CSA B125.1
NSF 61 - Section 9
NSF 372 (Low Lead Content)
ANSI A117.1 (ADA)
EPA WaterSense



T&S BRASS AND BRONZE WORKS, INC.

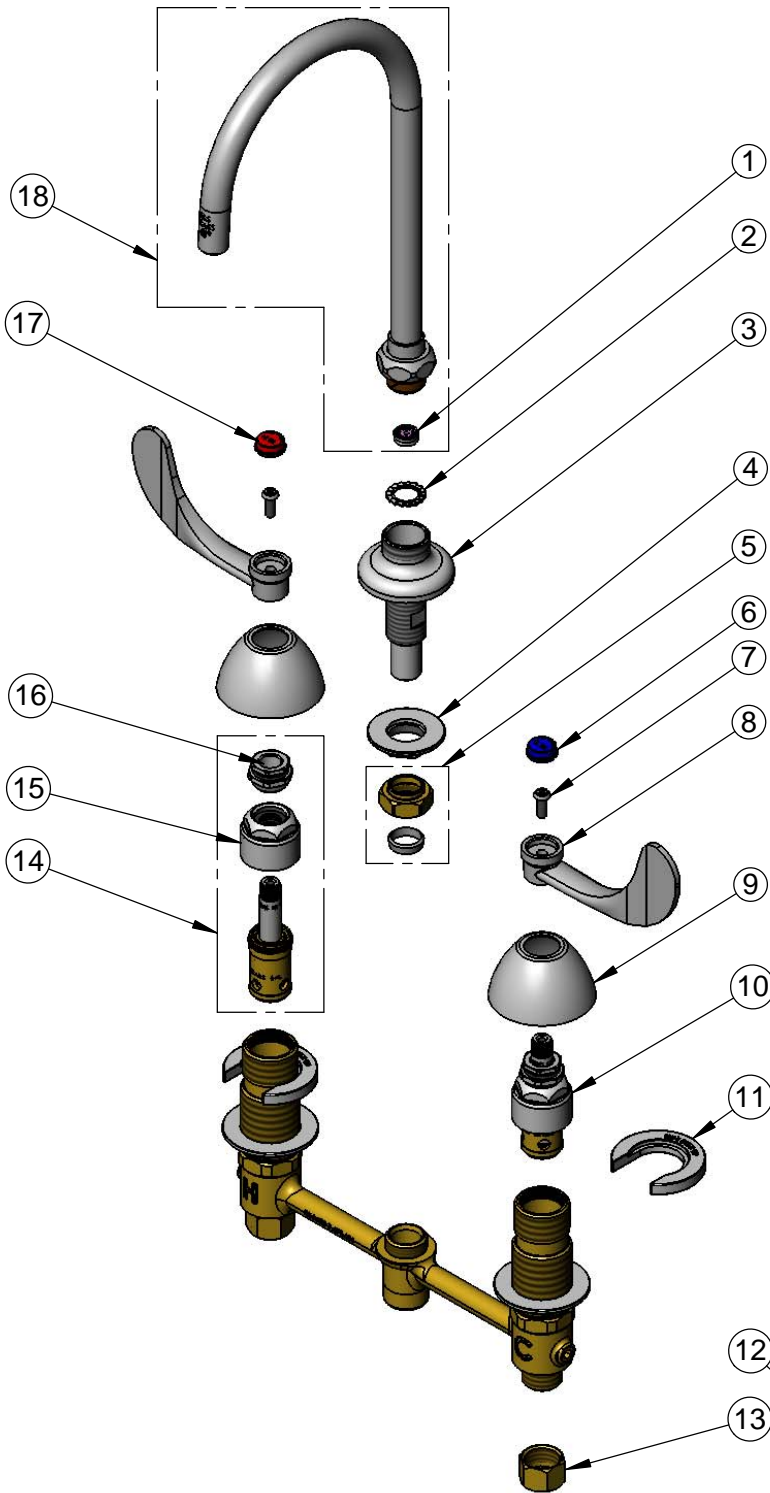
2 Saddleback Cove / P.O. Box 1088
Travelers Rest, SC 29690

Model No.

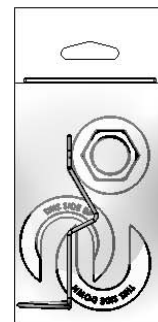
B-2866-05FC12

Item No.

Travelers Rest, SC: 800-476-4103 • Simi Valley, CA: 800-423-0150 • Fax: 864-834-3518 • www.tsbrass.com



ITEM NO.	SALES NO.	DESCRIPTION
1	FD12	Flow Disc, 1.2 GPM [4.5 L/min.]
2	014200-45	Star Washer, Anti-Rotation
3	016754-40	EasyInstall CWS Swivel Center Shank
4	016742-45	Center Flange Nut
5	016745-45	Compression Nut & Fitting
6	001686-45	Blue Index - CW
7	000925-45	Lab Handle Screw
8	B-WH4	4" Wrist Action Handle
9	001257-40	Bell Escutcheon
10	016925-40	Quarter-Turn EasyInstall CWS LTC Eterna (Teflon)
11	016749-45	Sidebody C-Washer
12	016777-45	CWS Hanger
13	000958-20	Coupling Nut
14	016926-40	Quarter-Turn EasyInstall CWS RTC Eterna (Teflon)
15	016743-25	CWS Eterna Bonnet
16	009002-25	Packing Nut
17	001194-45	Red Index - HW
18	133XP-F12	6" Plain End Swivel Gooseneck w/ 1.2 GPM Flow Disc



017245-40
Installation Repair Kit
Includes #4, (2)#11 & #12

Product Specifications:

8" Deck Mount EasyInstall Mixing Faucet, Quarter-Turn Eterna Cartridges, 4" Wrist Action Handles, Swivel Gooseneck, Plain End Outlet, 1.2 GPM Flow Control & 1/2" NPSM Male Inlets

Product Compliance:

ASME A112.18.1 / CSA B125.1
NSF 61 - Section 9
NSF 372 (Low Lead Content)
ANSI A117.1 (ADA)
EPA WaterSense