

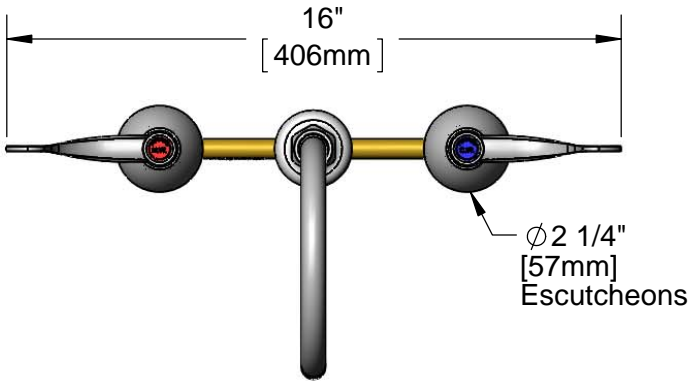


**T&S BRASS AND BRONZE WORKS, INC.**  
 2 Saddleback Cove / P.O. Box 1088  
 Travelers Rest, SC 29690

Model No.  
**B-2866-05FC-PV**

Item No.

Travelers Rest, SC: 800-476-4103 • Simi Valley, CA: 800-423-0150 • Fax: 864-834-3518 • www.tsbrass.com



This Space for Architect/Engineer Approval

Job Name \_\_\_\_\_ Date \_\_\_\_\_

Model Specified \_\_\_\_\_ Quantity \_\_\_\_\_

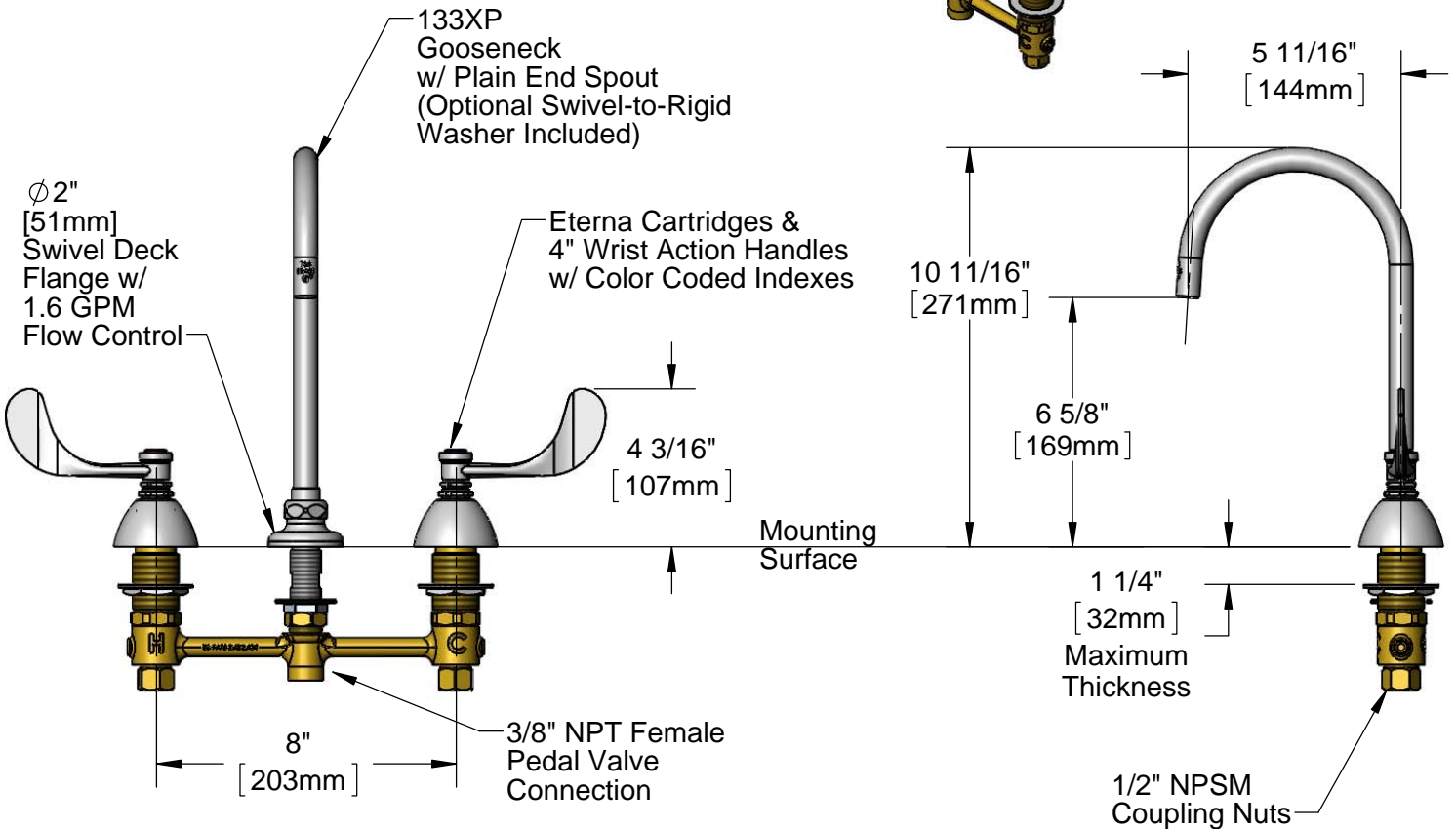
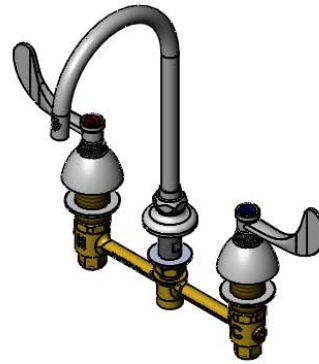
Customer/Wholesaler \_\_\_\_\_

Contractor \_\_\_\_\_

Architect/Engineer \_\_\_\_\_



**ADA Compliant**



**Rough-In Requirement:**  
 Ø 1" [25mm] for Center Shank  
 Ø 1 1/2" [38mm] for Hot/Cold Side

**Product Specifications:**  
 8" Concealed Widespread EasyInstall Mixng Faucet w/ 1.6 GPM Flow Control, 4" Wrist Action Handles, Eterna Cartridges, 3/8" NPT Pedal Valve Connection, Swivel Gooseneck w/ Plain End Spout and 1/2" NPSM Male Inlets

**Product Compliance:**  
 ASME A112.18.1 / CSA B125.1  
 NSF 61 - Section 9  
 NSF 372 (Low Lead Content)  
 ANSI A117.1 (ADA)



# T&S BRASS AND BRONZE WORKS, INC.

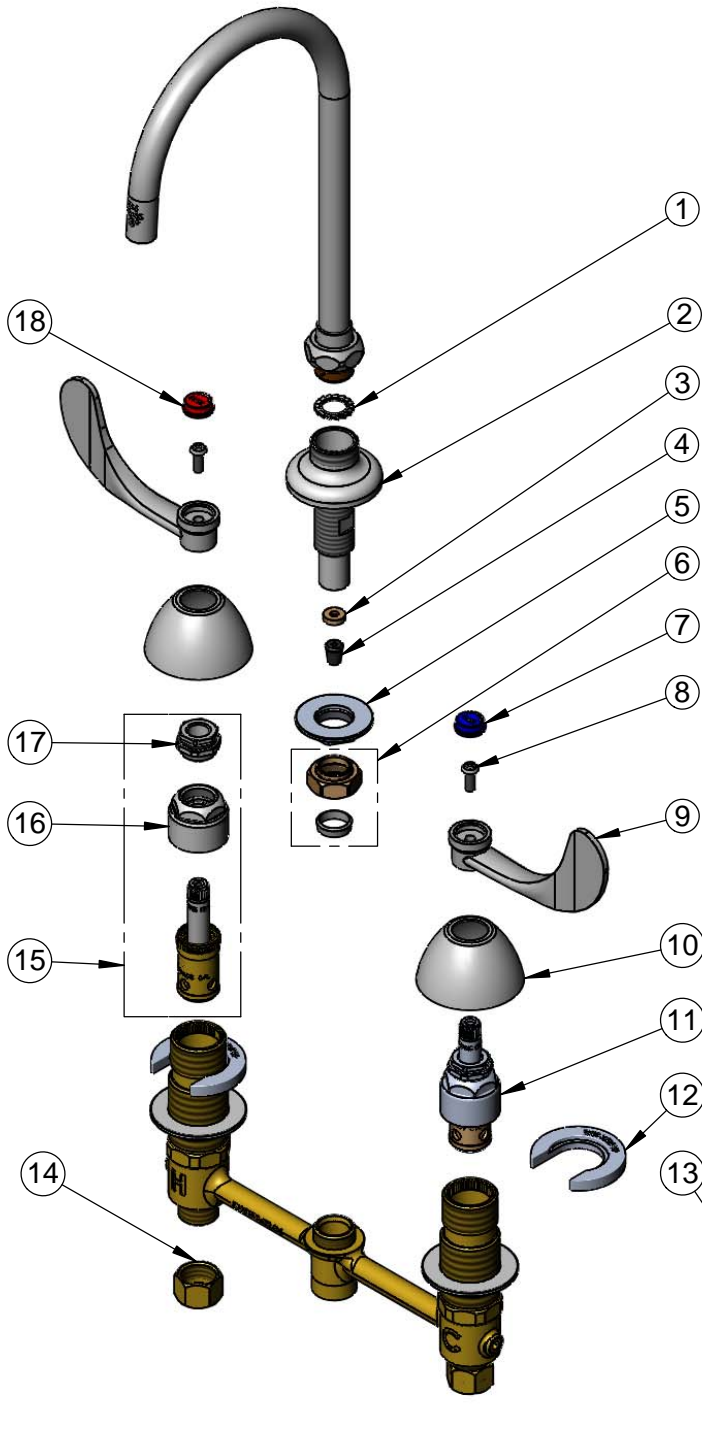
2 Saddleback Cove / P.O. Box 1088  
Travelers Rest, SC 29690

Model No.

**B-2866-05FC-PV**

Item No.

Travelers Rest, SC: 800-476-4103 • Simi Valley, CA: 800-423-0150 • Fax: 864-834-3518 • www.tsbrass.com



ITEM NO.	SALES NO.	DESCRIPTION
1	014200-45	Star Washer, Anti-Rotation
2	016754-40	EasyInstall CWS Swivel Center Shank
3	009069-45	Flow Control Holder
4	016232-45	Flow Tower, 1.6 GPM
5	016742-45	Center Flange Nut
6	016745-45	Compression Nut & Fitting
7	001686-45	Blue Index - CW
8	000925-45	Lab Handle Screw
9	B-WH4	4" Wrist Action Handle
10	001257-40	Bell Escutcheon
11	016752-40	EasyInstall CWS LTC Eterna
12	016749-45	Sidebody C-Washer
13	016777-45	CWS Hanger
14	000958-20	Coupling Nut
15	016753-40	EasyInstall CWS RTC Eterna
16	016743-25	CWS Bonnet Assembly
17	009002-25	Packing Nut Assembly
18	001194-45	Red Index - HW



017245-40  
Installation Repair Kit  
Includes #5, (2)#12, & #13

**Product Specifications:**

8" Concealed Widespread EasyInstall Mixng Faucet w/ 1.6 GPM Flow Control, 4" Wrist Action Handles, Eterna Cartridges, 3/8" NPT Pedal Valve Connection, Swivel Gooseneck w/ Plain End Spout and 1/2" NPSM Male Inlets

**Product Compliance:**

ASME A112.18.1 / CSA B125.1  
NSF 61 - Section 9  
NSF 372 (Low Lead Content)  
ANSI A117.1 (ADA)