



T&S BRASS AND BRONZE WORKS, INC.
 2 Saddleback Cove / P.O. Box 1088
 Travelers Rest, SC 29690

Model No.
B-2866-05CR

Item No.

Travelers Rest, SC: 800-476-4103 • Simi Valley, CA: 800-423-0150 • Fax: 864-834-3518 • www.tsbrass.com



ADA Compliant

This Space for Architect/Engineer Approval

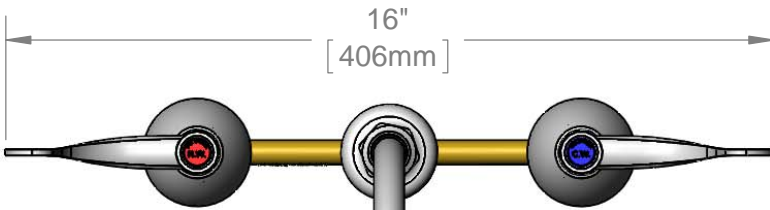
Job Name _____ Date _____

Model Specified _____ Quantity _____

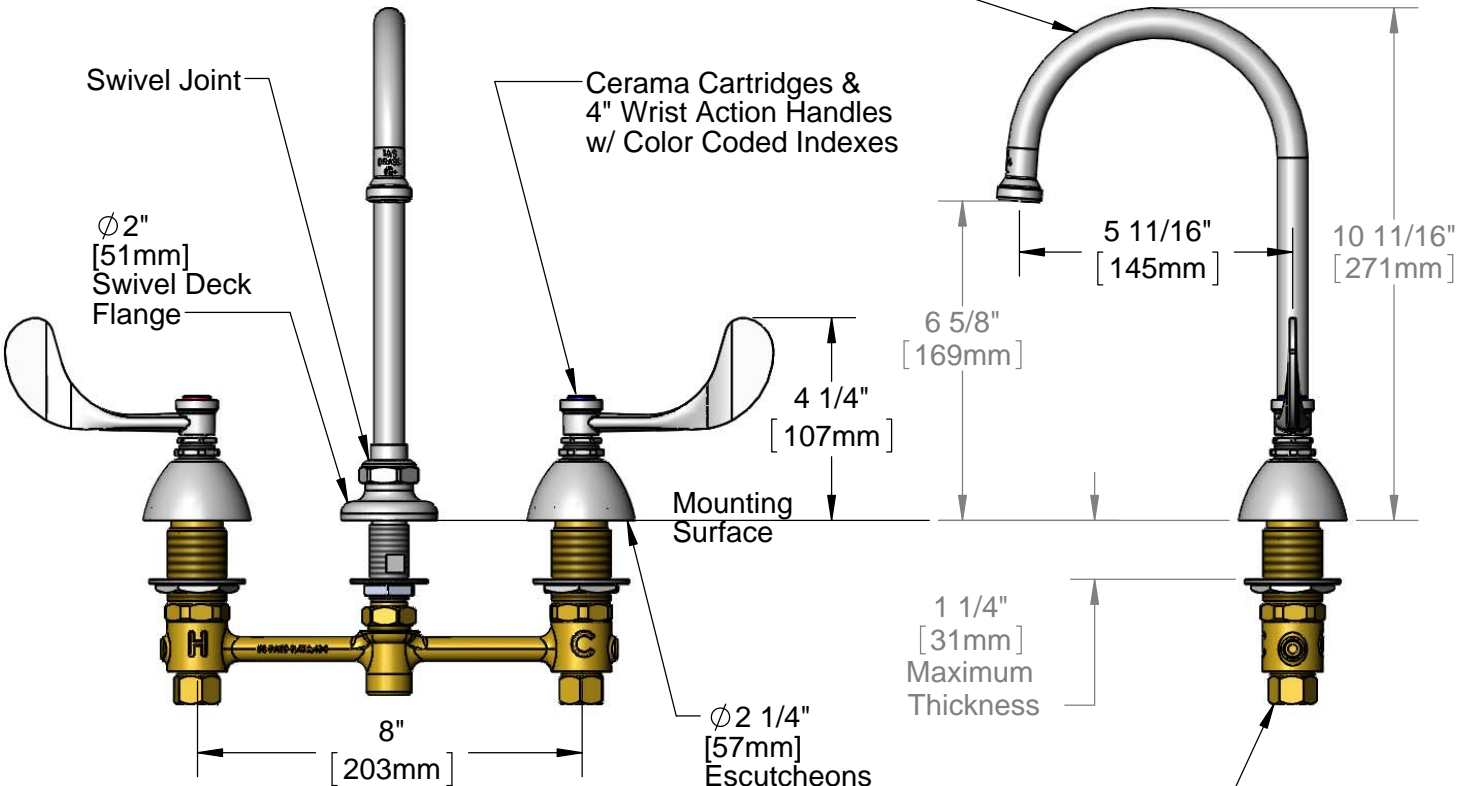
Customer/Wholesaler _____

Contractor _____

Architect/Engineer _____



133X
 Swivel Gooseneck w/
 Stream Regulator Outlet.
 Rigid Conversion Requires
 014200-45 Lock Washer
 (Included)



Rough-In Requirement:
 Center Shank: Ø1" [25mm] Mounting Hole
 Hot/Cold Side: Ø1 1/2" [38mm] Mounting Holes

Product Specifications:
 8" Deck Mount EasyInstall Mixing Faucet, Cerama Cartridges, 4" Wrist Action Handles, Swivel Gooseneck, Stream Regulator Outlet & 1/2" NPSM Male Inlets

Product Compliance:
 ASME A112.18.1 / CSA B125.1
 NSF 61 - Section 9
 NSF 372 (Low Lead Content)
 ANSI A117.1 (ADA)

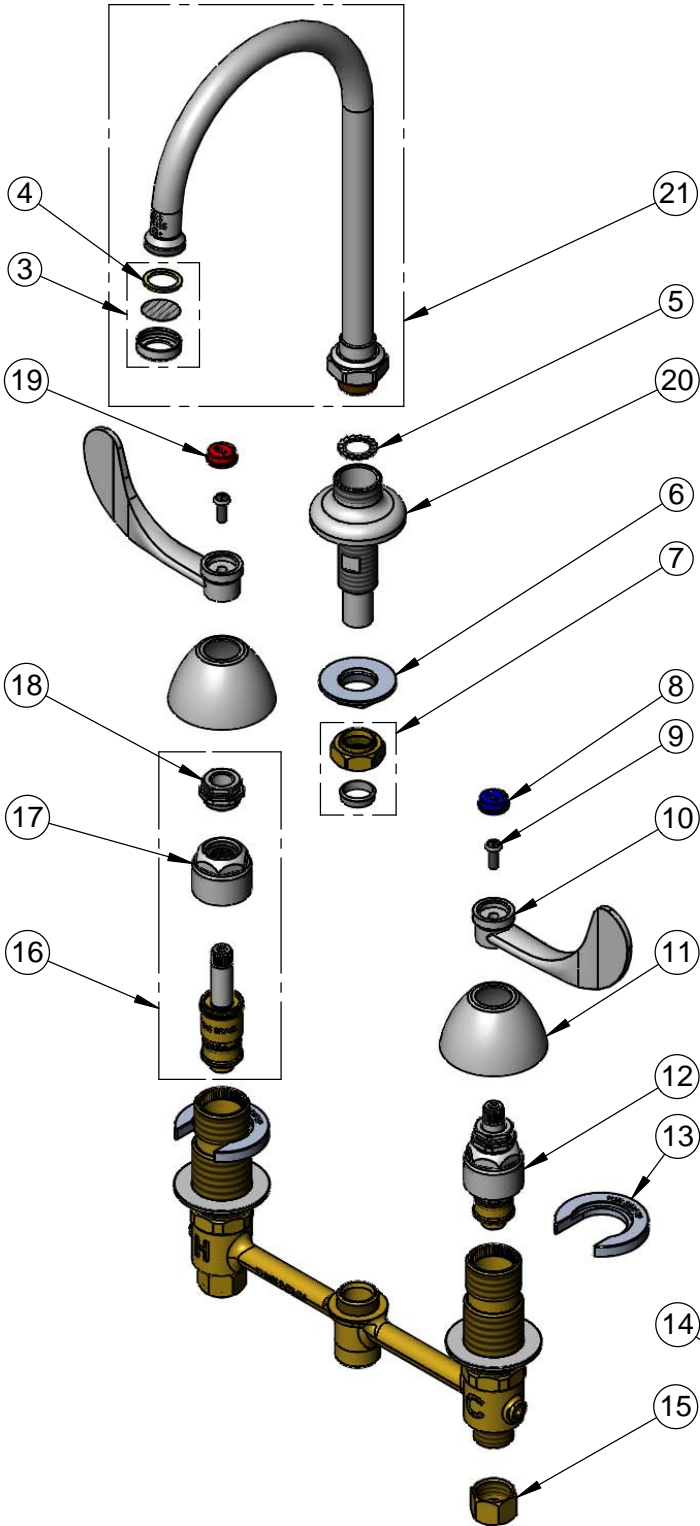


T&S BRASS AND BRONZE WORKS, INC.
 2 Saddleback Cove / P.O. Box 1088
 Travelers Rest, SC 29690

Model No.
B-2866-05CR

Item No.

Travelers Rest, SC: 800-476-4103 • Simi Valley, CA: 800-423-0150 • Fax: 864-834-3518 • www.tsbrass.com



| ITEM NO. | SALES NO. | DESCRIPTION |
|----------|-----------|-------------------------------------|
| 3 | B-PT | Stream Regulator Outlet |
| 4 | 001048-45 | Nozzle Tip Washer |
| 5 | 014200-45 | Star Washer, Anti-Rotation |
| 6 | 016742-45 | Center Flange Nut |
| 7 | 016745-45 | Compression Nut & Fitting |
| 8 | 001686-45 | Blue Index - CW |
| 9 | 000925-45 | Lab Handle Screw |
| 10 | B-WH4 | 4" Wrist Action Handle |
| 11 | 001257-40 | Bell Escutcheon |
| 12 | 016768-25 | EasyInstall CWS LTC Cerama |
| 13 | 016749-45 | Sidebody C-Washer |
| 14 | 016777-45 | CWS Hanger |
| 15 | 000958-20 | Coupling Nut |
| 16 | 016767-25 | EasyInstall CWS RTC Cerama |
| 17 | 016743-25 | CWS Bonnet |
| 18 | 009002-25 | Packing Nut |
| 19 | 001194-45 | Red Index - HW |
| 20 | 016754-40 | EasyInstall CWS Swivel Center Shank |
| 21 | 133X | 6" Swivel Gooseneck |



017245-40
 Installation Repair Kit
 Includes #6, (2)#13, & #14

Product Specifications:
 8" Deck Mount EasyInstall Mixing Faucet, Cerama Cartridges, 4" Wrist Action Handles, Swivel Gooseneck, Stream Regulator Outlet & 1/2" NPSM Male Inlets

Product Compliance:
 ASME A112.18.1 / CSA B125.1
 NSF 61 - Section 9
 NSF 372 (Low Lead Content)
 ANSI A117.1 (ADA)