



# T&S BRASS AND BRONZE WORKS, INC.

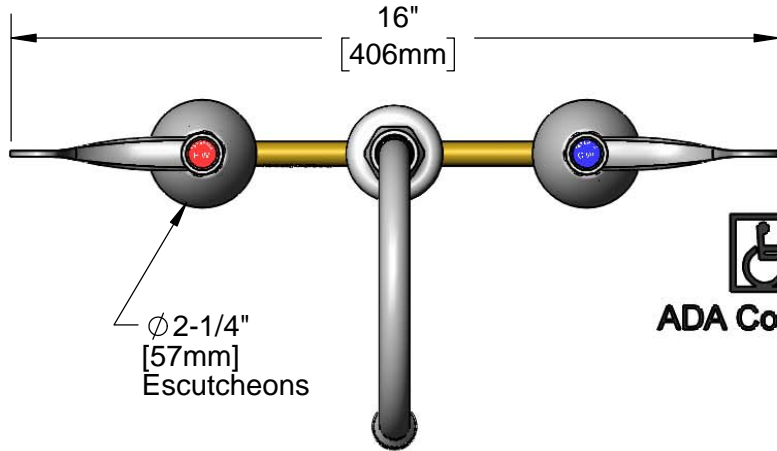
2 Saddleback Cove / P.O. Box 1088  
Travelers Rest, SC 29690

Model No.

**B-2866-05**

Item No.

Travelers Rest, SC: 800-476-4103 • Simi Valley, CA: 800-423-0150 • Fax: 864-834-3518 • www.tsbrass.com



Ø2-1/4"  
[57mm]  
Escutcheons



**ADA Compliant**

This Space for Architect/Engineer Approval

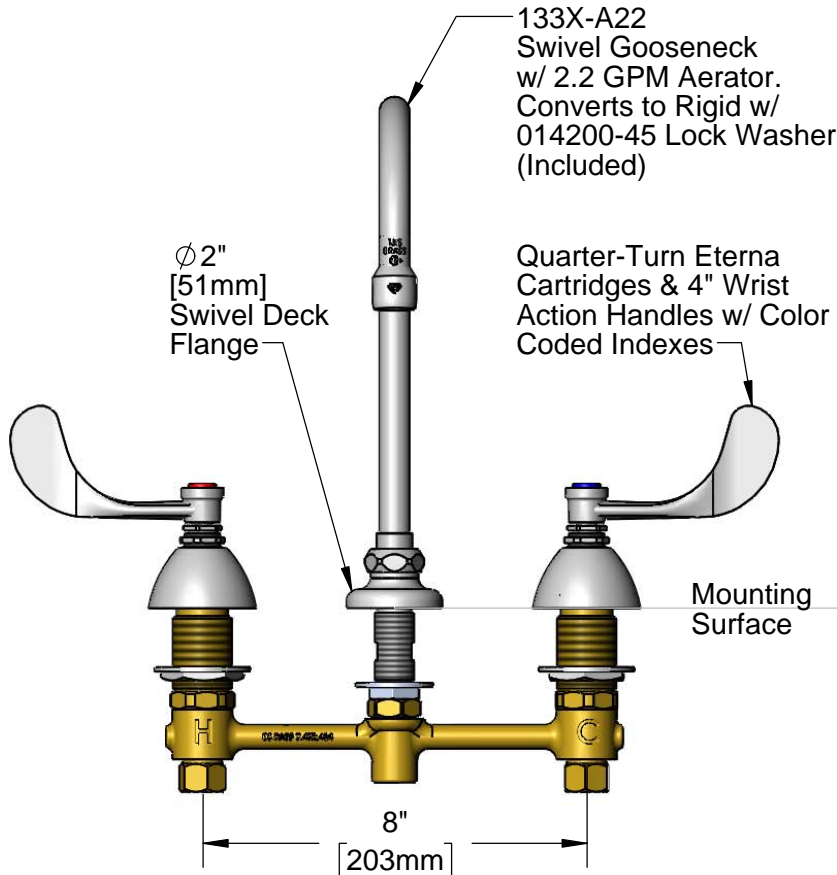
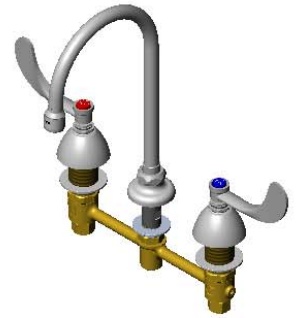
Job Name \_\_\_\_\_ Date \_\_\_\_\_

Model Specified \_\_\_\_\_ Quantity \_\_\_\_\_

Customer/Wholesaler \_\_\_\_\_

Contractor \_\_\_\_\_

Architect/Engineer \_\_\_\_\_



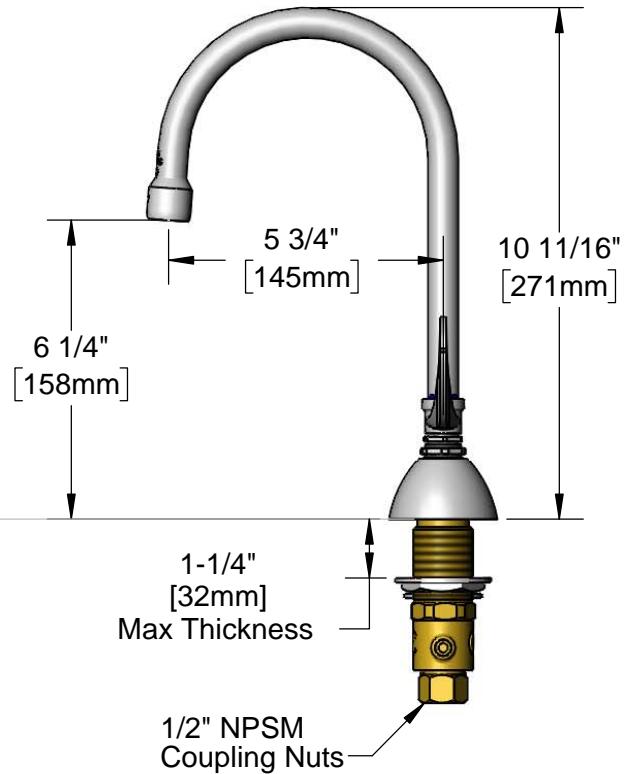
133X-A22  
Swivel Gooseneck  
w/ 2.2 GPM Aerator.  
Converts to Rigid w/  
014200-45 Lock Washer  
(Included)

Ø2"  
[51mm]  
Swivel Deck  
Flange

Quarter-Turn Eterna  
Cartridges & 4" Wrist  
Action Handles w/ Color  
Coded Indexes

Mounting  
Surface

8"  
[203mm]



6 1/4"  
[158mm]

5 3/4"  
[145mm]

10 11/16"  
[271mm]

1-1/4"  
[32mm]  
Max Thickness

1/2" NPSM  
Coupling Nuts

**Rough-In Requirement:**  
Ø1" [25mm] for Center Shank  
Ø1-1/2" [38mm] for Hot/Cold Side

**Product Specifications:**  
EasyInstall Faucet w/ 4" Wrist Action Handles, Eterna Cartridges,  
8" Inlet Centers & Swivel Gooseneck w/ 2.2 GPM Aerator

**Product Compliance:**  
ASME A112.18.1 / CSA B125.1  
NSF 61 - Section 9  
NSF 372 (Low Lead Content)  
ANSI A117.1 (ADA)

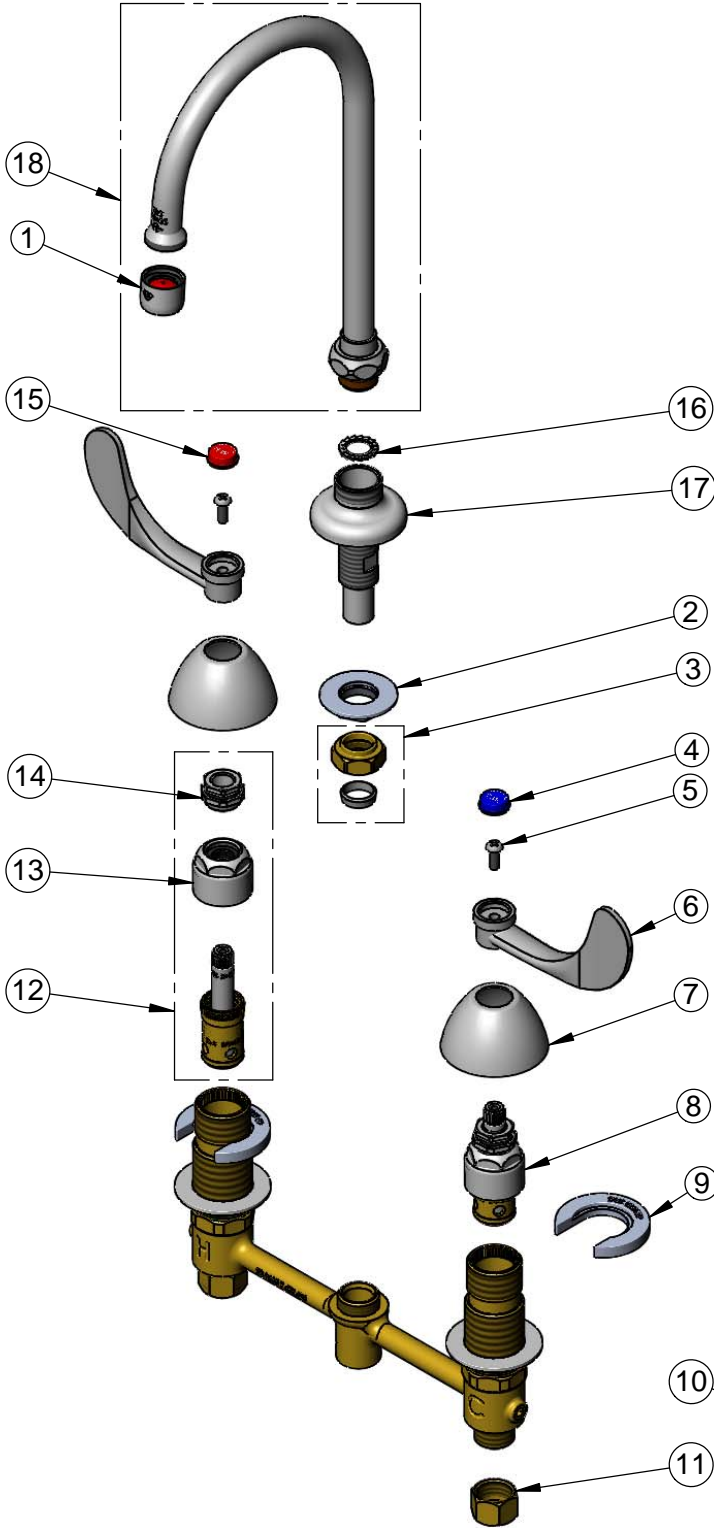


**T&S BRASS AND BRONZE WORKS, INC.**  
 2 Saddleback Cove / P.O. Box 1088  
 Travelers Rest, SC 29690

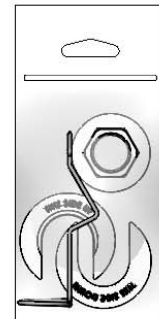
Model No.  
**B-2866-05**

Item No.

Travelers Rest, SC: 800-476-4103 • Simi Valley, CA: 800-423-0150 • Fax: 864-834-3518 • www.tsbrass.com



ITEM NO.	SALES NO.	DESCRIPTION
1	B-0199-01	2.2 GPM Aerator, 55/64"-27 UN Female
2	016742-45	Center Flange Nut
3	016745-45	Compression Nut & Fitting
4	001686-45	Blue Index - CW
5	000925-45	Lab Handle Screw
6	B-WH4	4" Wrist Action Handle
7	001257-40	Bell Escutcheon
8	016752-40	EasyInstall CWS LTC Eterna (Teflon)
9	016749-45	Sidebody C-Washer
10	016777-45	CWS Hanger
11	000958-20	Coupling Nut
12	016753-40	EasyInstall CWS RTC Eterna (Teflon)
13	016743-25	CWS Bonnet Assembly
14	009002-25	Packing Nut Assembly
15	001194-45	Red Index - HW
16	014200-45	Star Washer, Anti-Rotation
17	016754-40	EasyInstall CWS Swivel Center Shank
18	133X-A22	6" Swivel Gooseneck w/ 2.2 GPM Aerator



017245-40  
 Installation Repair Kit  
 Includes #2, (2)#9, #10

Product Specifications:  
 EasyInstall Faucet w/ 4" Wrist Action Handles, Eterna Cartridges,  
 8" Inlet Centers & Swivel Gooseneck w/ 2.2 GPM Aerator

Product Compliance:  
 ASME A112.18.1 / CSA B125.1  
 NSF 61 - Section 9  
 NSF 372 (Low Lead Content)  
 ANSI A117.1 (ADA)