



T&S BRASS AND BRONZE WORKS, INC.

2 Saddleback Cove / P.O. Box 1088
Travelers Rest, SC 29690

Model No.

B-2866-05-WA

Item No.

Travelers Rest, SC: 800-476-4103 • Simi Valley, CA: 800-423-0150 • Fax: 864-834-3518 • www.tsbrass.com



ADA Compliant

This Space for Architect/Engineer Approval

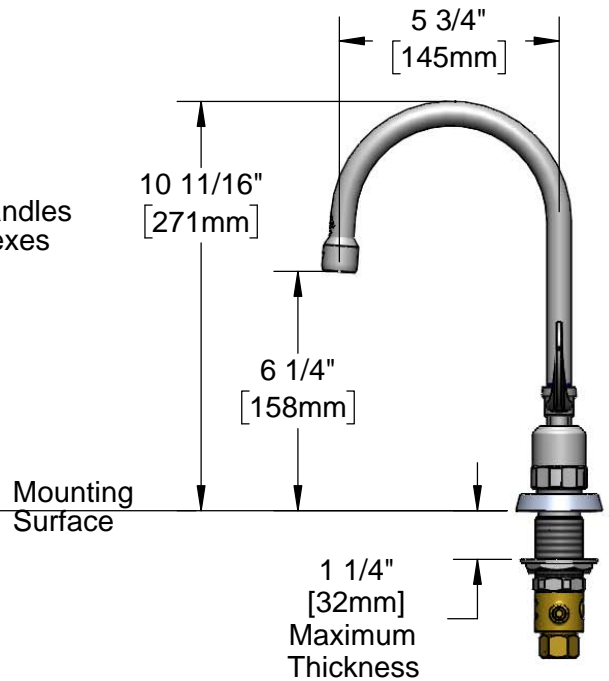
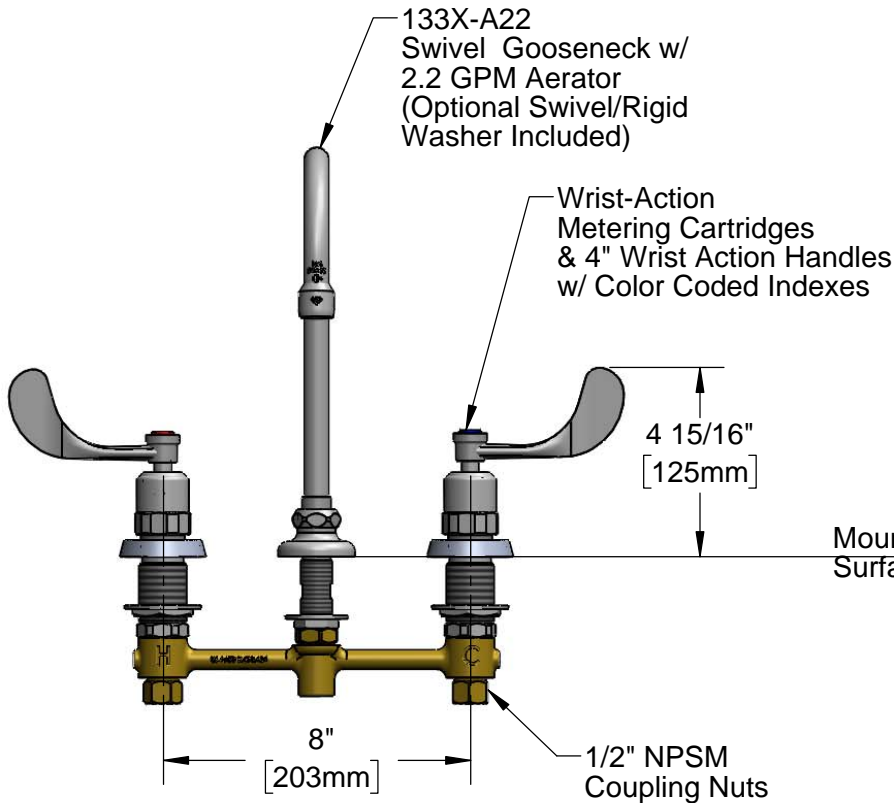
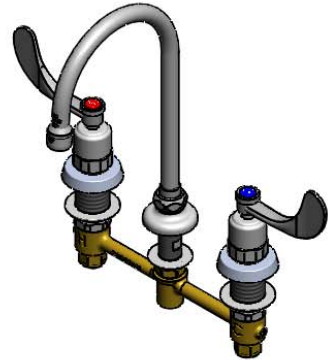
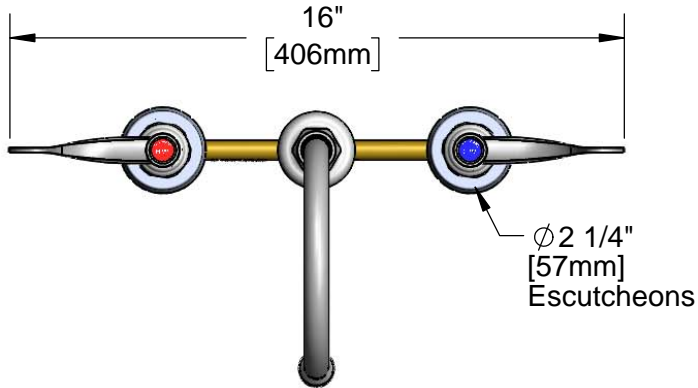
Job Name _____ Date _____

Model Specified _____ Quantity _____

Customer/Wholesaler _____

Contractor _____

Architect/Engineer _____



Rough-In Requirement:
Ø 1" [25mm] for Center Shank
Ø 1 1/2" [38mm] for Hot/Cold Side

Product Specifications:
8" Concealed Widespread EasyInstall Mixing Faucet, 4" Wrist Action Handles, Wrist-Action Metering Cartridges, Swivel Gooseneck w/ 2.2 GPM Aerator and 1/2" NPSM Male Inlet

Product Compliance:
ASME A112.18.1 / CSA B125.1
NSF 61 - Section 9
NSF 372 (Low Lead Content)
ANSI A117.1 (ADA)



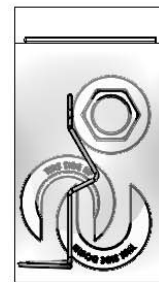
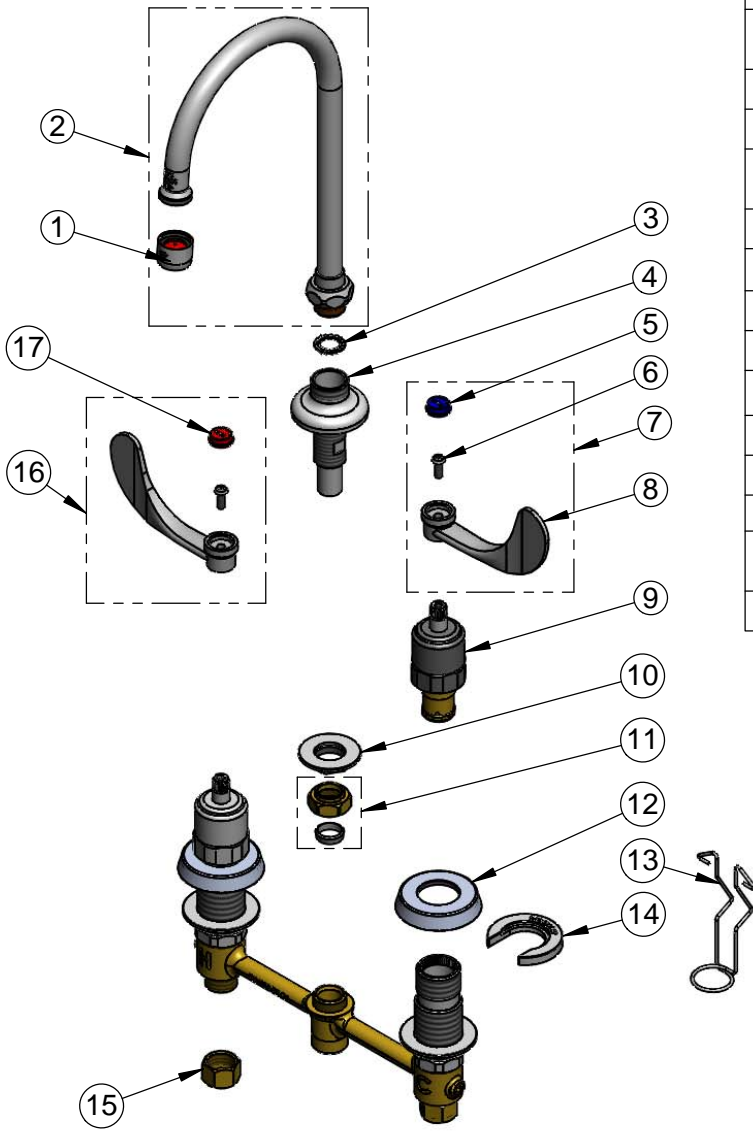
T&S BRASS AND BRONZE WORKS, INC.
 2 Saddleback Cove / P.O. Box 1088
 Travelers Rest, SC 29690

Model No.
B-2866-05-WA

Item No.

Travelers Rest, SC: 800-476-4103 • Simi Valley, CA: 800-423-0150 • Fax: 864-834-3518 • www.tsbrass.com

ITEM NO.	SALES NO.	DESCRIPTION
1	B-0199-01	2.2 GPM Aerator, 55/64"-27 UN Female
2	133X-A22	6" Swivel Gooseneck w/ 2.2 GPM Aerator
3	014200-45	Star Washer, Anti-Rotation
4	016754-40	EasyInstall CWS Swivel Center Shank
5	001686-45	Blue Index - CW
6	000925-45	Lab Handle Screw
7	B-WH4C	4" Wrist Action Handle, Screw & Cold Index
8	B-WH4	4" Wrist Action Handle
9	012449-40	Wrist-Action Metering Cartridge
10	016742-45	Center Flange Nut
11	016745-45	Compression Nut & Fitting
12	017292-45	Metering CWS Escutcheon
13	016777-45	CWS Hanger
14	016749-45	Sidebody C-Washer
15	000958-20	Coupling Nut
16	B-WH4H	4" Wrist Action Handle, Screw & Hot Index
17	001194-45	Red Index - HW



017245-40
 Installation Repair Kit
 Includes #10, (2) #14, #13

Product Specifications:
 8" Concealed Widespread EasyInstall Mixing Faucet, 4" Wrist Action Handles, Wrist-Action Metering Cartridges, Swivel Gooseneck w/ 2.2 GPM Aerator and 1/2" NPSM Male Inlet

Product Compliance:
 ASME A112.18.1 / CSA B125.1
 NSF 61 - Section 9
 NSF 372 (Low Lead Content)
 ANSI A117.1 (ADA)