



T&S BRASS AND BRONZE WORKS, INC.
 2 Saddleback Cove / P.O. Box 1088
 Travelers Rest, SC 29690

Model No.
B-2866-05-LF15

Item No.

Travelers Rest, SC: 800-476-4103 • Simi Valley, CA: 800-423-0150 • Fax: 864-834-3518 • www.tsbrass.com

This Space for Architect/Engineer Approval

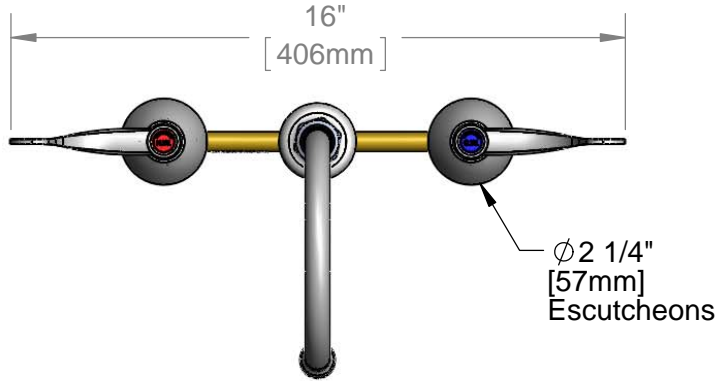
Job Name _____ Date _____

Model Specified _____ Quantity _____

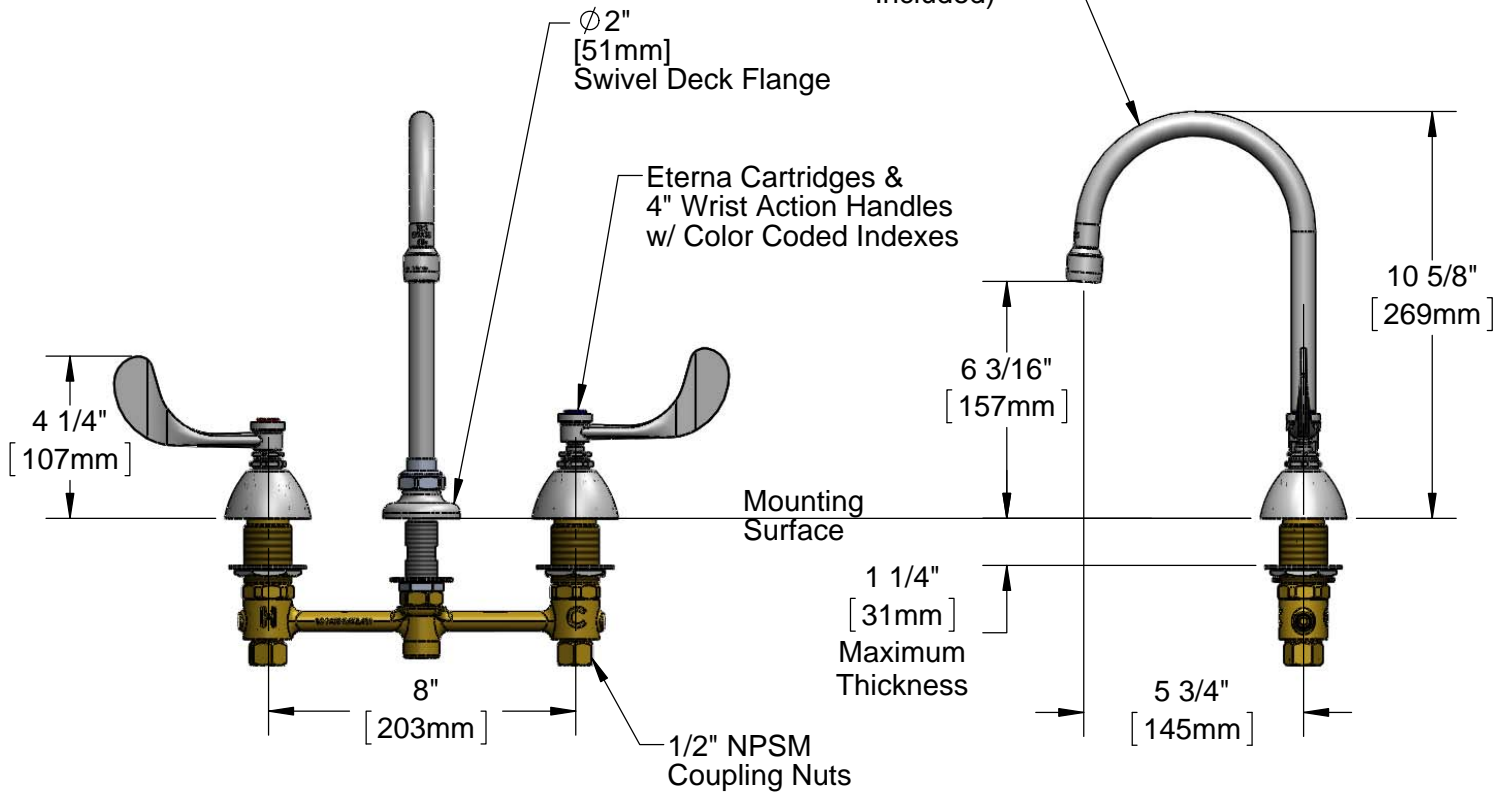
Customer/Wholesaler _____

Contractor _____

Architect/Engineer _____



Swivel Gooseneck w/
 B-0199-29
 1.5 GPM Laminar Flow
 Device (Optional
 Swivel/Rigid Washer
 Included)



Rough-In Requirement:
 Ø 1" [25mm] for Center Shank
 Ø 1 1/2" [38mm] for Hot/Cold Side

Product Specifications:
 EasyInstall Faucet w/ 4" Wrist Action Handles, Eterna Cartridges, 8"
 Inlet Centers & Swivel Gooseneck w/ 1.5 GPM Laminar Flow Device

Product Compliance:
 ASME A112.18.1 / CSA B125.1
 NSF 61 - Section 9
 NSF 372 (Low Lead Content)
 ANSI A117.1 (ADA)



T&S BRASS AND BRONZE WORKS, INC.

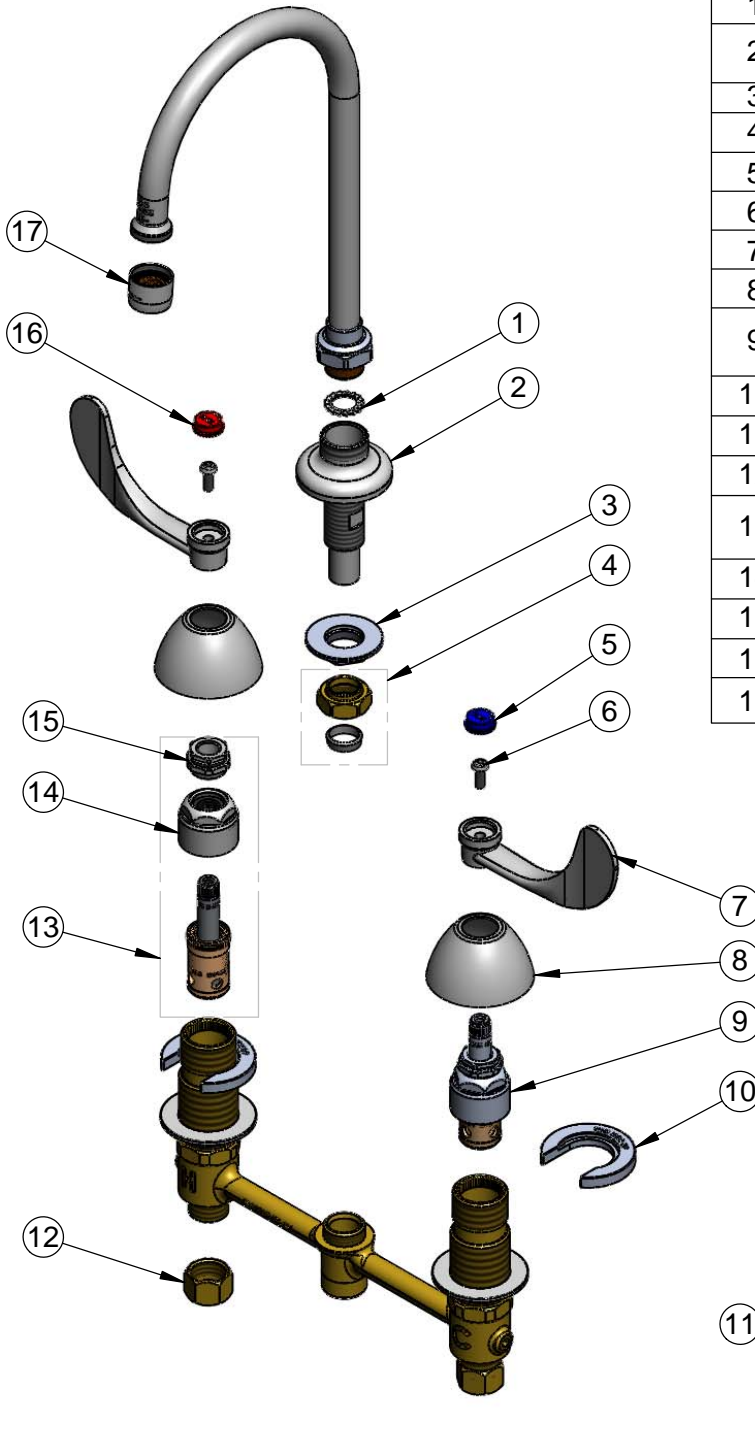
2 Saddleback Cove / P.O. Box 1088
Travelers Rest, SC 29690

Model No.

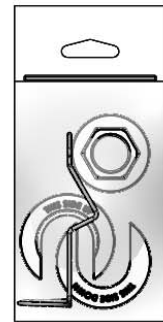
B-2866-05-LF15

Item No.

Travelers Rest, SC: 800-476-4103 • Simi Valley, CA: 800-423-0150 • Fax: 864-834-3518 • www.tsbrass.com



ITEM NO.	SALES NO.	DESCRIPTION
1	014200-45	Star Washer, Anti-Rotation
2	016754-40	EasyInstall CWS Swivel Center Shank
3	016742-45	Center Flange Nut
4	016745-45	Compression Nut & Fitting
5	001686-45	Blue Index - CW
6	000925-45	Lab Handle Screw
7	B-WH4	4" Wrist Action Handle
8	001257-40	Bell Escutcheon
9	016752-40	EasyInstall CWS LTC Eterna (Teflon)
10	016749-45	Sidebody C-Washer
11	016777-45	CWS Hanger
12	000958-20	Coupling Nut
13	016753-40	EasyInstall CWS RTC Eterna (Teflon)
14	016743-25	CWS Bonnet Assembly
15	009002-25	Packing Nut Assembly
16	001194-45	Red Index - HW
17	B-0199-29	1.5 GPM Laminar Device



017245-40
Installation Repair Kit
Includes #3, (2)#10, #11

Product Specifications:

EasyInstall Faucet w/ 4" Wrist Action Handles, Eterna Cartridges, 8" Inlet Centers & Swivel Gooseneck w/ 1.5 GPM Laminar Flow Device

Product Compliance:

ASME A112.18.1 / CSA B125.1
NSF 61 - Section 9
NSF 372 (Low Lead Content)
ANSI A117.1 (ADA)