



# T&S BRASS AND BRONZE WORKS, INC.

2 Saddleback Cove / P.O. Box 1088  
Travelers Rest, SC 29690

Model No.

**B-2866-05-LF08**

Item No.

Travelers Rest, SC: 800-476-4103 • Simi Valley, CA: 800-423-0150 • Fax: 864-834-3518 • www.tsbrass.com



**ADA Compliant**

This Space for Architect/Engineer Approval

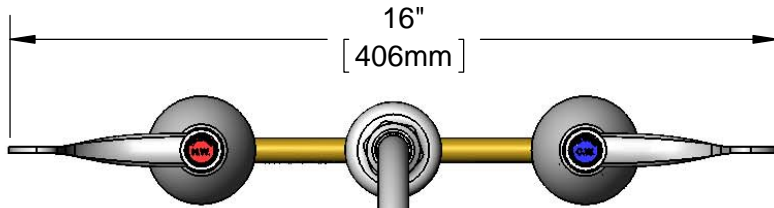
Job Name \_\_\_\_\_ Date \_\_\_\_\_

Model Specified \_\_\_\_\_ Quantity \_\_\_\_\_

Customer/Wholesaler \_\_\_\_\_

Contractor \_\_\_\_\_

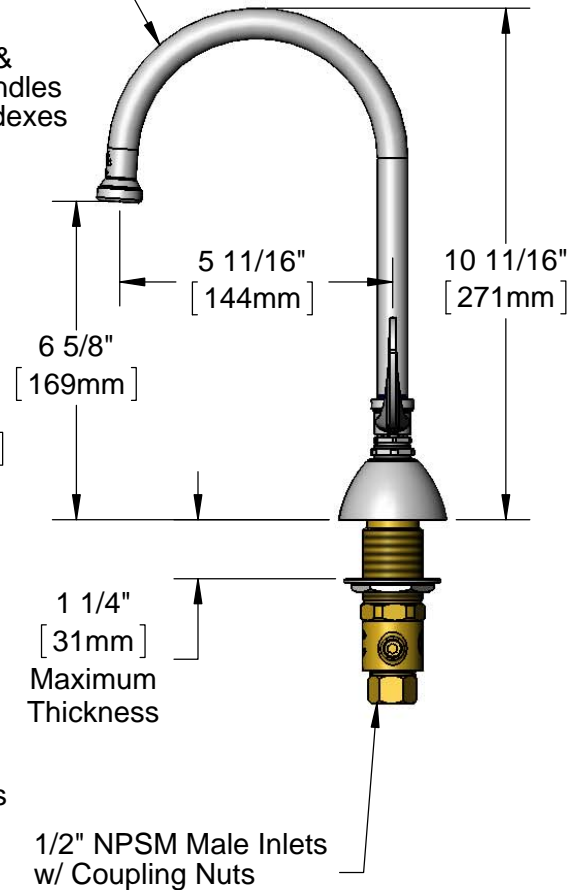
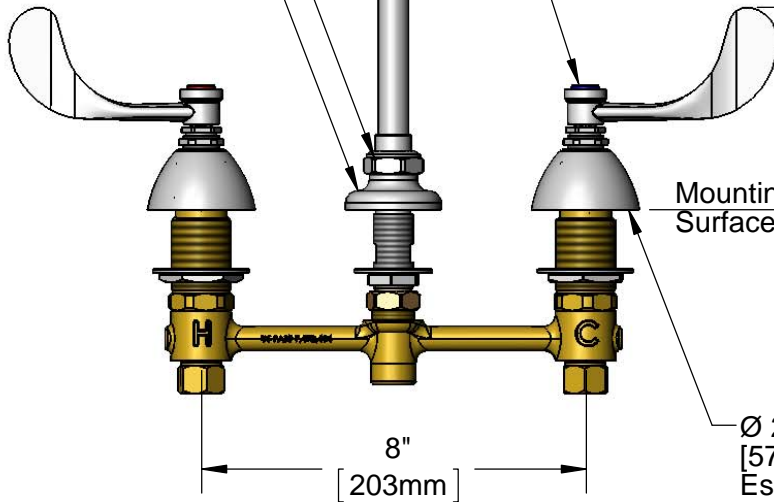
Architect/Engineer \_\_\_\_\_



133X  
Swivel Gooseneck w/  
Stream Regulator Outlet.  
Rigid Conversion Requires  
014200-45 Lock Washer  
(Included)

Swivel Joint  
Ø 2"  
[51mm]  
Swivel Deck  
Flange w/  
1.6 GPM  
Flow Control

Eterna Cartridges &  
4" Wrist Action Handles  
w/ Color Coded Indexes



**Rough-In Requirement:**  
Center Shank: Ø 1" [25mm] Mounting Hole  
Hot/Cold Bodies: Ø 1 1/2" [38mm] Mounting Holes

**Product Specifications:**  
8" Deck Mount EasyInstall Mixing Faucet, Eterna Cartridges, 4" Wrist Action Handles, Swivel Gooseneck, Stream Regulator Outlet, 1.6 GPM Flow Control & 1/2" NPSM Male Inlets

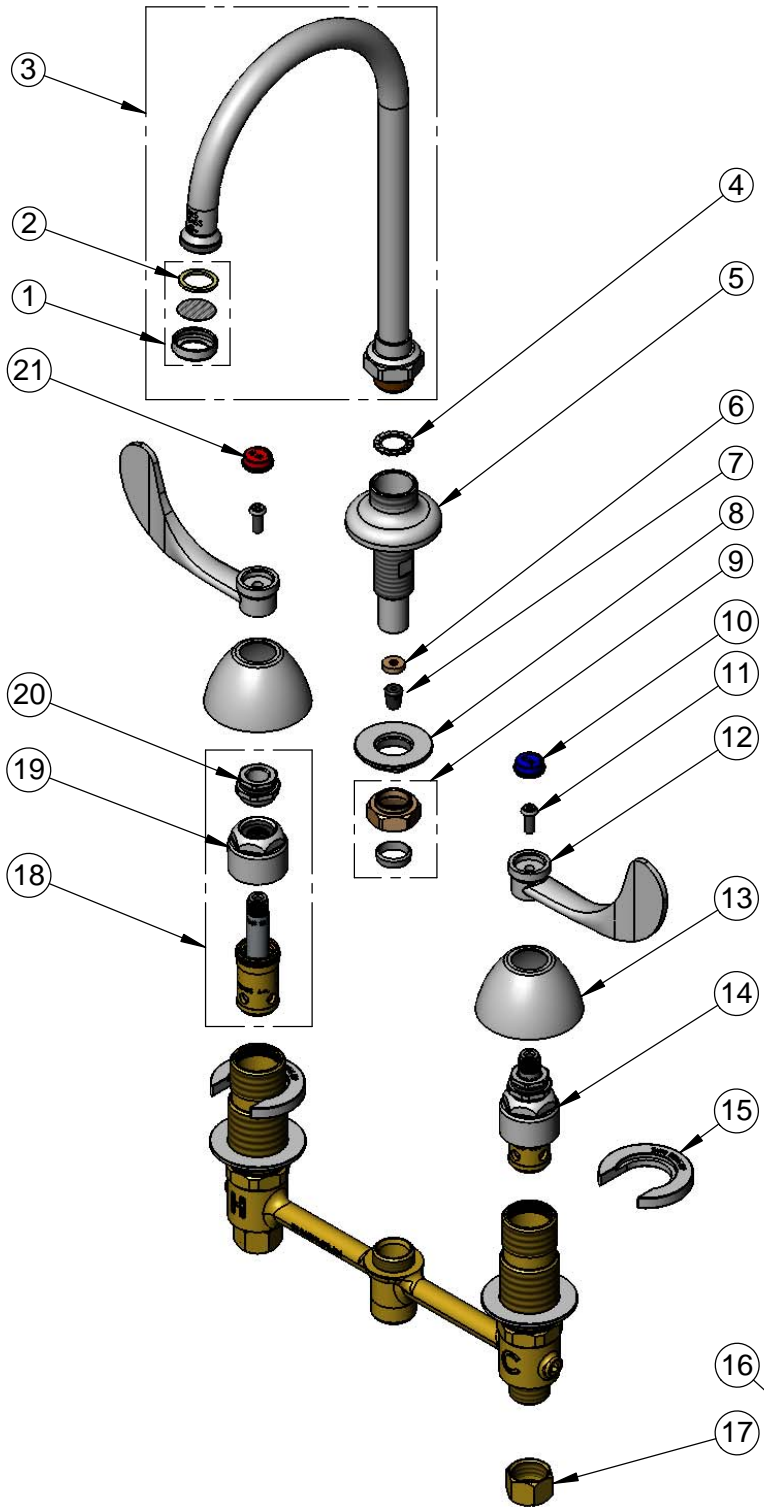
**Product Compliance:**  
ASME A112.18.1 / CSA B125.1  
NSF 61 - Section 9  
NSF 372 (Low Lead Content)  
ANSI A117.1 (ADA)



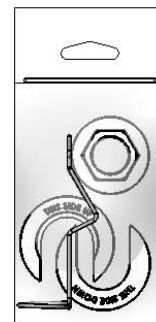
**T&S BRASS AND BRONZE WORKS, INC.**  
 2 Saddleback Cove / P.O. Box 1088  
 Travelers Rest, SC 29690

Model No.  
**B-2866-05-LF08**  
 Item No.

Travelers Rest, SC: 800-476-4103 • Simi Valley, CA: 800-423-0150 • Fax: 864-834-3518 • www.tsbrass.com



ITEM NO.	SALES NO.	DESCRIPTION
1	B-PT	Stream Regulator Outlet
2	001048-45	Nozzle Tip Washer
3	133X	6" Swivel Gooseneck
4	014200-45	Star Washer, Anti-Rotation
5	016754-40	EasyInstall CWS Swivel Center Shank
6	009069-45	Flow Control Holder
7	016232-45	Flow Tower, 1.6 GPM
8	016742-45	Center Flange Nut
9	016745-45	Compression Nut & Fitting
10	001686-45	Blue Index - CW
11	000925-45	Lab Handle Screw
12	B-WH4	4" Wrist Action Handle
13	001257-40	Bell Escutcheon
14	016752-40	EasyInstall CWS LTC Eterna (Teflon)
15	016749-45	Sidebody C-Washer
16	016777-45	CWS Hanger
17	000958-20	Coupling Nut
18	016753-40	EasyInstall CWS RTC Eterna (Teflon)
19	016743-25	CWS Eterna Bonnet
20	009002-25	Packing Nut
21	001194-45	Red Index - HW



017245-40  
 Installation Repair Kit  
 Includes #8, (2)#15 & #16

Product Specifications:  
 8" Deck Mount EasyInstall Mixing Faucet, Eterna Cartridges, 4" Wrist Action Handles, Swivel Gooseneck, Stream Regulator Outlet, 1.6 GPM Flow Control & 1/2" NPSM Male Inlets

Product Compliance:  
 ASME A112.18.1 / CSA B125.1  
 NSF 61 - Section 9  
 NSF 372 (Low Lead Content)  
 ANSI A117.1 (ADA)