



# T&S BRASS AND BRONZE WORKS, INC.

2 Saddleback Cove / P.O. Box 1088  
Travelers Rest, SC 29690

Model No.

**B-2866-05-FC15**

Item No.

Travelers Rest, SC: 800-476-4103 • Simi Valley, CA: 800-423-0150 • Fax: 864-834-3518 • www.tsbrass.com

This Space for Architect/Engineer Approval

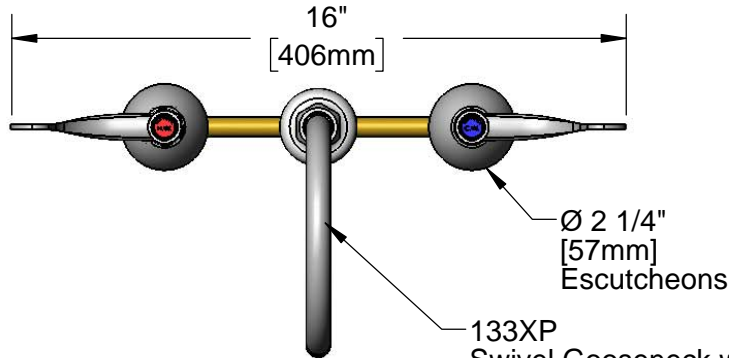
Job Name \_\_\_\_\_ Date \_\_\_\_\_

Model Specified \_\_\_\_\_ Quantity \_\_\_\_\_

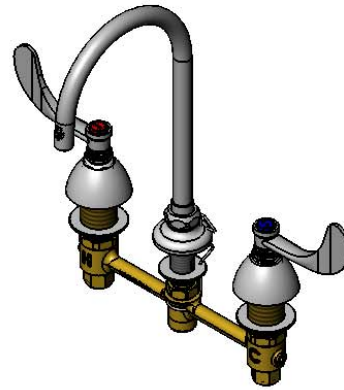
Customer/Wholesaler \_\_\_\_\_

Contractor \_\_\_\_\_

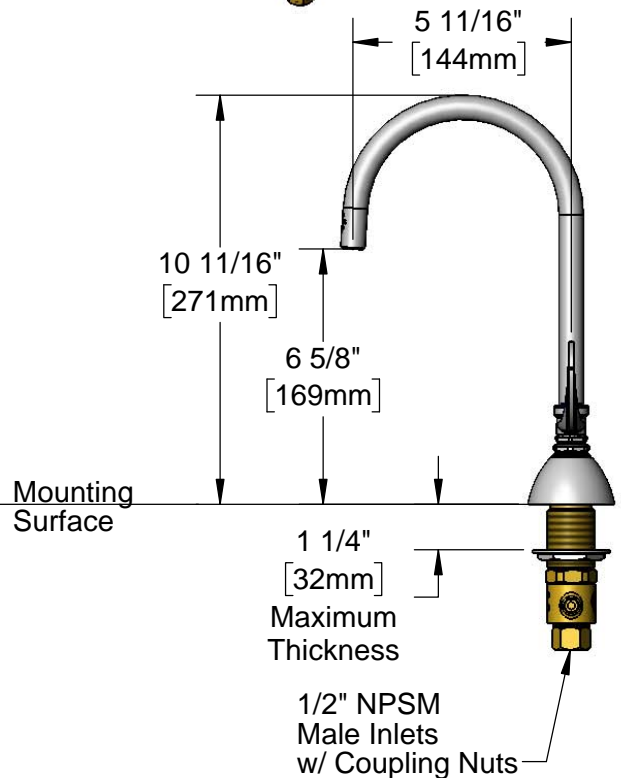
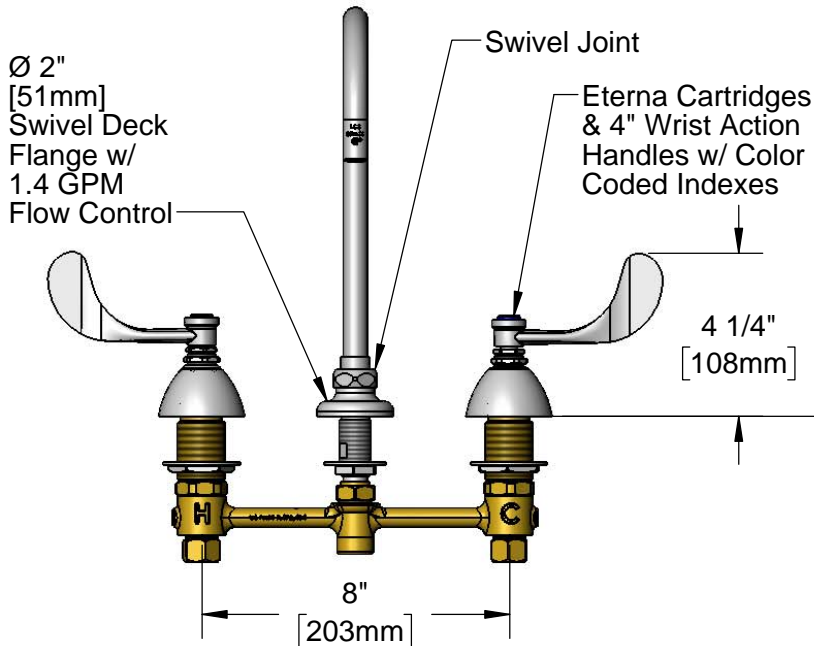
Architect/Engineer \_\_\_\_\_



133XP Swivel Gooseneck w/ Plain End Outlet.  
Rigid Conversion Requires 014200-45 Lock Washer (Included)



**ADA Compliant**



**Rough-In Requirement:**  
Center Shank:  $\phi 1"$  [25mm] Mounting Hole  
Hot/Cold Bodies:  $\phi 1 \frac{1}{2}"$  [38mm] Mounting Holes

**Product Specifications:**  
8" Deck Mount EasyInstall Mixing Faucet, Eterna Cartridges, 4" Wrist Action Handles, Swivel Gooseneck, Plain End Outlet, 1.4 GPM Flow Control & 1/2" NPSM Male Inlets

**Product Compliance:**  
ASME A112.18.1 / CSA B125.1  
NSF 61 - Section 9  
NSF 372 (Low Lead Content)  
ANSI A117.1 (ADA)



# T&S BRASS AND BRONZE WORKS, INC.

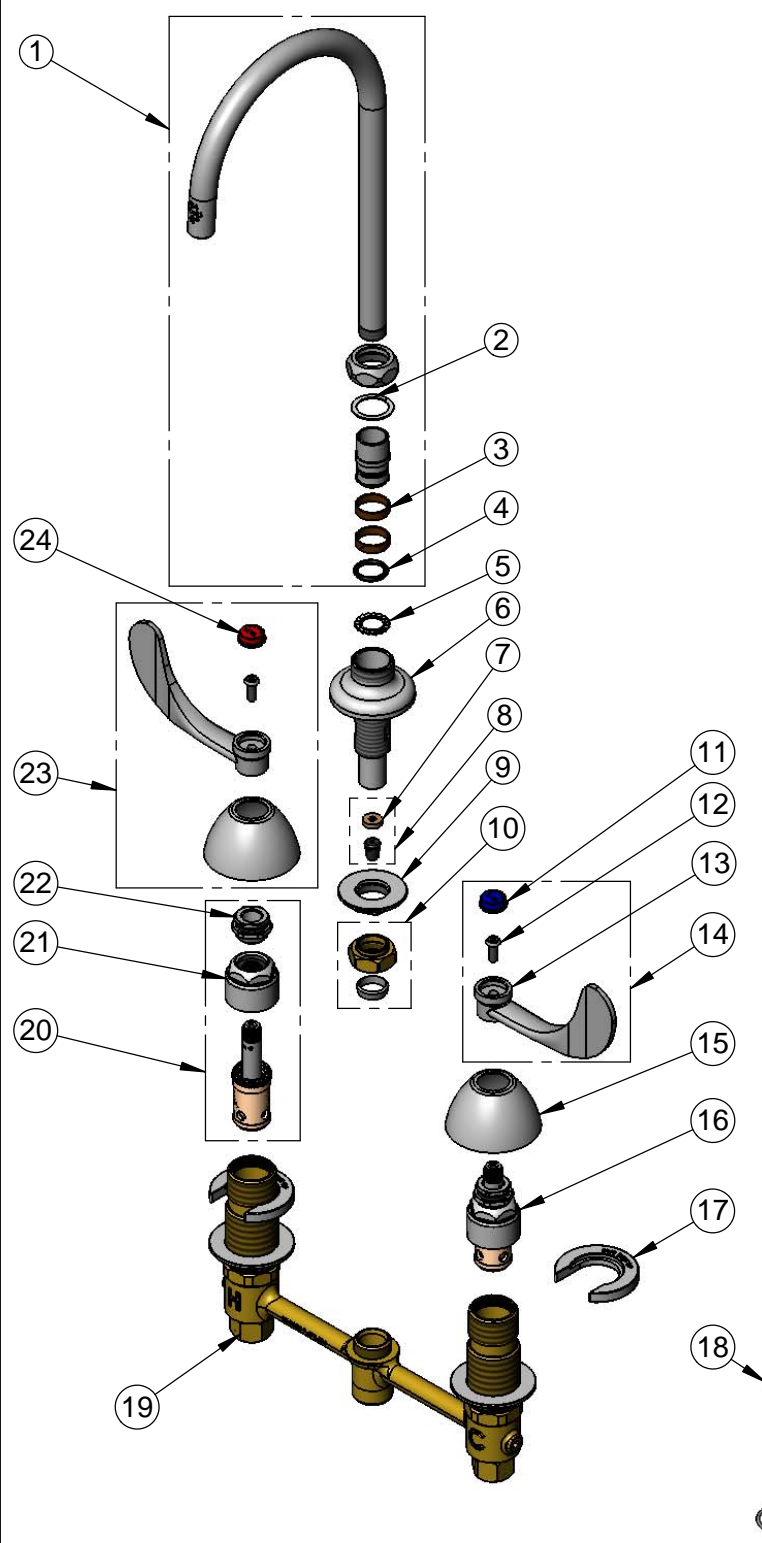
2 Saddleback Cove / P.O. Box 1088  
Travelers Rest, SC 29690

Model No.

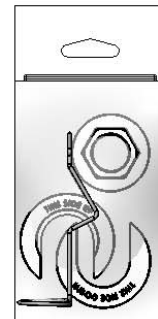
**B-2866-05-FC15**

Item No.

Travelers Rest, SC: 800-476-4103 • Simi Valley, CA: 800-423-0150 • Fax: 864-834-3518 • www.tsbrass.com



ITEM NO.	SALES NO.	DESCRIPTION
1	133XP	Plain End Swivel Gooseneck
2	009538-45	Swivel Washer
3	011429-45	Swivel Sleeves (2)
4	001074-45	O-Ring
5	014200-45	Star Washer, Anti-Rotation
6	016754-40	EasyInstall CWS Swivel Center Shank
7	009069-45	Flow Control Holder
8	155-FCR-F15	Flow Tower & Retainer
9	016742-45	Center Flange Nut
10	016745-45	Compression Nut & Fitting
11	001686-45	Blue Index - CW
12	000925-45	Lab Handle Screw
13	B-WH4	4" Wrist Action Handle
14	B-WH4C	4" Wrist Action Handle, Screw & Cold Index
15	001257-40	Bell Escutcheon
16	016752-40	EasyInstall CWS LTC Eterna (Teflon)
17	016749-45	Sidebody C-Washer
18	016777-45	CWS Hanger
19	000958-20	Coupling Nut
20	016753-40	EasyInstall CWS RTC Eterna (Teflon)
21	016743-25	CWS Eterna Bonnet
22	009002-25	Packing Nut
23	B-WH4H	4" Wrist Action Handle, Screw & Hot Index
24	001194-45	Red Index - HW



017245-40  
Installation Repair Kit  
Includes #9, (2)#17 & #18

**Product Specifications:**

8" Deck Mount EasyInstall Mixing Faucet, Eterna Cartridges, 4" Wrist Action Handles, Swivel Gooseneck, Plain End Outlet, 1.4 GPM Flow Control & 1/2" NPSM Male Inlets

**Product Compliance:**

ASME A112.18.1 / CSA B125.1  
NSF 61 - Section 9  
NSF 372 (Low Lead Content)  
ANSI A117.1 (ADA)