



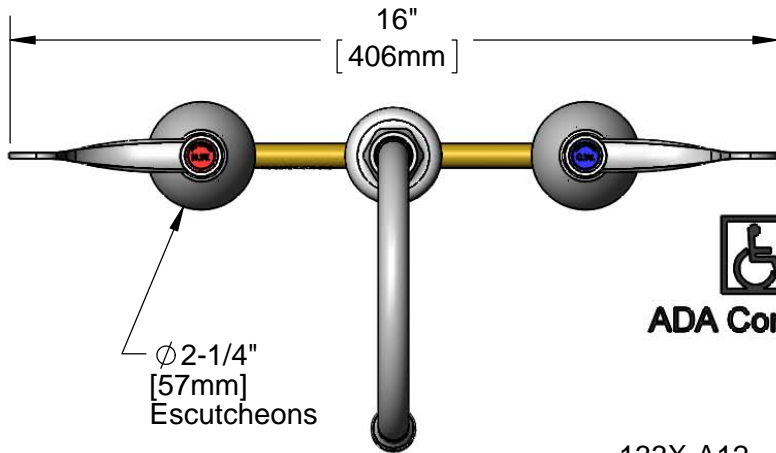
T&S BRASS AND BRONZE WORKS, INC.
 2 Saddleback Cove / P.O. Box 1088
 Travelers Rest, SC 29690

Model No.

B-2866-05-F12

Item No.

Travelers Rest, SC: 800-476-4103 • Simi Valley, CA: 800-423-0150 • Fax: 864-834-3518 • www.tsbrass.com



This Space for Architect/Engineer Approval

Job Name _____ Date _____

Model Specified _____ Quantity _____

Customer/Wholesaler _____

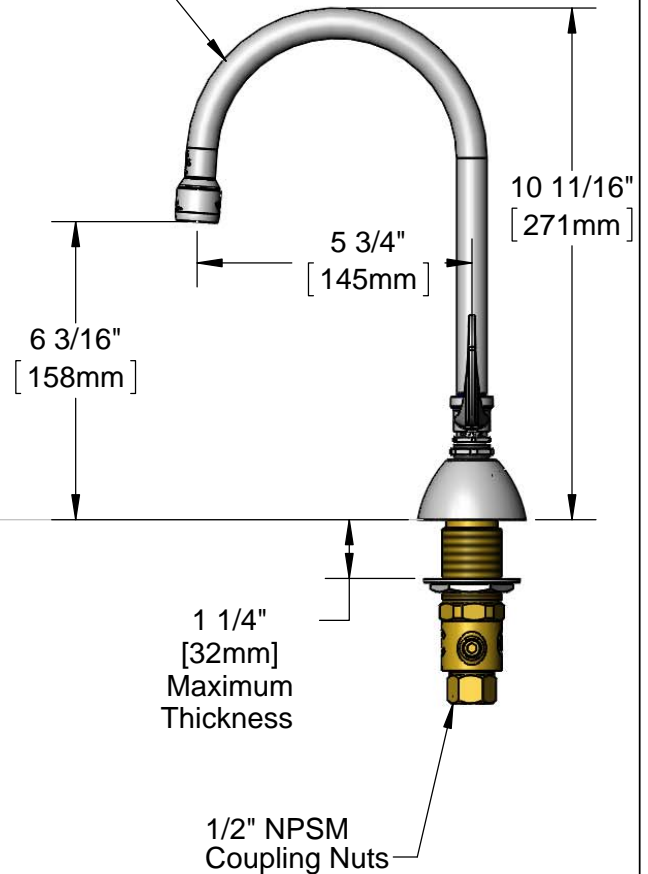
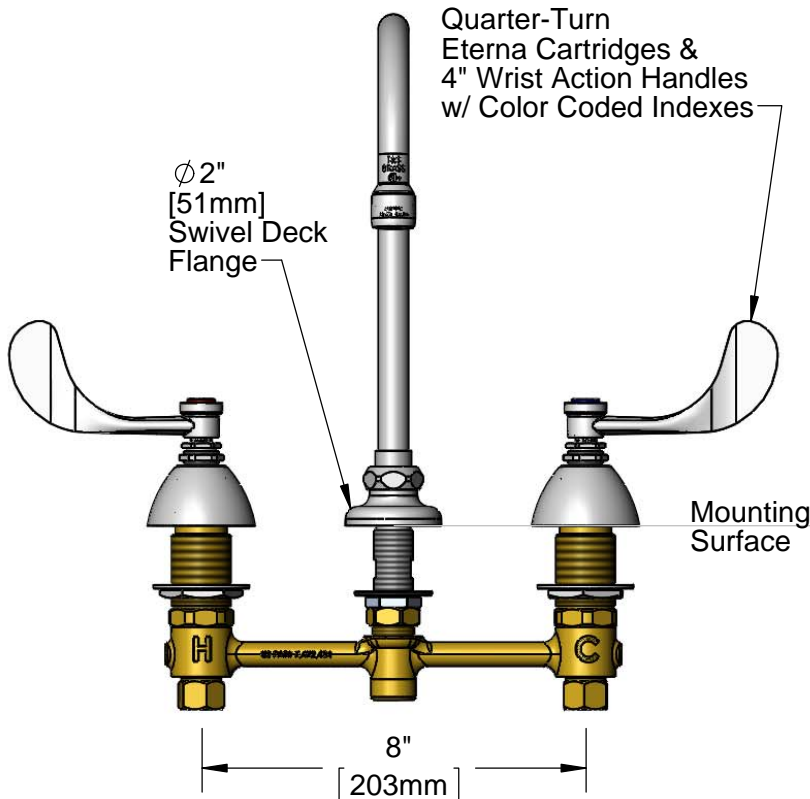
Contractor _____

Architect/Engineer _____



ADA Compliant

133X-A12
 Swivel Gooseneck
 w/ 1.2 GPM Aerator
 (Optional Swivel/Rigid
 Washer Included)



Rough-In Requirement:
 ϕ 1" [25mm] for Center Shank
 ϕ 1-1/2" [38mm] for Hot/Cold Side

Product Specifications:
 EasyInstall 8" Deck Mount Mixing Faucet, 4" Wrist Action Handles,
 Quarter-Turn Eterna Cartridges, 8" Inlet Centers &
 Swivel Gooseneck w/ 1.2 GPM Aerator

Product Compliance:
 ASME A112.18.1 / CSA B125.1
 NSF 61 - Section 9
 NSF 372 (Low Lead Content)
 ANSI A117.1 (ADA)
 EPA WaterSense

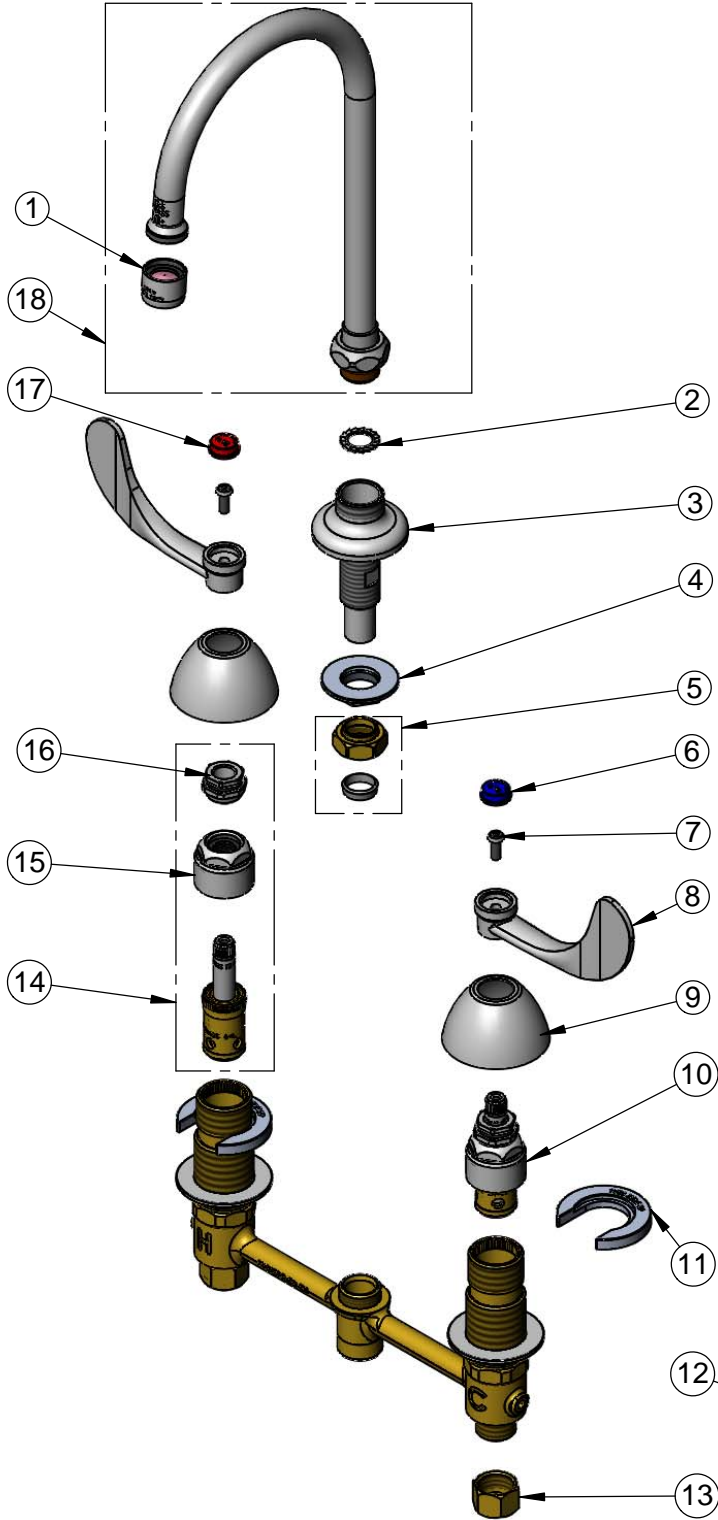


T&S BRASS AND BRONZE WORKS, INC.
 2 Saddleback Cove / P.O. Box 1088
 Travelers Rest, SC 29690

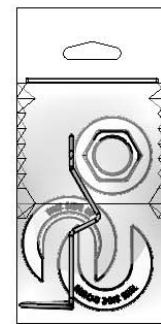
Model No.
B-2866-05-F12

Item No.

Travelers Rest, SC: 800-476-4103 • Simi Valley, CA: 800-423-0150 • Fax: 864-834-3518 • www.tsbrass.com



ITEM NO.	SALES NO.	DESCRIPTION
1	B-0199-01-F12	1.2 GPM Aerator, 55/64-27 UN Female
2	014200-45	Star Washer, Anti-Rotation
3	016754-40	EasyInstall CWS Swivel Center Shank
4	016742-45	Center Flange Nut
5	016745-45	Compression Nut & Fitting
6	001686-45	Blue Index - CW
7	000925-45	Lab Handle Screw
8	B-WH4	4" Wrist Action Handle
9	001257-40	Bell Escutcheon
10	016925-40	LTC Spindle (LH Thread)
11	016749-45	Sidebody C-Washer
12	016777-45	CWS Hanger
13	000958-20	Coupling Nut
14	016926-40	Removable Insert, RH Thread
15	016743-25	CWS Bonnet Assembly
16	009002-25	Packing Nut Assembly
17	001194-45	Red Index - HW
18	133X-A12	6" Swivel Gooseneck w/ 1.2 GPM Aerator



017245-40
 Installation Repair Kit
 Includes #4, (2)#11, #12

Product Specifications:
 EasyInstall 8" Deck Mount Mixing Faucet, 4" Wrist Action Handles,
 Quarter-Turn Eterna Cartridges, 8" Inlet Centers &
 Swivel Gooseneck w/ 1.2 GPM Aerator

Product Compliance:
 ASME A112.18.1 / CSA B125.1
 NSF 61 - Section 9
 NSF 372 (Low Lead Content)
 ANSI A117.1 (ADA)
 EPA WaterSense