



T&S BRASS AND BRONZE WORKS, INC.

2 Saddleback Cove / P.O. Box 1088
Travelers Rest, SC 29690

Model No.

B-2866-04VRS

Item No.

Travelers Rest, SC: 800-476-4103 • Simi Valley, CA: 800-423-0150 • Fax: 864-834-3518 • www.tsbrass.com

This Space for Architect/Engineer Approval

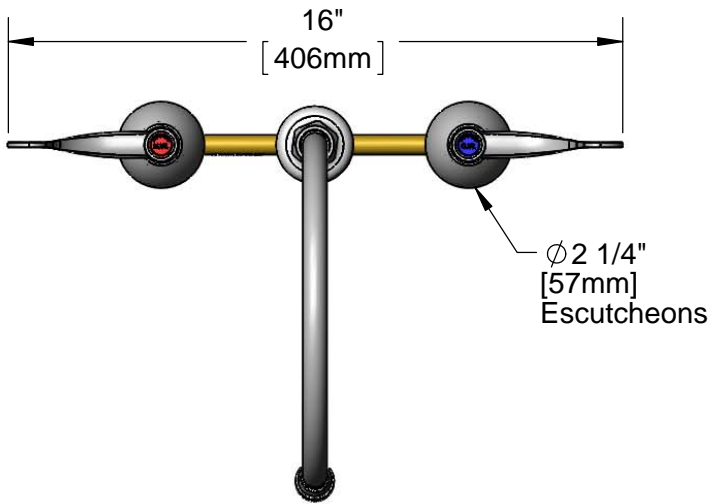
Job Name _____ Date _____

Model Specified _____ Quantity _____

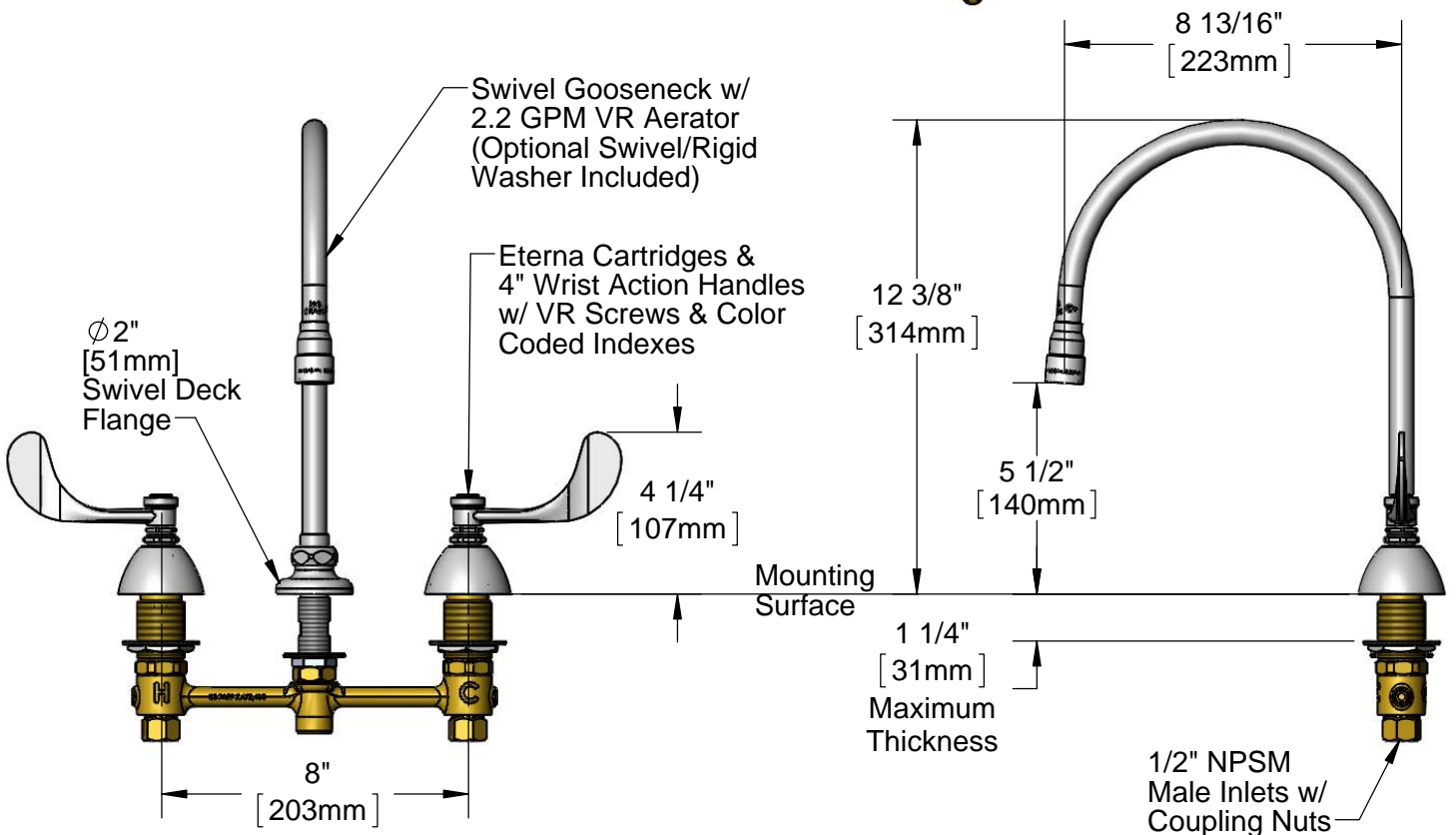
Customer/Wholesaler _____

Contractor _____

Architect/Engineer _____



ADA Compliant



Rough-In Requirement:
Ø 1" [25mm] for Center Shank
Ø 1-1/2" [38mm] for Hot/Cold Side

Product Specifications:
EasyInstall 8" Concealed Mixing Faucet w/ 4" Wrist Action Handles w/ VR Screws, Eterna Cartridges & Swivel Gooseneck w/ 2.2 GPM VR Aerator

Product Compliance:
ASME A112.18.1 / CSA B125.1
NSF 61 - Section 9
NSF 372 (Low Lead Content)
ANSI A117.1 (ADA)

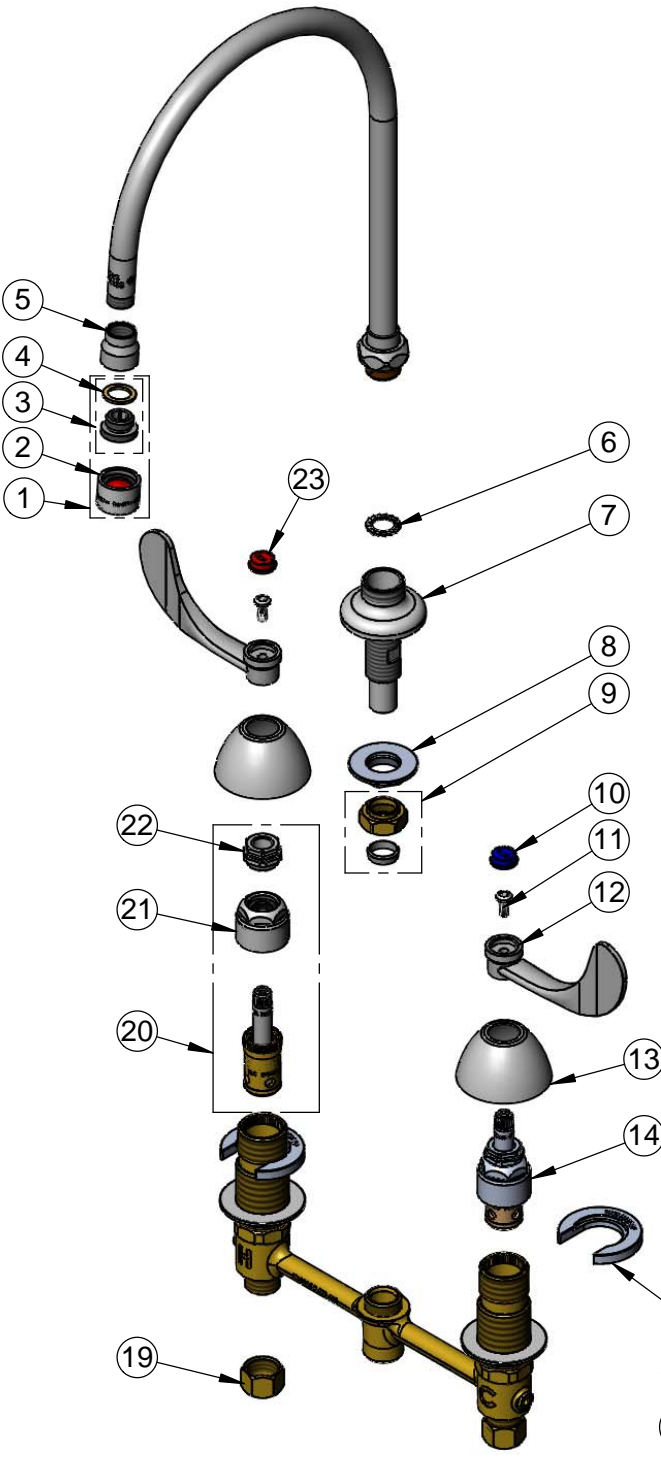


T&S BRASS AND BRONZE WORKS, INC.
 2 Saddleback Cove / P.O. Box 1088
 Travelers Rest, SC 29690

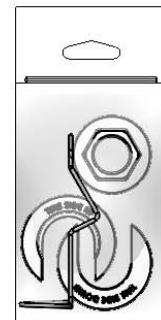
Model No.
B-2866-04VRS

Item No.

Travelers Rest, SC: 800-476-4103 • Simi Valley, CA: 800-423-0150 • Fax: 864-834-3518 • www.tsbrass.com



ITEM NO.	SALES NO.	DESCRIPTION
1	B-0199-07	VR Male Aerator w/ Key
2	B-0199-06	VR Female Aerator w/ Key
3	044A	3/8" to Aerator Adapter
4	001043-45	Washer
5	000557-25	Bell Adapter, 5/8-27 UN Female x 3/8" NPSM Female
6	014200-45	Star Washer, Anti-Rotation
7	016754-40	EasyInstall CWS Swivel Center Shank
8	016742-45	Center Flange Nut
9	016745-45	Compression Nut & Fitting
10	001686-45	Blue Index - CW
11	VRS-2	VR Screw w/ Spanner Bit
12	B-WH4	4" Wrist Action Handle
13	001257-40	Bell Escutcheon
14	016752-40	EasyInstall CWS LTC Eterna (Teflon)
15	015425-45	Vandal Resistant Key
16	016749-45	Sidebody C-Washer
17	014075-45	#10 Spanner Bit
18	016777-45	CWS Hanger
19	000958-20	Coupling Nut
20	016753-40	EasyInstall CWS RTC Eterna (Teflon)
21	016743-25	CWS Bonnet Assembly
22	009002-25	Packing Nut Assembly
23	001194-45	Red Index - HW



017245-40
 Installation Repair Kit
 Includes #8, (2)#16, & #18

Product Specifications:
 EasyInstall 8" Concealed Mixing Faucet w/ 4" Wrist Action Handles w/ VR Screws, Eterna Cartridges & Swivel Gooseneck w/ 2.2 GPM VR Aerator

Product Compliance:
 ASME A112.18.1 / CSA B125.1
 NSF 61 - Section 9
 NSF 372 (Low Lead Content)
 ANSI A117.1 (ADA)