

T&S BRASS AND BRONZE WORKS, INC.

2 Saddleback Cove / P.O. Box 1088
Travelers Rest, SC 29690

Model No.

B-2866-04LN

Item No.

Travelers Rest, SC: 800-476-4103 • Simi Valley, CA: 800-423-0150 • Fax: 864-834-3518 • www.tsbrass.com

This Space for Architect/Engineer Approval

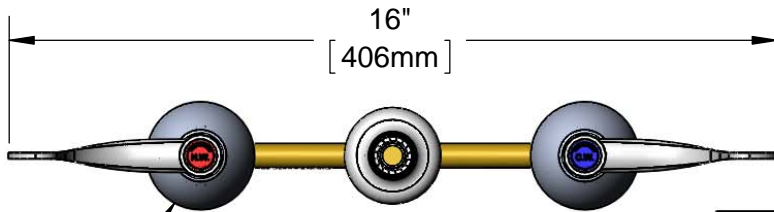
Job Name _____ Date _____

Model Specified _____ Quantity _____

Customer/Wholesaler _____

Contractor _____

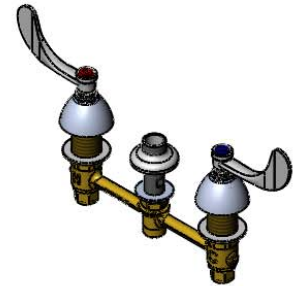
Architect/Engineer _____



Ø 2-1/4" [57mm]
Escutcheons



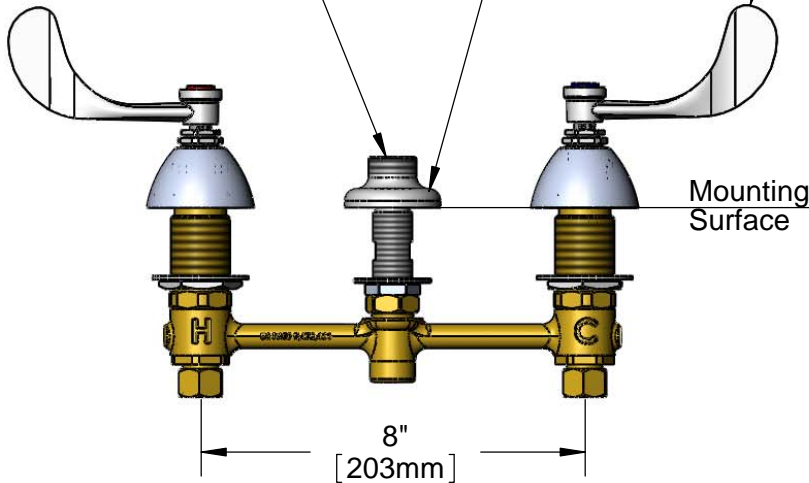
ADA Compliant



Eterna Cartridges &
4" Wrist Action Handles
w/ Color Coded Indexes

Swivel Outlet Accepts
Standard T&S Swing Nozzles
(Optional Swivel/Rigid
Washer Included)

Ø 2" [51mm]
Swivel Deck
Flange



Mounting
Surface

1-1/4" [32mm]
Max Thickness

1/2" NPSM
Coupling Nuts

8" [203mm]

Rough-In Requirement:

Ø 1" [25mm] for Center Shank

Ø 1-1/2" [38mm] for Hot/Cold Side

Product Specifications:

EasyInstall Faucet w/ 4" Wrist Action Handles, Eterna Cartridges,
8" Inlet Centers, Less Nozzle

Drawn

JRM

Checked

JRM

Approved

JHB

Scale:

1:4

Date:

06/21/12



T&S BRASS AND BRONZE WORKS, INC.

2 Saddleback Cove / P.O. Box 1088
Travelers Rest, SC 29690

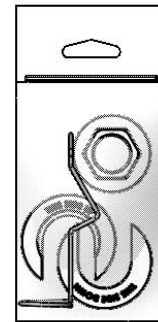
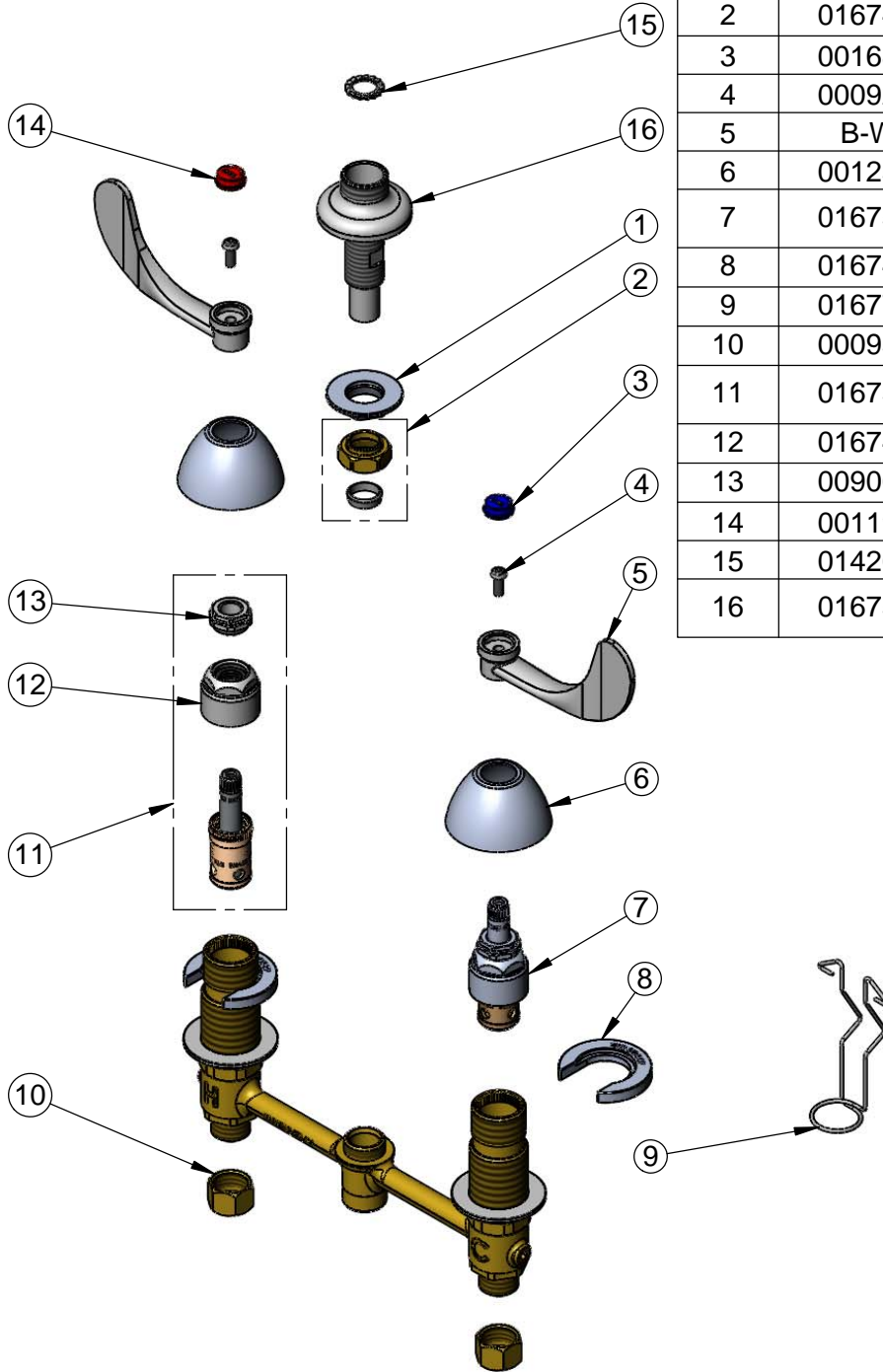
Model No.

B-2866-04LN

Item No.

Travelers Rest, SC: 800-476-4103 • Simi Valley, CA: 800-423-0150 • Fax: 864-834-3518 • www.tsbrass.com

ITEM NO.	SALES NO.	DESCRIPTION
1	016742-45	Center Flange Nut
2	016745-45	Compression Nut & Fitting
3	001686-45	Blue CW Index
4	000925-45	Lab Handle Screw
5	B-WH4	4" Wrist Action Handle
6	001257-40	Bell Escutcheon
7	016752-40	EasyInstall CWS LTC Eterna (Teflon)
8	016749-45	Sidebody C-Washer
9	016777-45	CWS Hanger
10	000958-20	Coupling Nut
11	016753-40	EasyInstall CWS RTC Eterna (Teflon)
12	016743-25	CWS Bonnet Assembly
13	009002-25	Packing Nut Assembly
14	001194-45	Red HW Index
15	014200-45	Star Washer, Anti-Rotation
16	016754-40	EasyInstall CWS Swivel Center Shank



017245-40
Installation Repair Kit
Includes #1, (2)#8, & #9

Product Specifications:

EasyInstall Faucet w/ 4" Wrist Action Handles, Eterna Cartridges, 8" Inlet Centers, Less Nozzle

Drawn

JRM

Checked

JRM

Approved

JHB

Scale:

NTS

Date:

06/21/12