



# T&S BRASS AND BRONZE WORKS, INC.

2 Saddleback Cove / P.O. Box 1088  
Travelers Rest, SC 29690

Model No.

**B-2866-04L**

Item No.

Travelers Rest, SC: 800-476-4103 • Simi Valley, CA: 800-423-0150 • Fax: 864-834-3518 • www.tsbrass.com



**ADA Compliant**

This Space for Architect/Engineer Approval

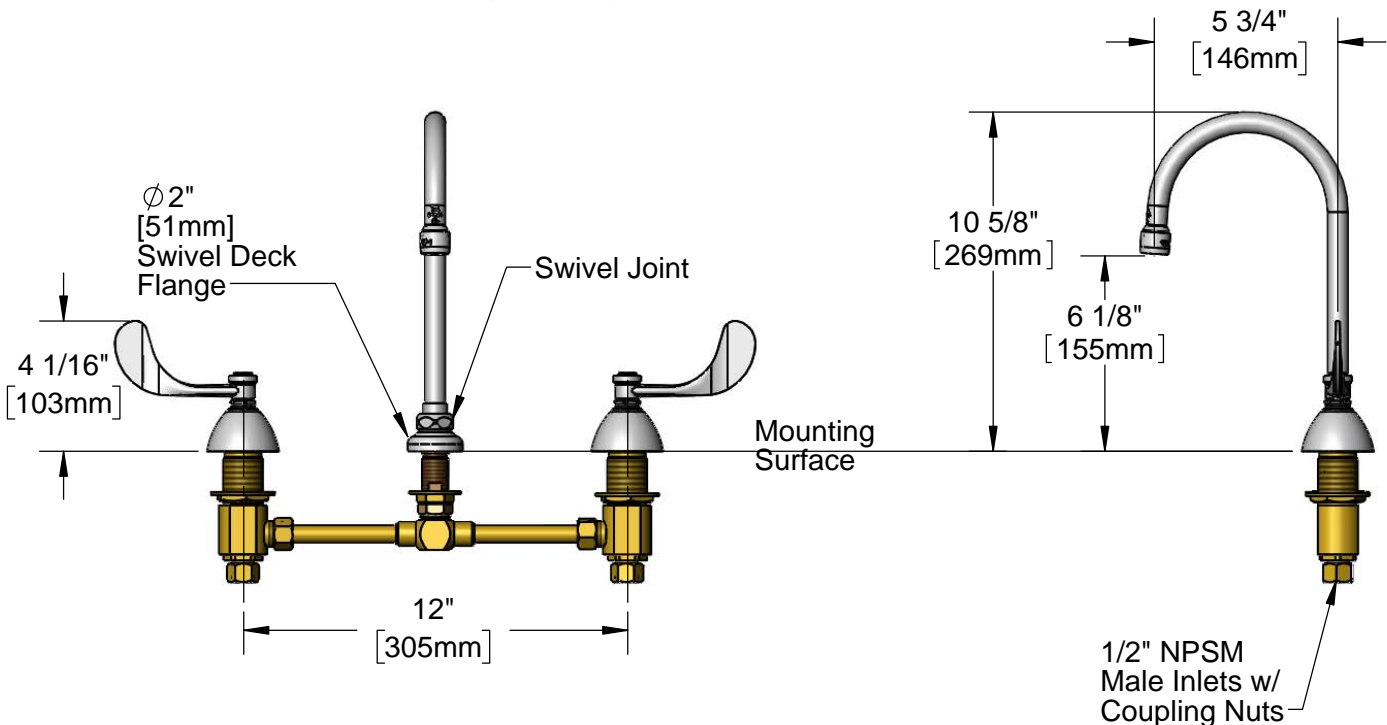
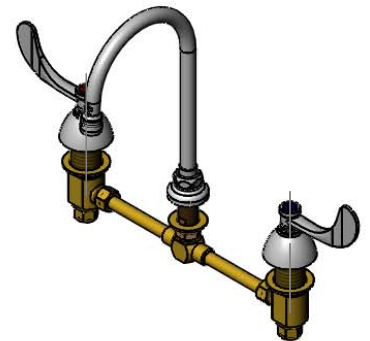
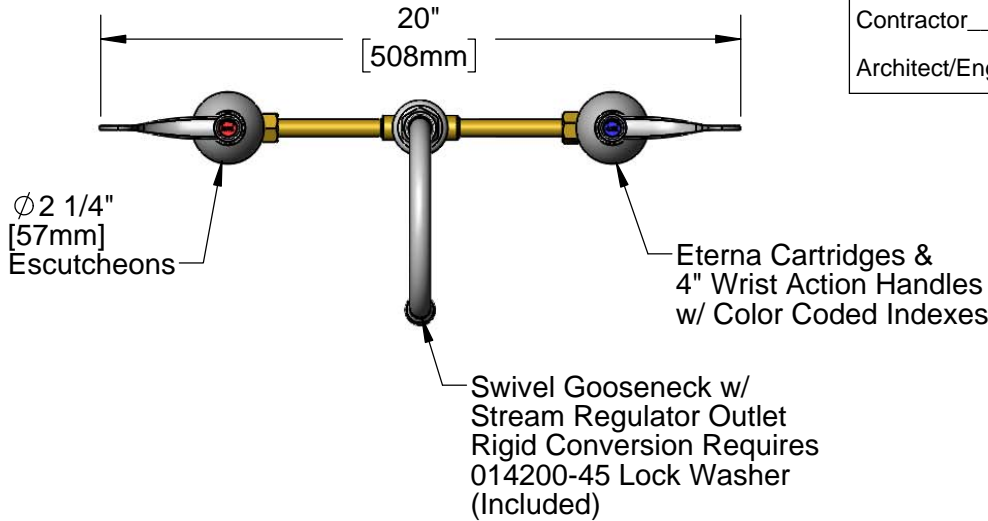
Job Name \_\_\_\_\_ Date \_\_\_\_\_

Model Specified \_\_\_\_\_ Quantity \_\_\_\_\_

Customer/Wholesaler \_\_\_\_\_

Contractor \_\_\_\_\_

Architect/Engineer \_\_\_\_\_



**Rough-In Requirement:**  
Center Shank: Ø 1" [25mm] Mounting Hole  
Hot/Cold Side: Ø 1 1/2" [38mm] Mounting Holes

**Product Specifications:**  
12" Deck Mount Mixing Faucet, Eterna Cartridges, 4" Wrist Action Handles, Swivel Gooseneck, Rosespray Outlet & 1/2" NPSM Male Inlets

**Product Compliance:**  
ASME A112.18.1 / CSA B125.1  
NSF 61 - Section 9  
NSF 372 (Low Lead Content)  
ANSI A117.1 (ADA)



# T&S BRASS AND BRONZE WORKS, INC.

2 Saddleback Cove / P.O. Box 1088  
Travelers Rest, SC 29690

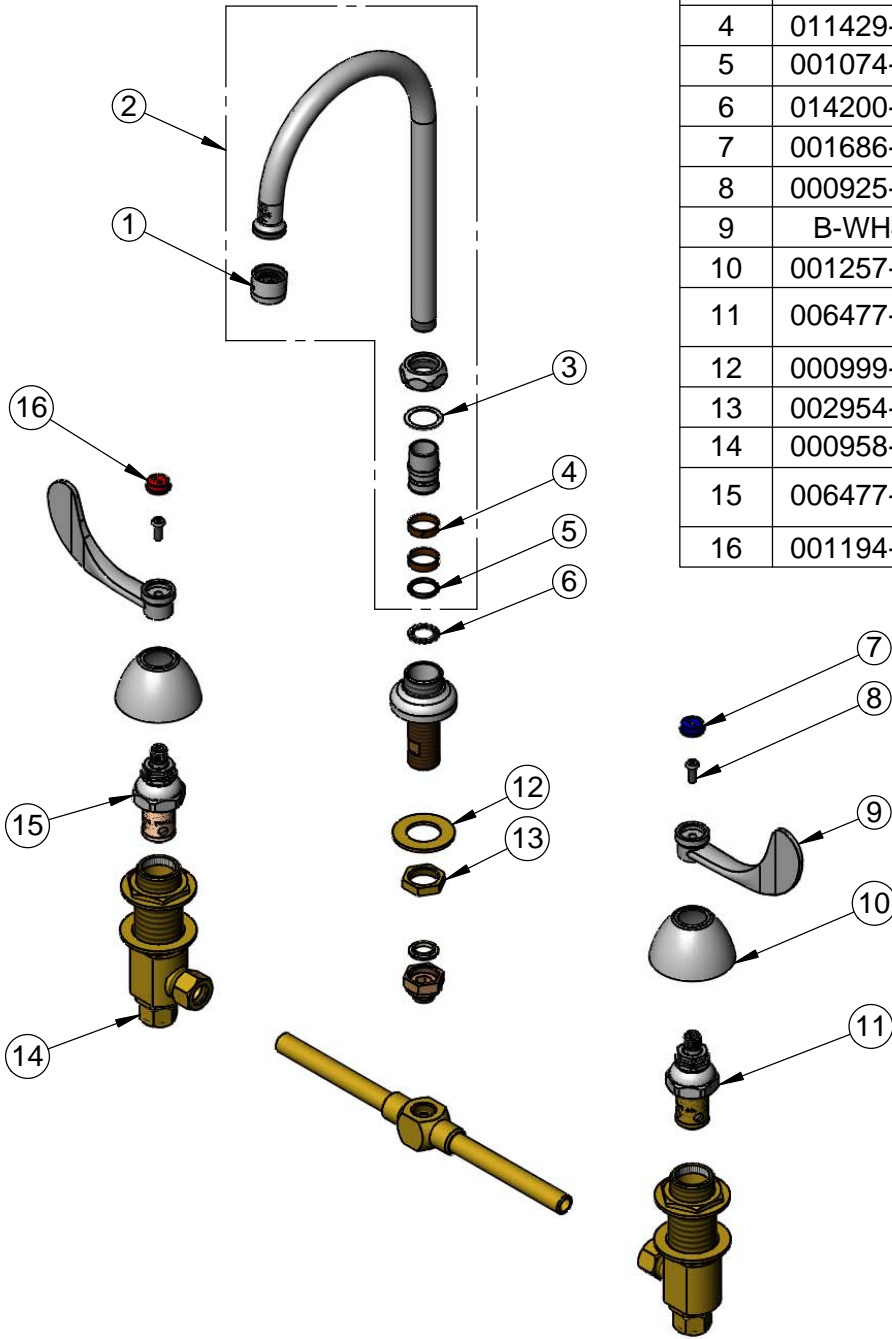
Model No.

**B-2866-04L**

Item No.

Travelers Rest, SC: 800-476-4103 • Simi Valley, CA: 800-423-0150 • Fax: 864-834-3518 • www.tsbrass.com

ITEM NO.	SALES NO.	DESCRIPTION
1	B-PT	Full Flow Stream Regulator, 55/64-27
2	133X	6" Swivel Gooseneck
3	009538-45	Swivel Washer
4	011429-45	Swivel Sleeves (2)
5	001074-45	O-Ring
6	014200-45	Star Washer, Anti-Rotation
7	001686-45	Blue Index - CW
8	000925-45	Lab Handle Screw
9	B-WH4	4" Wrist Action Handle
10	001257-40	Bell Escutcheon
11	006477-40	Eterna Cartridge, LTC (Teflon) w/ Escutcheon Bonnet
12	000999-45	Brass Lock Washer
13	002954-45	Shank Lock Nut
14	000958-20	Coupling Nut
15	006477-40	Eterna Cartridge, LTC (Teflon) w/ Escutcheon Bonnet
16	001194-45	Red Index - HW



**Product Specifications:**

12" Deck Mount Mixing Faucet, Eterna Cartridges, 4" Wrist Action Handles, Swivel Gooseneck, Rosespray Outlet & 1/2" NPSM Male Inlets

**Product Compliance:**

ASME A112.18.1 / CSA B125.1  
NSF 61 - Section 9  
NSF 372 (Low Lead Content)  
ANSI A117.1 (ADA)