



T&S BRASS AND BRONZE WORKS, INC.

2 Saddleback Cove / P.O. Box 1088
Travelers Rest, SC 29690

Model No.

B-2866-04-F12

Item No.

Travelers Rest, SC: 800-476-4103 • Simi Valley, CA: 800-423-0150 • Fax: 864-834-3518 • www.tsbrass.com



ADA Compliant

This Space for Architect/Engineer Approval

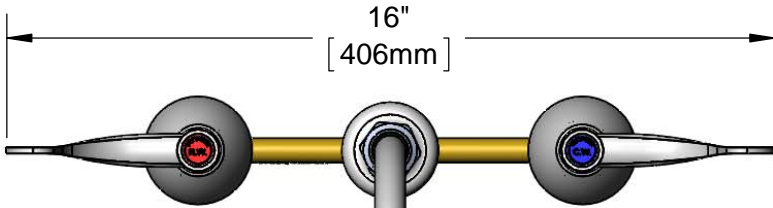
Job Name _____ Date _____

Model Specified _____ Quantity _____

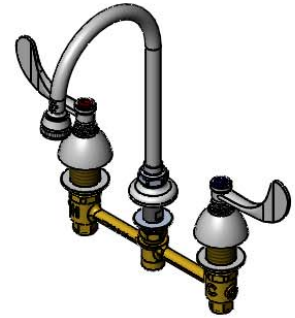
Customer/Wholesaler _____

Contractor _____

Architect/Engineer _____



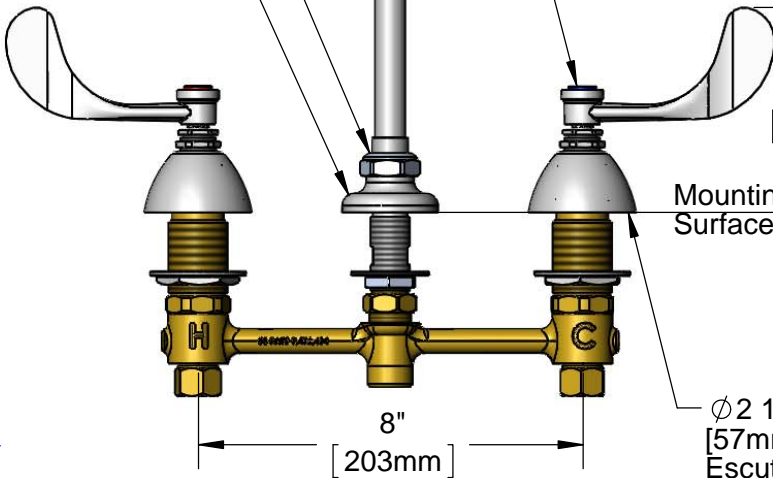
Swivel Gooseneck w/
B-0103-01
Rosespray Outlet.
Rigid Conversion Requires
014200-45 Lock Washer
(Included)



Swivel Joint w/
1.2 GPM Flow
Device

Ø 2"
[51mm]
Swivel Deck
Flange

Quarter-Turn
Eterna Cartridges &
4" Wrist Action Handles
w/ Color Coded Indexes

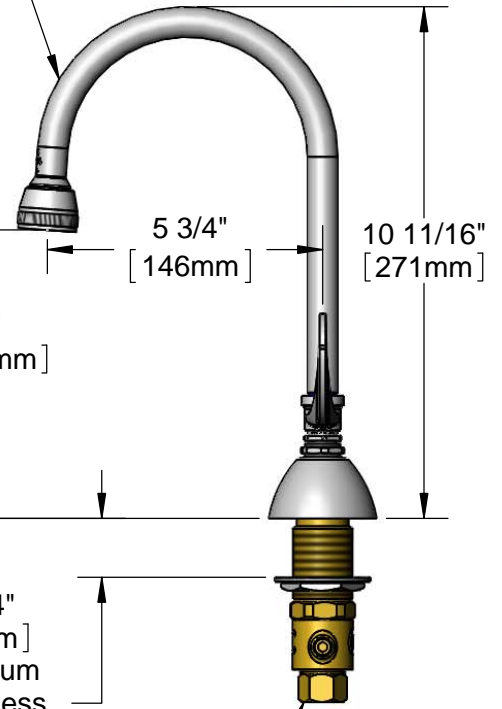


Mounting
Surface

Ø 2 1/4"
[57mm]
Escutcheons

1 1/4"
[31mm]
Maximum
Thickness

1/2" NPSM
Male Inlets w/
Coupling Nuts



Rough-In Requirement:
Center Shank: Ø 1" [25mm] Mounting Hole
Hot/Cold Side: Ø 1 1/2" [38mm] Mounting Holes

Product Specifications:

8" Deck Mount EasyInstall Mixing Faucet, Quarter-Turn Eterna Cartridges, 4" Wrist Action Handles, Swivel Gooseneck, Rosespray Outlet, 1.2 GPM Flow Control Device & 1/2" NPSM Male Inlets

Product Compliance:

ASME A112.18.1 / CSA B125.1
NSF 61 - Section 9
NSF 372 (Low Lead Content)
ANSI A117.1 (ADA)
EPA WaterSense

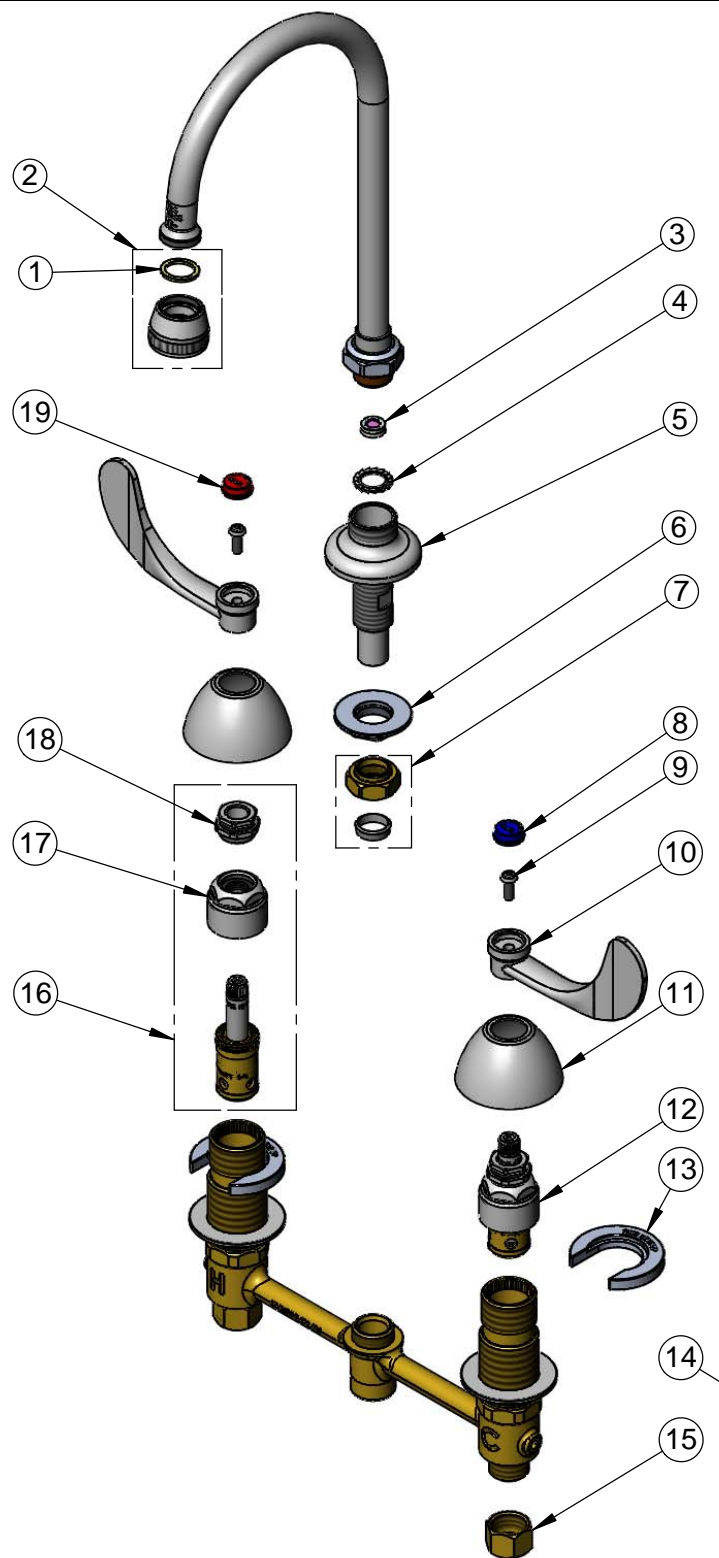


T&S BRASS AND BRONZE WORKS, INC.
 2 Saddleback Cove / P.O. Box 1088
 Travelers Rest, SC 29690

Model No.
B-2866-04-F12

Item No.

Travelers Rest, SC: 800-476-4103 • Simi Valley, CA: 800-423-0150 • Fax: 864-834-3518 • www.tsbrass.com



ITEM NO.	SALES NO.	DESCRIPTION
1	001048-45	Nozzle Tip Washer
2	B-0103-01	Rosespray Outlet, 55/64-27 UN Female
3	FD12	Flow Disc, 1.2 GPM [4.5 L/min.]
4	014200-45	Star Washer, Anti-Rotation
5	016754-40	EasyInstall CWS Swivel Center Shank
6	016742-45	Center Flange Nut
7	016745-45	Compression Nut & Fitting
8	001686-45	Blue Index - CW
9	000925-45	Lab Handle Screw
10	B-WH4	4" Wrist Action Handle
11	001257-40	Bell Escutcheon
12	016925-40	Quarter-Turn EasyInstall CWS LTC Eterna (Teflon)
13	016749-45	Sidebody C-Washer
14	016777-45	CWS Hanger
15	000958-20	Coupling Nut
16	016926-40	Quarter-Turn EasyInstall CWS RTC Eterna (Teflon)
17	016743-25	CWS Bonnet
18	009002-25	Packing Nut
19	001194-45	Red Index - HW



017245-40
 Installation Repair Kit
 Includes #6, (2)#13, & #14

Product Specifications:
 8" Deck Mount EasyInstall Mixing Faucet, Quarter-Turn Eterna Cartridges,
 4" Wrist Action Handles, Swivel Gooseneck, Rosespray Outlet, 1.2 GPM
 Flow Control Device & 1/2" NPSM Male Inlets

Product Compliance:
 ASME A112.18.1 / CSA B125.1
 NSF 61 - Section 9
 NSF 372 (Low Lead Content)
 ANSI A117.1 (ADA)
 EPA WaterSense