



T&S BRASS AND BRONZE WORKS, INC.

2 Saddleback Cove / P.O. Box 1088
Travelers Rest, SC 29690

Model No.

B-2866-04-CW

Item No.

Travelers Rest, SC: 800-476-4103 • Simi Valley, CA: 800-423-0150 • Fax: 864-834-3518 • www.tsbrass.com



ADA Compliant

This Space for Architect/Engineer Approval

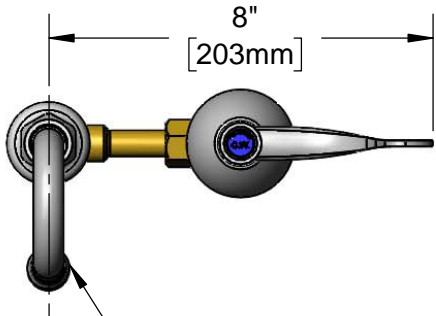
Job Name _____ Date _____

Model Specified _____ Quantity _____

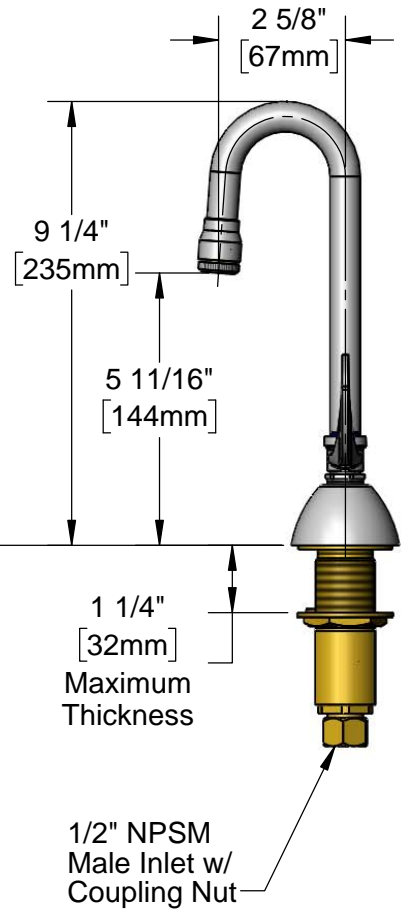
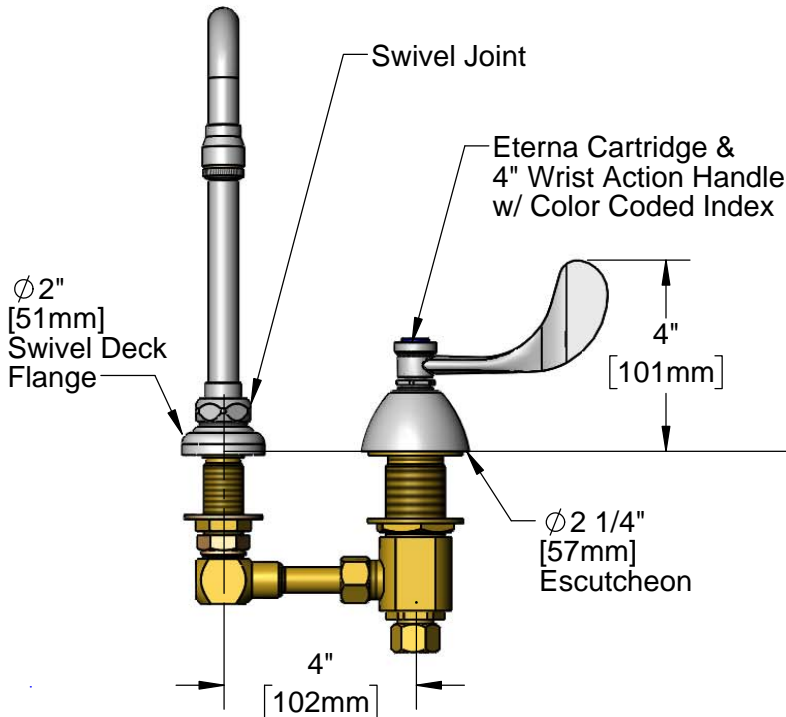
Customer/Wholesaler _____

Contractor _____

Architect/Engineer _____



Swivel Gooseneck w/
Stream Regulator Outlet
Rigid Conversion Requires
014200-45 Lock Washer
(Included)



Rough-In Requirement:
Center Shank: ϕ 1" [25mm] Mounting Hole
Cold Side: ϕ 1 1/2" [38mm] Mounting Hole

Product Specifications:
EasyInstall 4" Concealed Deck Mount Faucet, Cold Eterna Cartridge Side Only, 4" Wrist Action Handle, Swivel Gooseneck, Stream Regulator Outlet & 1/2" NPSM Male Inlet

Product Compliance:
ASME A112.18.1 / CSA B125.1
NSF 61 - Section 9
NSF 372 (Low Lead Content)
ANSI A117.1 (ADA)



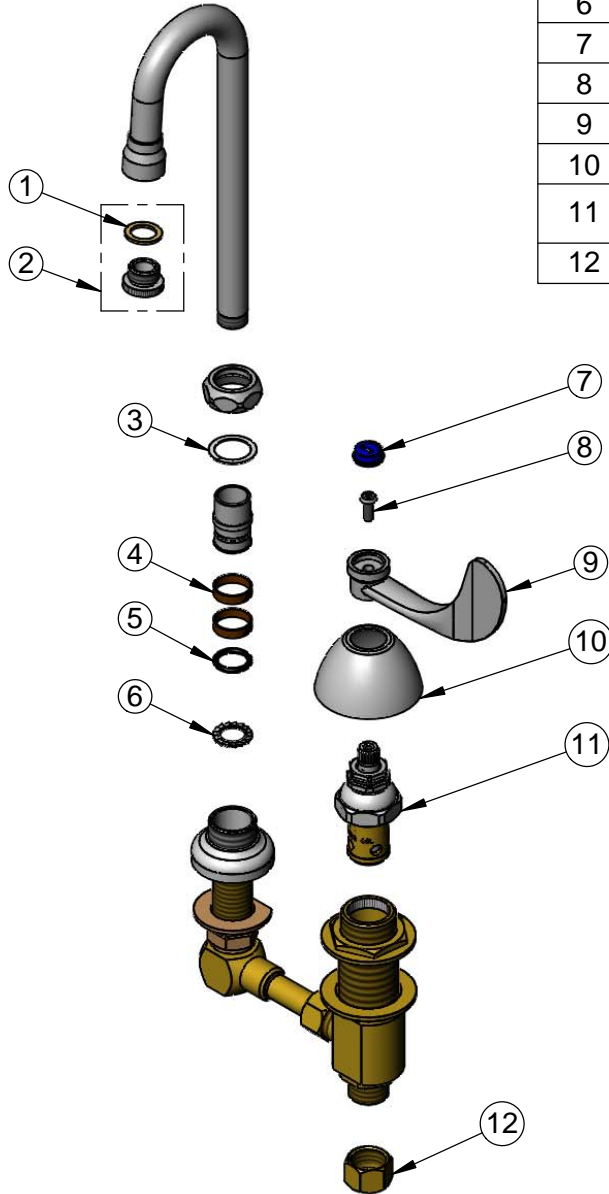
T&S BRASS AND BRONZE WORKS, INC.
 2 Saddleback Cove / P.O. Box 1088
 Travelers Rest, SC 29690

Model No.
B-2866-04-CW

Item No.

Travelers Rest, SC: 800-476-4103 • Simi Valley, CA: 800-423-0150 • Fax: 864-834-3518 • www.tsbrass.com

ITEM NO.	SALES NO.	DESCRIPTION
1	001043-45	Washer
2	BL-T	Stream Regulator Outlet
3	009538-45	Swivel Washer
4	011429-45	Swivel Sleeves (2)
5	001074-45	O-Ring
6	014200-45	Star Washer, Anti-Rotation
7	001686-45	Blue Index - CW
8	000925-45	Lab Handle Screw
9	B-WH4	4" Wrist Action Handle
10	001257-40	Bell Escutcheon
11	006477-40	Eterna Cartridge, LTC (Teflon) w/ Escutcheon Bonnet
12	000958-20	Coupling Nut



Product Specifications:
 EasyInstall 4" Concealed Deck Mount Faucet, Cold Eterna Cartridge Side Only, 4" Wrist Action Handle, Swivel Gooseneck, Stream Regulator Outlet & 1/2" NPSM Male Inlet

Product Compliance:
 ASME A112.18.1 / CSA B125.1
 NSF 61 - Section 9
 NSF 372 (Low Lead Content)
 ANSI A117.1 (ADA)