



T&S BRASS AND BRONZE WORKS, INC.
 2 Saddleback Cove / P.O. Box 1088
 Travelers Rest, SC 29690

Model No.
B-2865-LF05

Item No.

Travelers Rest, SC: 800-476-4103 • Simi Valley, CA: 800-423-0150 • Fax: 864-834-3518 • www.tsbrass.com



ADA Compliant

This Space for Architect/Engineer Approval

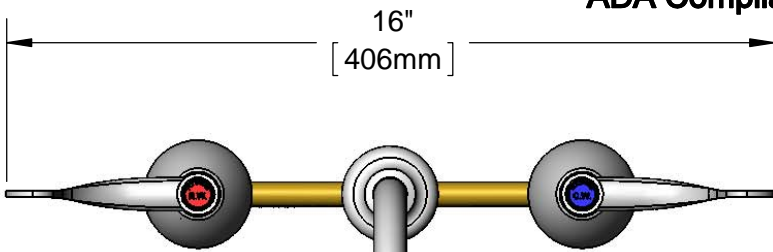
Job Name _____ Date _____

Model Specified _____ Quantity _____

Customer/Wholesaler _____

Contractor _____

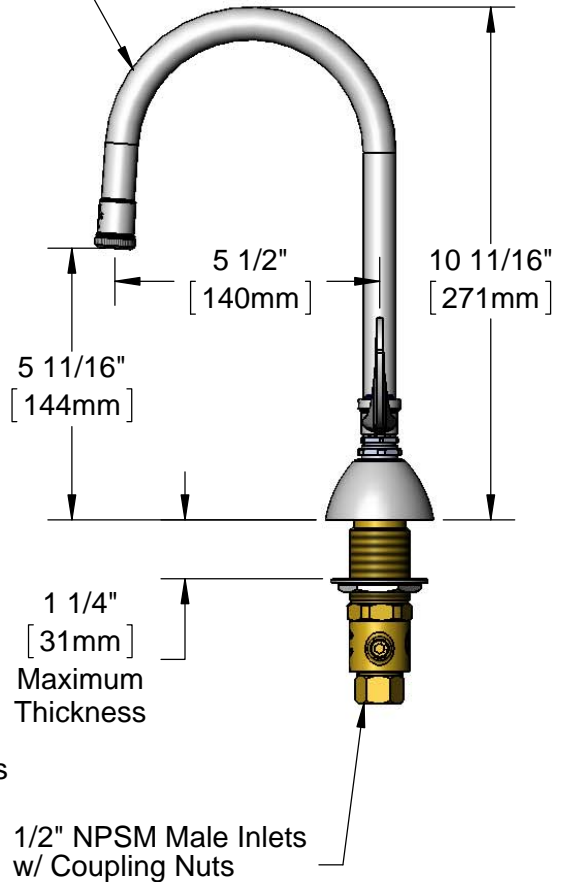
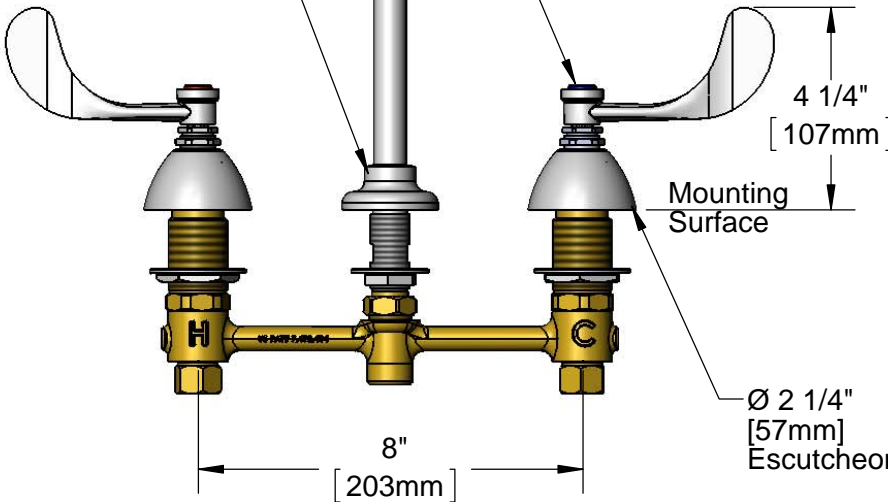
Architect/Engineer _____



120X
 Rigid Gooseneck w/
 Stream Regulator Outlet

Ø 2"
 [51mm]
 Rigid Deck
 Flange w/
 0.5 GPM
 Flow Control

Eterna Cartridges &
 4" Wrist Action
 Handles
 w/ Color Coded
 Indexes



Rough-In Requirement:
 Center Shank: Ø 1" [25mm] Mounting Hole
 Hot/Cold Bodies: Ø 1 1/2" [38mm] Mounting Holes

1/2" NPSM Male Inlets
 w/ Coupling Nuts

Product Specifications:
 8" Deck Mount EasyInstall Mixing Faucet, Eterna Cartridges, 4" Wrist Action
 Handles, Rigid Gooseneck, Stream Regulator Outlet, 0.5 GPM Flow Control
 & 1/2" NPSM Male Inlets

Product Compliance:
 ASME A112.18.1 / CSA B125.1
 NSF 61 - Section 9
 NSF 372 (Low Lead Content)
 ANSI A117.1 (ADA)



T&S BRASS AND BRONZE WORKS, INC.

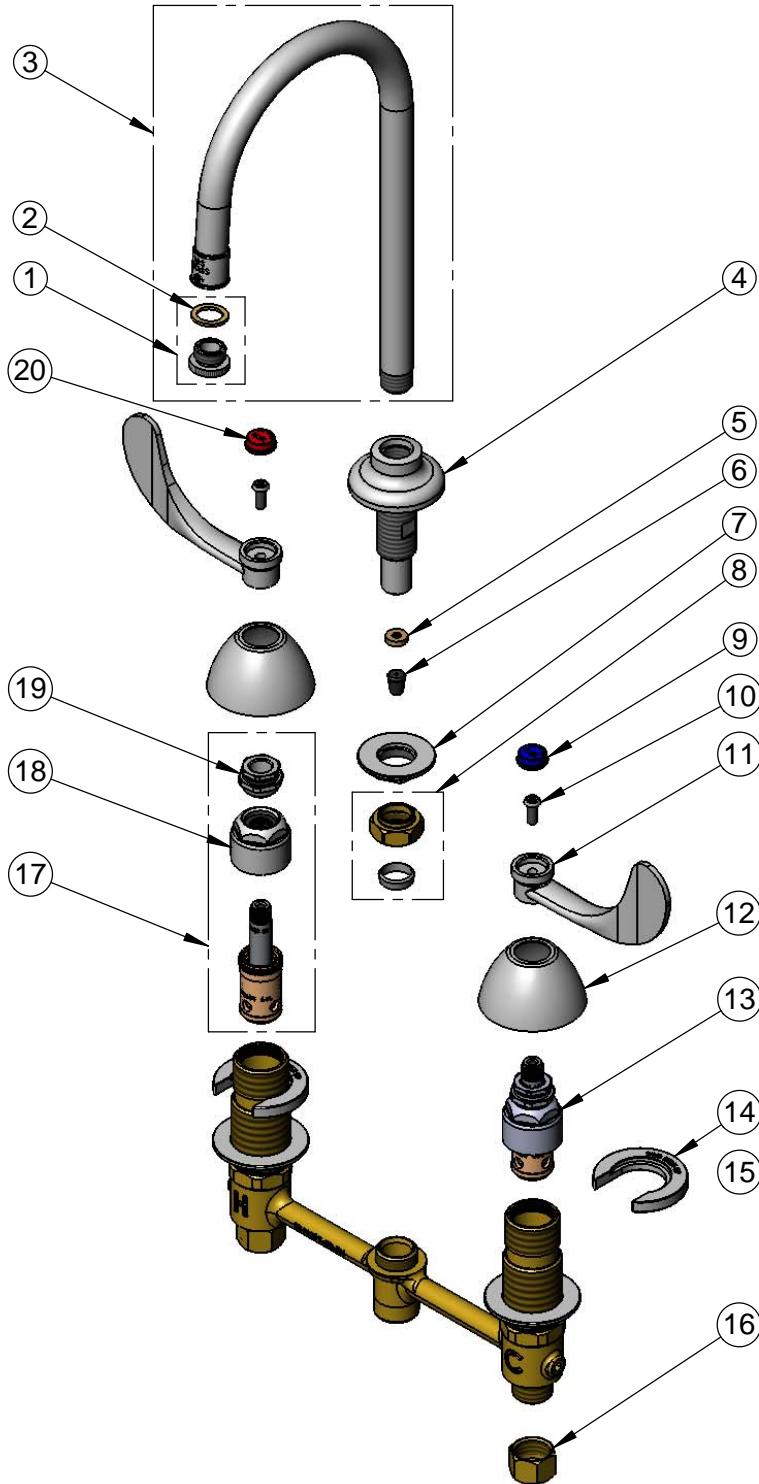
2 Saddleback Cove / P.O. Box 1088
Travelers Rest, SC 29690

Model No.

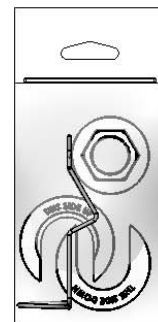
B-2865-LF05

Item No.

Travelers Rest, SC: 800-476-4103 • Simi Valley, CA: 800-423-0150 • Fax: 864-834-3518 • www.tsbrass.com



ITEM NO.	SALES NO.	DESCRIPTION
1	B-LT	Stream Regulator Outlet
2	001043-45	Washer
3	120X	Rigid Gooseneck
4	016847-40	EasyInstall CWS Rigid Center Shank
5	009069-45	Flow Control Holder
6	001640-45	Flow Tower, 0.5 GPM
7	016742-45	Center Flange Nut
8	016745-45	Compression Nut & Fitting
9	001686-45	Blue Index - CW
10	000925-45	Lab Handle Screw
11	B-WH4	4" Wrist Action Handle
12	001257-40	Bell Escutcheon
13	016752-40	EasyInstall CWS LTC Eterna (Teflon)
14	016749-45	Sidebody C-Washer
15	016777-45	CWS Hanger
16	000958-20	Coupling Nut
17	016753-40	EasyInstall CWS RTC Eterna (Teflon)
18	016743-25	CWS Eterna Bonnet
19	009002-25	Packing Nut
20	001194-45	Red Index - HW



017245-40
Installation Repair Kit
Includes #7, (2)#14 & #15

Product Specifications:

8" Deck Mount EasyInstall Mixing Faucet, Eterna Cartridges, 4" Wrist Action Handles, Rigid Gooseneck, Stream Regulator Outlet, 0.5 GPM Flow Control & 1/2" NPSM Male Inlets

Product Compliance:

ASME A112.18.1 / CSA B125.1
NSF 61 - Section 9
NSF 372 (Low Lead Content)
ANSI A117.1 (ADA)