



T&S BRASS AND BRONZE WORKS, INC.

2 Saddleback Cove / P.O. Box 1088
Travelers Rest, SC 29690

Model No.

B-2865-09CRV22

Item No.

Travelers Rest, SC: 800-476-4103 • Simi Valley, CA: 800-423-0150 • Fax: 864-834-3518 • www.tsbrass.com



ADA Compliant

This Space for Architect/Engineer Approval

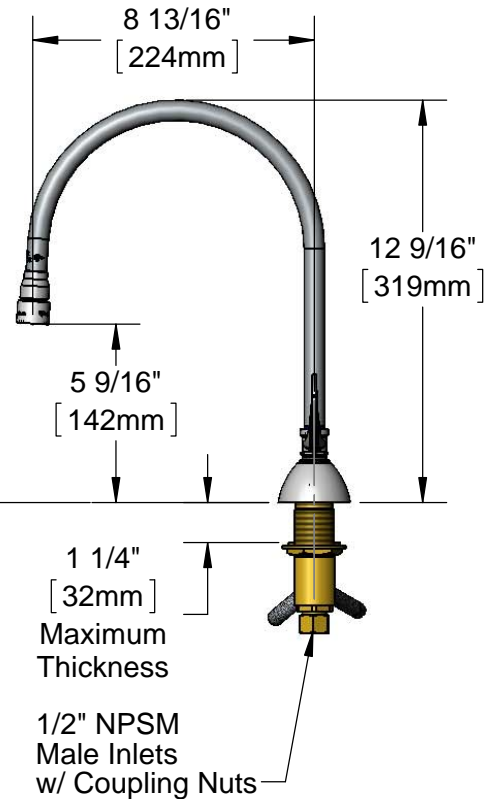
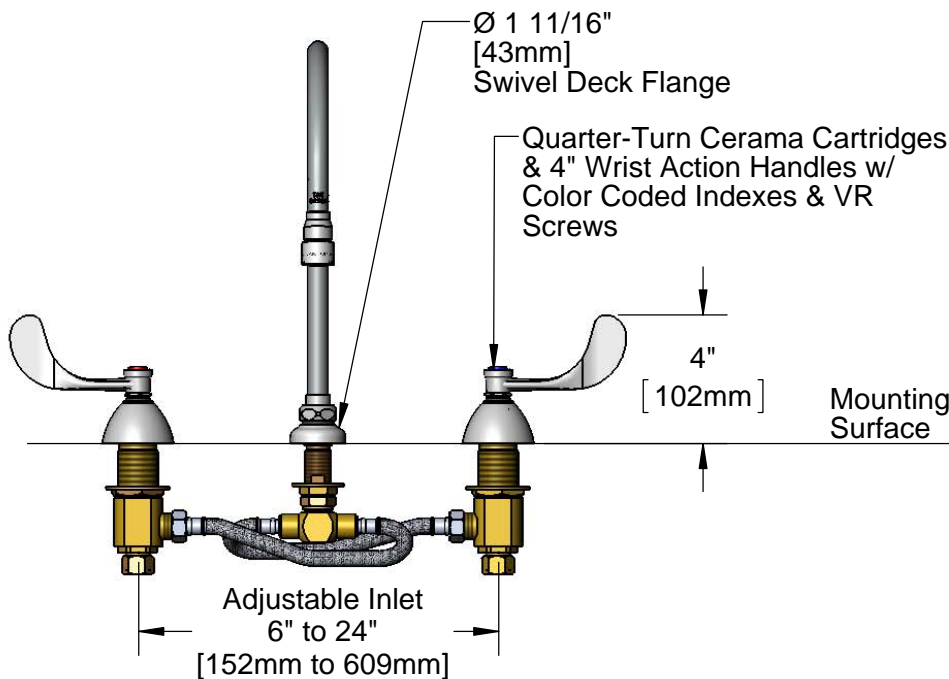
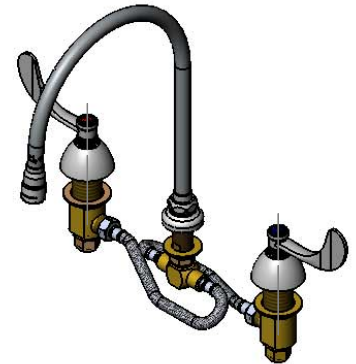
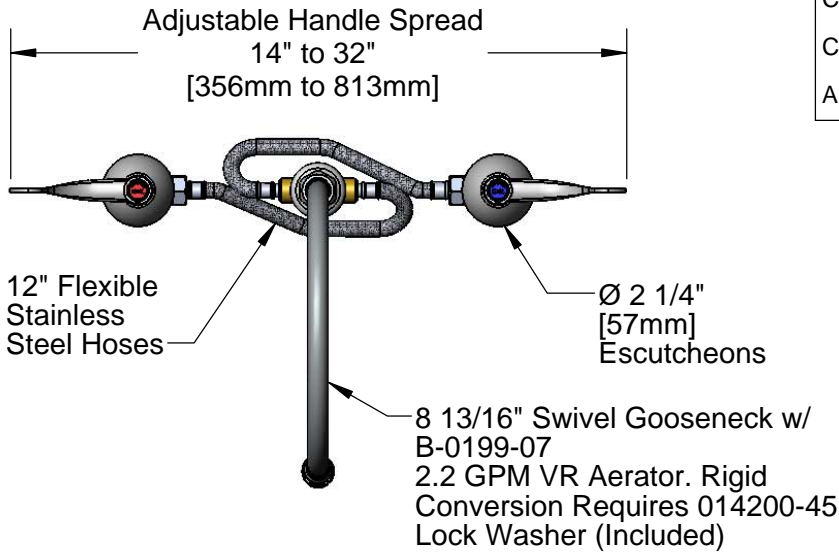
Job Name _____ Date _____

Model Specified _____ Quantity _____

Customer/Wholesaler _____

Contractor _____

Architect/Engineer _____



Rough-In Requirement:
Center Shank: Ø 1" [25mm] Mounting Hole
Hot/Cold Bodies: Ø 1 1/2" [38mm] Mounting Holes

Product Specifications:
Adjustable Deck Mount Mixing Faucet, Quarter-Turn Cerama Cartridges, 4" Wrist Action Handles, VR Screws, 8 13/16" Swivel Gooseneck w/ 2.2 GPM VR Aerator, 12" Flexible Stainless Steel Hoses & 1/2" NPSM Male Inlets w/ Coupling Nuts

Product Compliance:
ASME A112.18.1 / CSA B125.1
NSF 61 - Section 9
NSF 372 (Low Lead Content)
ANSI A117.1 (ADA)



T&S BRASS AND BRONZE WORKS, INC.

2 Saddleback Cove / P.O. Box 1088
Travelers Rest, SC 29690

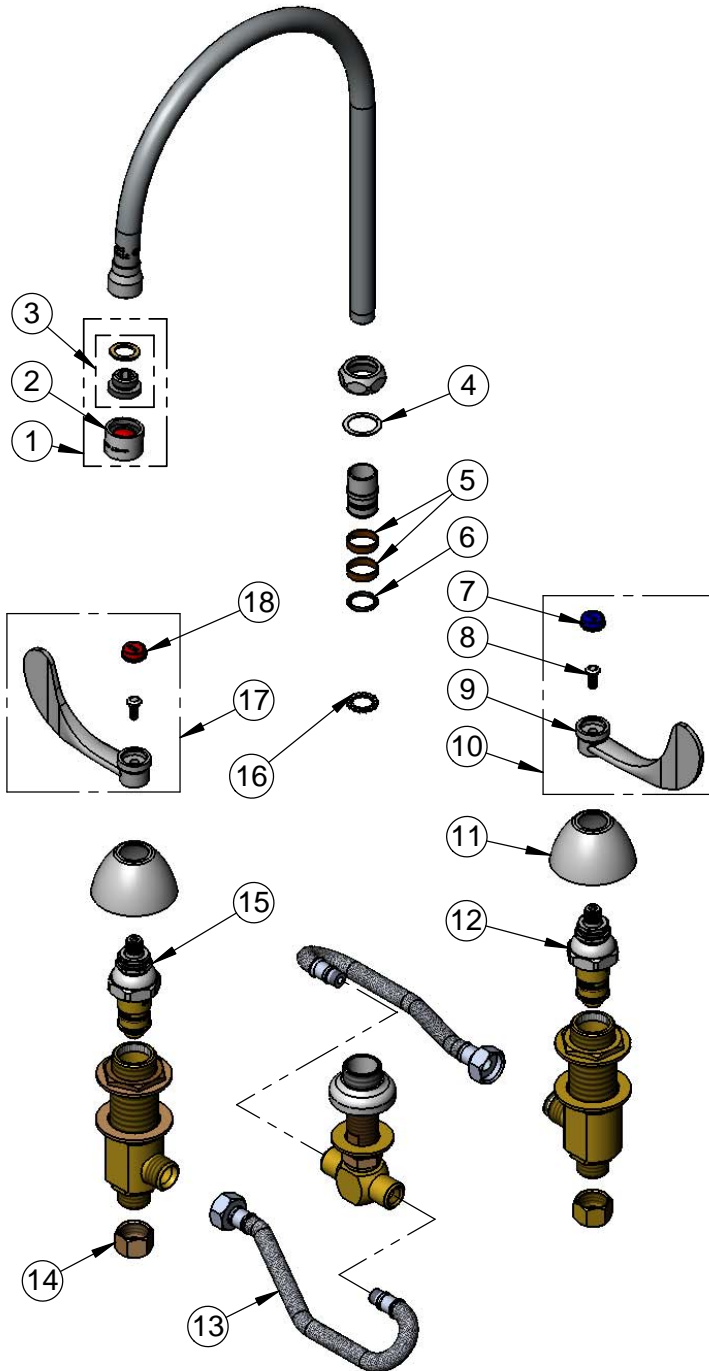
Model No.

B-2865-09CRV22

Item No.

Travelers Rest, SC: 800-476-4103 • Simi Valley, CA: 800-423-0150 • Fax: 864-834-3518 • www.tsbrass.com

ITEM NO.	SALES NO.	DESCRIPTION
1	B-0199-07	VR 2.2 GPM Aerator, 3/8" NPSM Male w/ Key
2	B-0199-06	VR 2.2 GPM Aerator, 55/64-27 UN Female w/ Key
3	044A	3/8" to Aerator Adapter
4	009538-45	Swivel Washer
5	011429-45	Swivel Sleeves (2)
6	001074-45	O-Ring
7	001686-45	Blue Index - CW
8	VRS-2	VR Wrist Action Handle Screw (2) w/ Spanner Bit
9	B-WH4	4" Wrist Action Handle
10	B-WH4C	4" Wrist Action Handle, Screw & Cold Index
11	001257-40	Bell Escutcheon
12	011617-25	Quarter-Turn Cerama Cartridge, LTC w/ Escutcheon Bonnet
13	011649-45	12" Flexible Stainless Steel Hose (2)
14	000958-20	Coupling Nut
15	011616-25	Quarter-Turn Cerama Cartridge, RTC w/ Escutcheon Bonnet
16	014200-45	Star Washer, Anti-Rotation
17	B-WH4H	4" Wrist Action Handle, Screw & Hot Index
18	001194-45	Red Index - HW



014075-45
#10 Spanner Bit
(Included)

015425-45
Vandal Resistant Key
(Included)

Product Specifications:

Adjustable Deck Mount Mixing Faucet, Quarter-Turn Cerama Cartridges, 4" Wrist Action Handles, VR Screws, 8 13/16" Swivel Gooseneck w/ 2.2 GPM VR Aerator, 12" Flexible Stainless Steel Hoses & 1/2" NPSM Male Inlets w/ Coupling Nuts

Product Compliance:

ASME A112.18.1 / CSA B125.1
NSF 61 - Section 9
NSF 372 (Low Lead Content)
ANSI A117.1 (ADA)