



T&S BRASS AND BRONZE WORKS, INC.
 2 Saddleback Cove / P.O. Box 1088
 Travelers Rest, SC 29690

Model No.
B-2865-06CR

Item No.

Travelers Rest, SC: 800-476-4103 • Simi Valley, CA: 800-423-0150 • Fax: 864-834-3518 • www.tsbrass.com



ADA Compliant

This Space for Architect/Engineer Approval

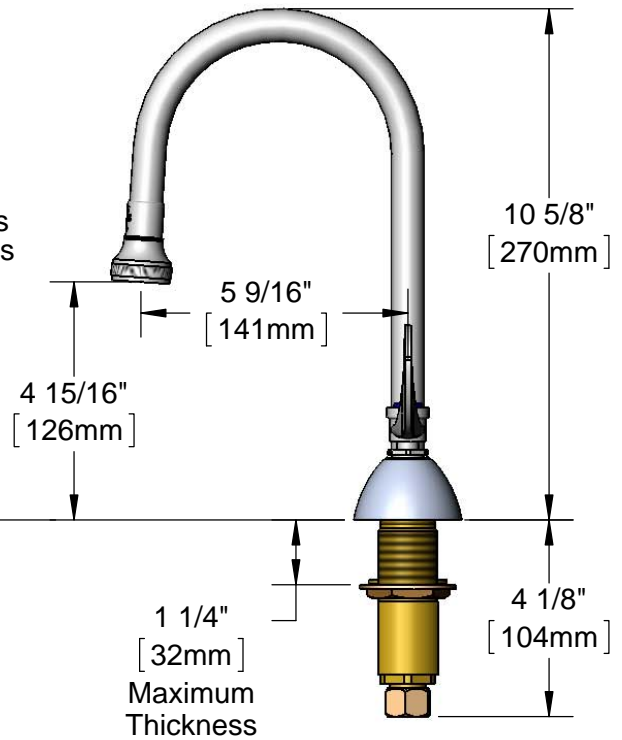
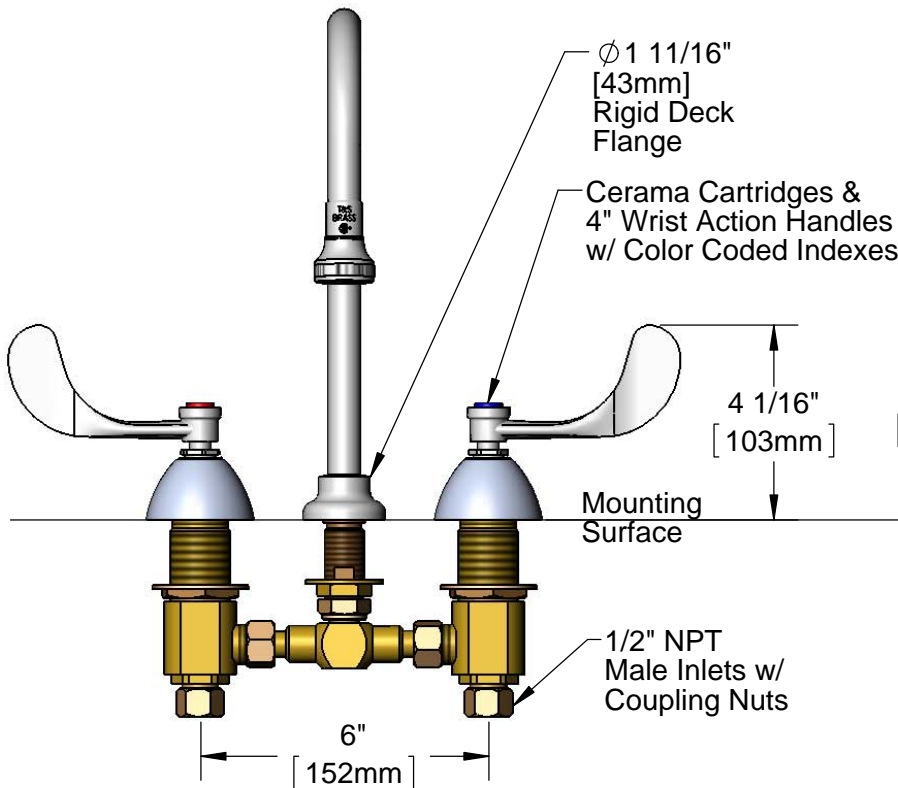
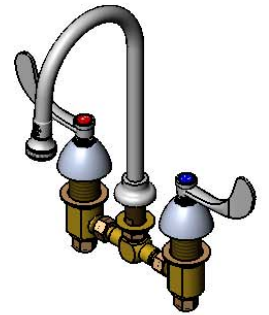
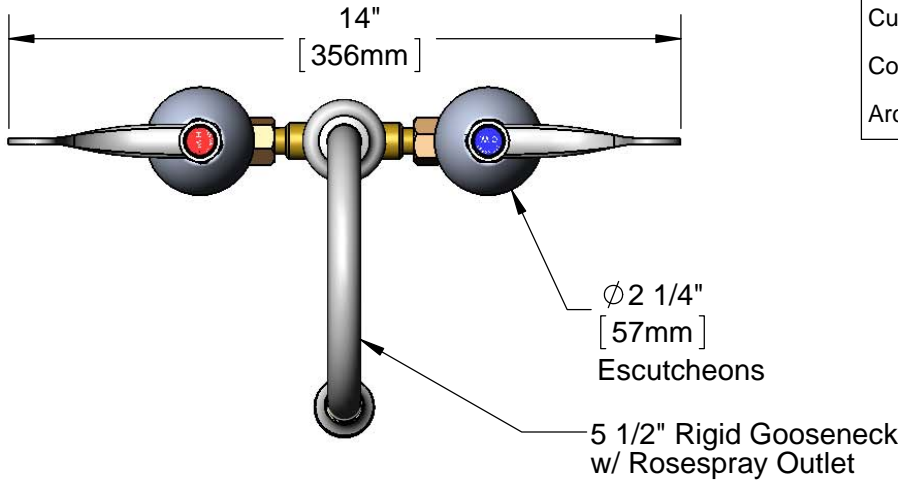
Job Name _____ Date _____

Model Specified _____ Quantity _____

Customer/Wholesaler _____

Contractor _____

Architect/Engineer _____



Rough-In Requirement:
 Center Shank: ϕ 1" [25mm] Mounting Hole
 Hot/Cold Bodies: ϕ 1 1/2" [38mm] Mounting Holes

Product Specifications:
 6" Deck Mount Commercial Faucet, Cerama Cartridges, 4" Wrist Action Handles, 5 1/2" Rigid Goosneck w/ Rosespray Outlet & 1/2" NPT Male Inlets w/ Coupling Nuts

Drawn KJG	Checked DMH	Approved JHB
Scale: 1:4		Date: 02/24/14

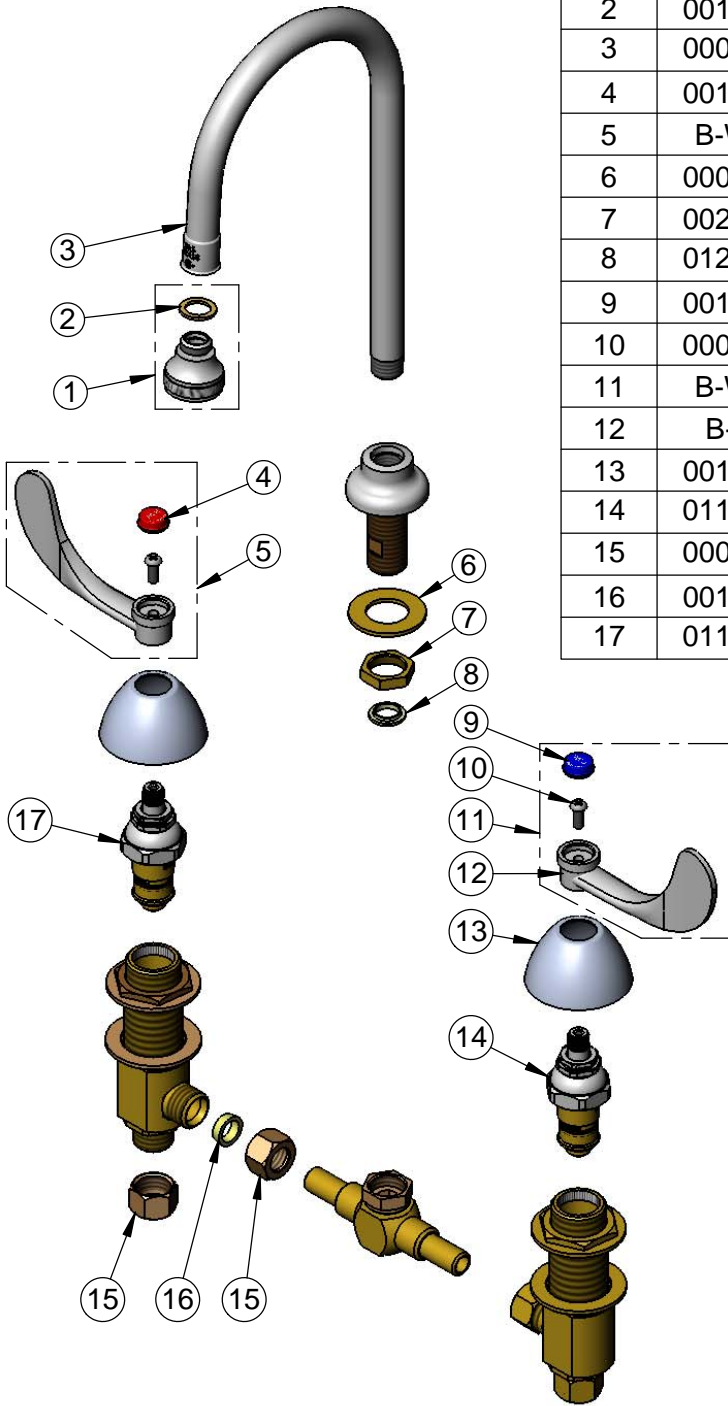


T&S BRASS AND BRONZE WORKS, INC.
 2 Saddleback Cove / P.O. Box 1088
 Travelers Rest, SC 29690

Model No.
B-2865-06CR

Item No.

Travelers Rest, SC: 800-476-4103 • Simi Valley, CA: 800-423-0150 • Fax: 864-834-3518 • www.tsbrass.com



ITEM NO.	SALES NO.	DESCRIPTION
1	B-0103	Rosespray Outlet
2	001043-45	Washer
3	000398-40	5 1/2" Rigid Gooseneck
4	001194-45	Red HW Index
5	B-WH4H	4" Wrist Action Handle, Screw & Hot Index
6	000999-45	Brass Lock Washer
7	002954-45	Shank Lock Nut
8	012702-45	Washer, Cross Body
9	001686-45	Blue CW Index
10	000925-45	Lab Handle Screw
11	B-WH4C	4" Wrist Action Handle, Screw & Cold Index
12	B-WH4	4" Wrist Action Handle
13	001257-40	Bell Escutcheon
14	011617-25	Cerama Cartridge, LTC w/ Escutcheon Bonnet
15	000958-20	Coupling Nut
16	001091-45	Bevelled Washer (Ferrule)
17	011616-25	Cerama Cartridge, RTC w/ Escutcheon Bonnet

Product Specifications:

6" Deck Mount Commercial Faucet, Cerama Cartridges, 4" Wrist Action Handles, 5 1/2" Rigid Gooseneck w/ Rosespray Outlet & 1/2" NPT Male Inlets w/ Coupling Nuts

Drawn KJG	Checked DMH	Approved JHB
Scale: NTS		Date: 02/24/14