



# T&S BRASS AND BRONZE WORKS, INC.

2 Saddleback Cove / P.O. Box 1088  
Travelers Rest, SC 29690

Model No.

**B-2865-05CRV22**

Item No.

Travelers Rest, SC: 800-476-4103 • Simi Valley, CA: 800-423-0150 • Fax: 864-834-3518 • www.tsbrass.com



**ADA Compliant**

This Space for Architect/Engineer Approval

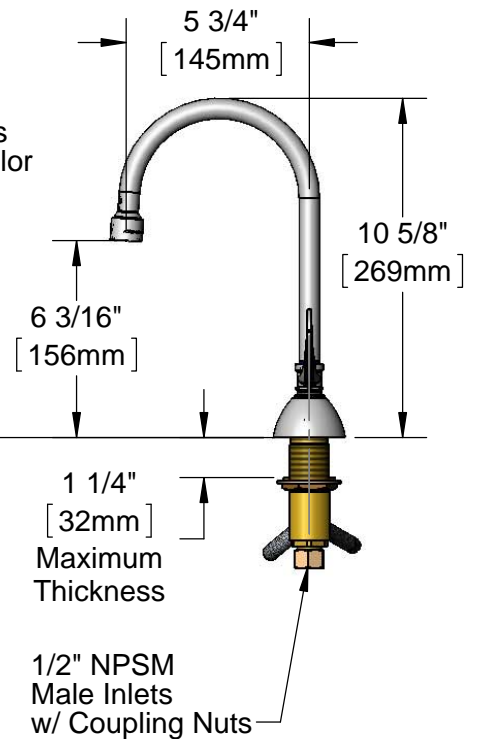
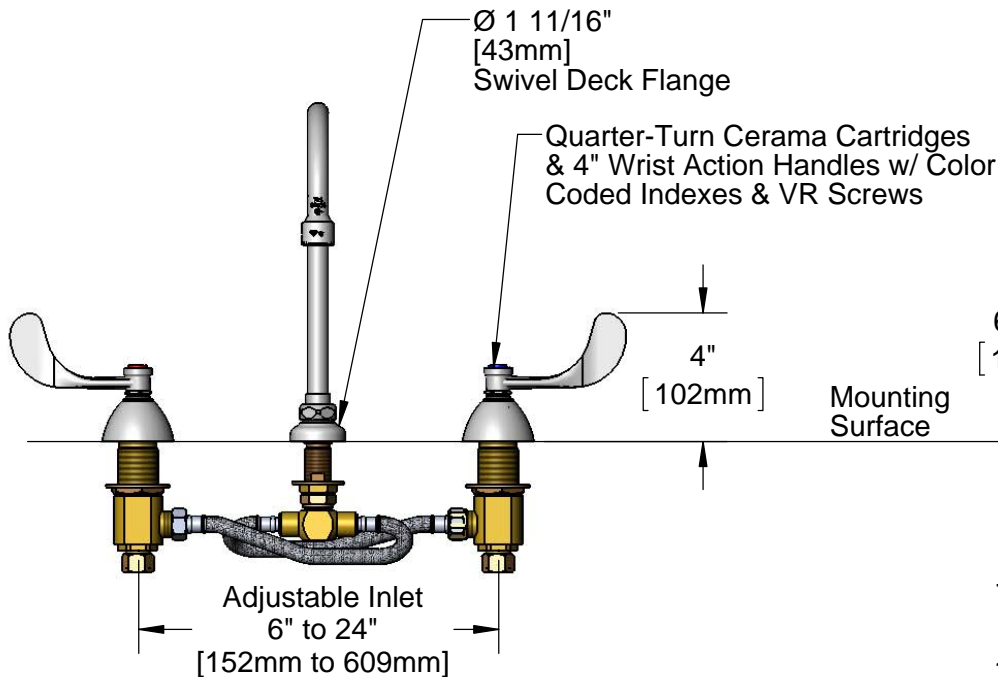
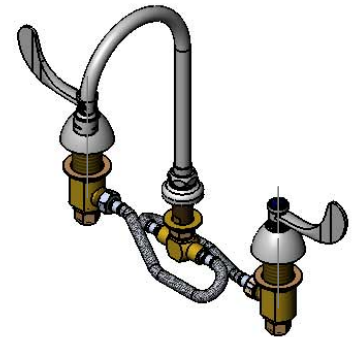
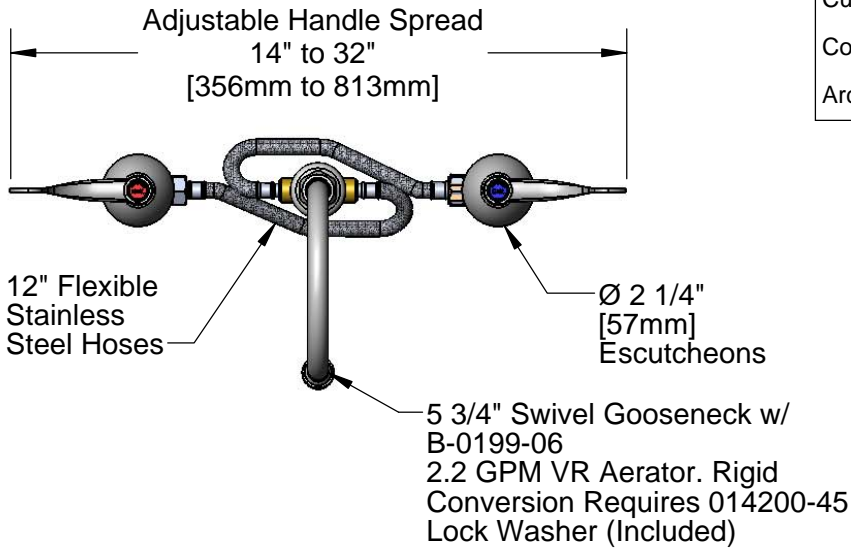
Job Name \_\_\_\_\_ Date \_\_\_\_\_

Model Specified \_\_\_\_\_ Quantity \_\_\_\_\_

Customer/Wholesaler \_\_\_\_\_

Contractor \_\_\_\_\_

Architect/Engineer \_\_\_\_\_



**Rough-In Requirement:**  
Center Shank: Ø 1" [25mm] Mounting Hole  
Hot/Cold Bodies: Ø 1 1/2" [38mm] Mounting Holes

**Product Specifications:**  
Adjustable Deck Mount Mixing Faucet, Quarter-Turn Cerama Cartridges, 4" Wrist Action Handles, VR Screws, 5 3/4" Swivel Gooseneck w/ 2.2 GPM VR Aerator, 12" Flexible Stainless Steel Hoses & 1/2" NPSM Male Inlets w/ Coupling Nuts

**Product Compliance:**  
ASME A112.18.1 / CSA B125.1  
NSF 61 - Section 9  
NSF 372 (Low Lead Content)  
ANSI A117.1 (ADA)



# T&S BRASS AND BRONZE WORKS, INC.

2 Saddleback Cove / P.O. Box 1088  
Travelers Rest, SC 29690

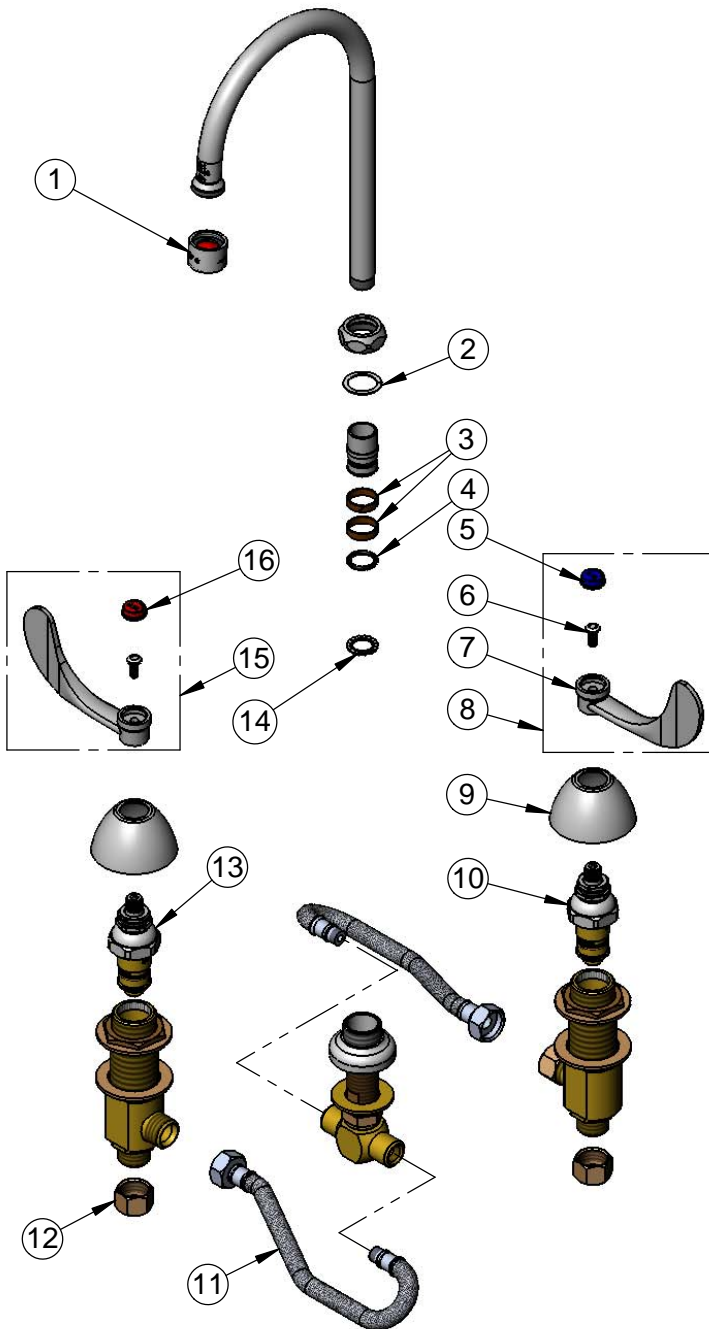
Model No.


**B-2865-05CRV22**


Item No.

Travelers Rest, SC: 800-476-4103 • Simi Valley, CA: 800-423-0150 • Fax: 864-834-3518 • www.tsbrass.com

ITEM NO.	SALES NO.	DESCRIPTION
1	B-0199-06	VR 2.2 GPM Aerator, 55/64-27 UN Female w/ Key
2	009538-45	Swivel Washer
3	011429-45	Swivel Sleeves (2)
4	001074-45	O-Ring
5	001686-45	Blue Index - CW
6	VRS-2	VR Wrist Action Handle Screw (2) w/ Spanner Bit
7	B-WH4	4" Wrist Action Handle
8	B-WH4C	4" Wrist Action Handle, Screw & Cold Index
9	001257-40	Bell Escutcheon
10	011617-25	Quarter-Turn Cerama Cartridge, LTC w/ Escutcheon Bonnet
11	011649-45	12" Flexible Stainless Steel Hose (2)
12	000958-20	Coupling Nut
13	011616-25	Quarter-Turn Cerama Cartridge, RTC w/ Escutcheon Bonnet
14	014200-45	Star Washer, Anti-Rotation
15	B-WH4H	4" Wrist Action Handle, Screw & Hot Index
16	001194-45	Red Index - HW



  
014075-45  
#10 Spanner Bit  
(Included)

  
015425-45  
Vandal Resistant Key  
(Included)

**Product Specifications:**

Adjustable Deck Mount Mixing Faucet, Quarter-Turn Cerama Cartridges, 4" Wrist Action Handles, VR Screws, 5 3/4" Swivel Gooseneck w/ 2.2 GPM VR Aerator, 12" Flexible Stainless Steel Hoses & 1/2" NPSM Male Inlets w/ Coupling Nuts

**Product Compliance:**

ASME A112.18.1 / CSA B125.1  
NSF 61 - Section 9  
NSF 372 (Low Lead Content)  
ANSI A117.1 (ADA)