



T&S BRASS AND BRONZE WORKS, INC.

2 Saddleback Cove / P.O. Box 1088
Travelers Rest, SC 29690

Model No.

B-2865-05

Item No.

Travelers Rest, SC: 800-476-4103 • Simi Valley, CA: 800-423-0150 • Fax: 864-834-3518 • www.tsbrass.com



ADA Compliant

This Space for Architect/Engineer Approval

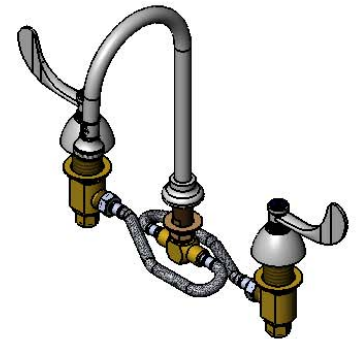
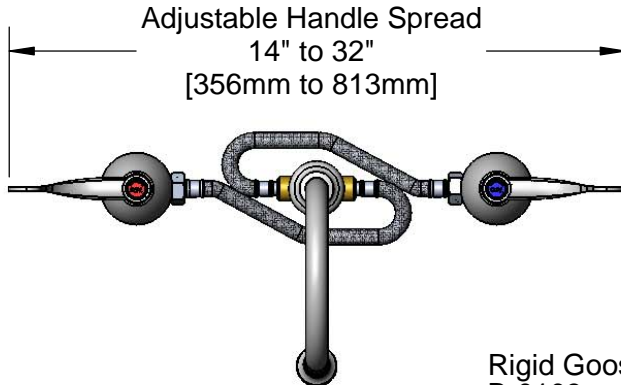
Job Name _____ Date _____

Model Specified _____ Quantity _____

Customer/Wholesaler _____

Contractor _____

Architect/Engineer _____



Ø 1 11/16"
[43mm]
Rigid Deck
Flange

12" Flexible Stainless
Steel Hoses

4 1/16"
[104mm]

1 1/4"
[32mm]
Maximum
Thickness

Rigid Gooseneck w/
B-0103
Rosespray Outlet

Eterna Cartridges &
4" Wrist Action Handles
w/ Color Coded Indexes

4 15/16"
[126mm]

Mounting Surface

Ø 2 1/4"
[57mm]
Escutcheons

1/2" NPSM Male Inlets
w/ Coupling Nuts

10 5/8"
[270mm]

5 9/16"
[141mm]

Adjustable Inlet
6" to 24"
[152mm to 609mm]

Rough-In Requirement:

Center Shank: Ø 1" [25mm] Mounting Hole

Hot/Cold Bodies: Ø 1 1/2" [38mm] Mounting Holes

Product Specifications:

Adjustable Deck Mount Mixing Faucet, Eterna Cartridges, 4" Wrist Action Handles, Rigid Gooseneck, Rosespray Outlet & 1/2" NPSM Male Inlets

Product Compliance:

ASME A112.18.1 / CSA B125.1
NSF 61 - Section 9
NSF 372 (Low Lead Content)
ANSI A117.1 (ADA)

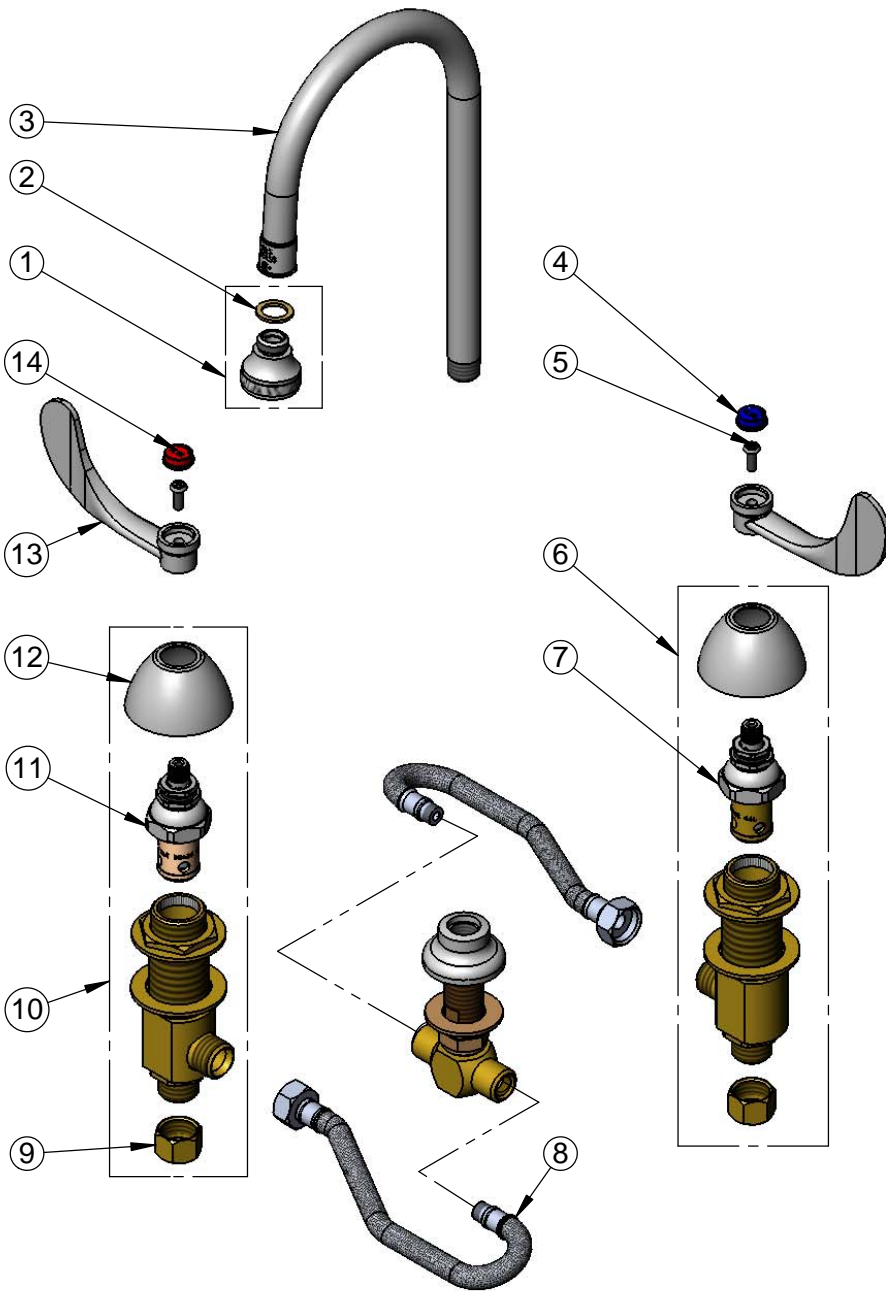


T&S BRASS AND BRONZE WORKS, INC.
 2 Saddleback Cove / P.O. Box 1088
 Travelers Rest, SC 29690

Model No.
B-2865-05

Item No.

Travelers Rest, SC: 800-476-4103 • Simi Valley, CA: 800-423-0150 • Fax: 864-834-3518 • www.tsbrass.com



ITEM NO.	SALES NO.	DESCRIPTION
1	B-0103	Rosespray Outlet, 3/8" NPSM Male
2	001043-45	Washer
3	000398-40	Rigid Gooseneck
4	001686-45	Blue Index-CW
5	000925-45	Lab Handle Screw
6	161A	Side Body, LTC
7	006477-40	Eterna Cartridge, LTC (Teflon) w/ Escutcheon Bonnet
8	011649-45	12" Flexible Stainless Steel Hose (2)
9	000958-20	Coupling Nut
10	162A	Side Body, RTC
11	006478-40	Eterna Cartridge, RTC (Teflon) w/ Escutcheon Bonnet
12	001257-40	Bell Escutcheon
13	B-WH4	4" Wrist Action Handle
14	001194-45	Red Index-HW

Product Specifications:

Adjustable Deck Mount Mixing Faucet, Eterna Cartridges, 4" Wrist Action Handles, Rigid Gooseneck, Rosespray Outlet & 1/2" NPSM Male Inlets

Product Compliance:

ASME A112.18.1 / CSA B125.1
 NSF 61 - Section 9
 NSF 372 (Low Lead Content)
 ANSI A117.1 (ADA)