



T&S BRASS AND BRONZE WORKS, INC.

2 Saddleback Cove / P.O. Box 1088
Travelers Rest, SC 29690

Model No.

B-2865-05-XACRL

Item No.

Travelers Rest, SC: 800-476-4103 • Simi Valley, CA: 800-423-0150 • Fax: 864-834-3518 • www.tsbrass.com



ADA Compliant

This Space for Architect/Engineer Approval

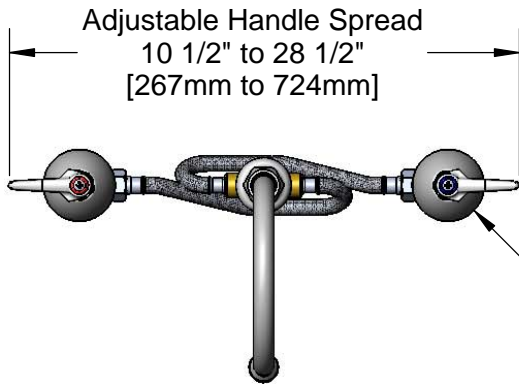
Job Name _____ Date _____

Model Specified _____ Quantity _____

Customer/Wholesaler _____

Contractor _____

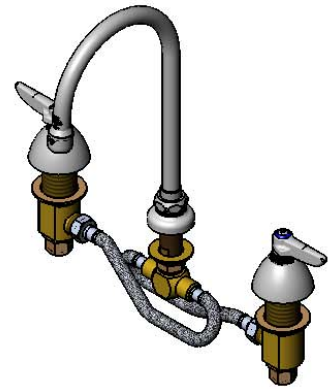
Architect/Engineer _____



Adjustable Handle Spread
10 1/2" to 28 1/2"
[267mm to 724mm]

Ø 2 1/4"
[57mm]
Escutcheons

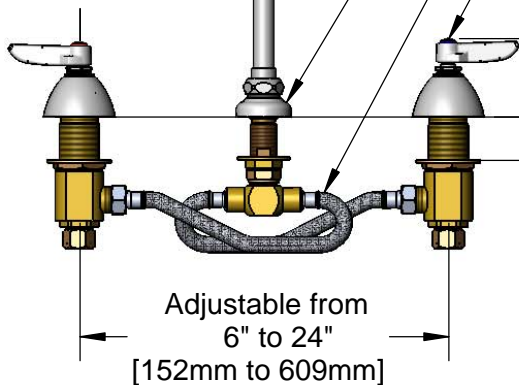
133X-A22
Swivel Gooseneck w/
2.2 GPM Aerator
Rigid Conversion Requires
014200-45 Lock Washer
(Included)



Ø 1 11/16"
[43mm]
Swivel Deck Flange

12" Stainless Steel
Flexible Hoses

Quarter-Turn Cerama
Cartridges & Lever Handles
w/ Color Coded Indexes

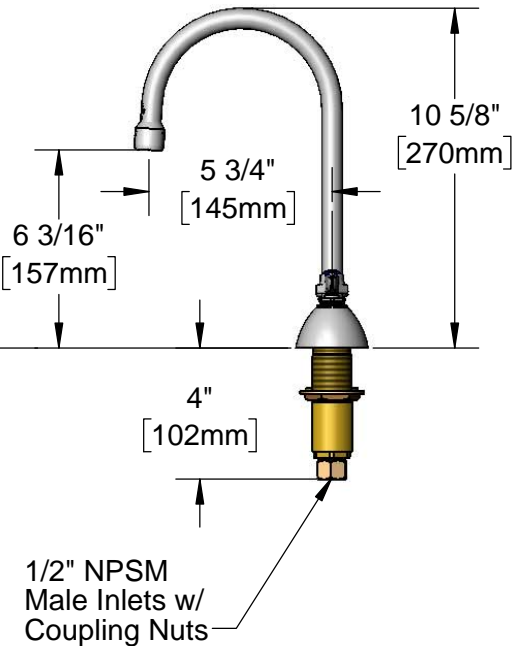


2 7/16"
[62mm]

Mounting
Surface

1 1/4"
[32mm]
Maximum
Thickness

Adjustable from
6" to 24"
[152mm to 609mm]



6 3/16"
[157mm]

5 3/4"
[145mm]

10 5/8"
[270mm]

4"
[102mm]

1/2" NPSM
Male Inlets w/
Coupling Nuts

Rough-In Requirement:
Center Shank: Ø 1" [25mm] Mounting Hole
Hot/Cold Side Bodies: Ø 1 1/2" [38mm] Mounting Holes

Product Specifications:
Deck Mount Commercial Faucet w/ Lever Handles, Quarter-Turn Cerama Cartridges, Swivel Gooseneck w/ 2.2 Aerator, 12" Flexible Connection Hoses, 1/2" NPSM Male Inlets w/ Coupling Nuts

Product Compliance:
ASME A112.18.1 / CSA B125.1
NSF 61 - Section 9
NSF 372 (Low Lead Content)
ANSI A117.1 (ADA)

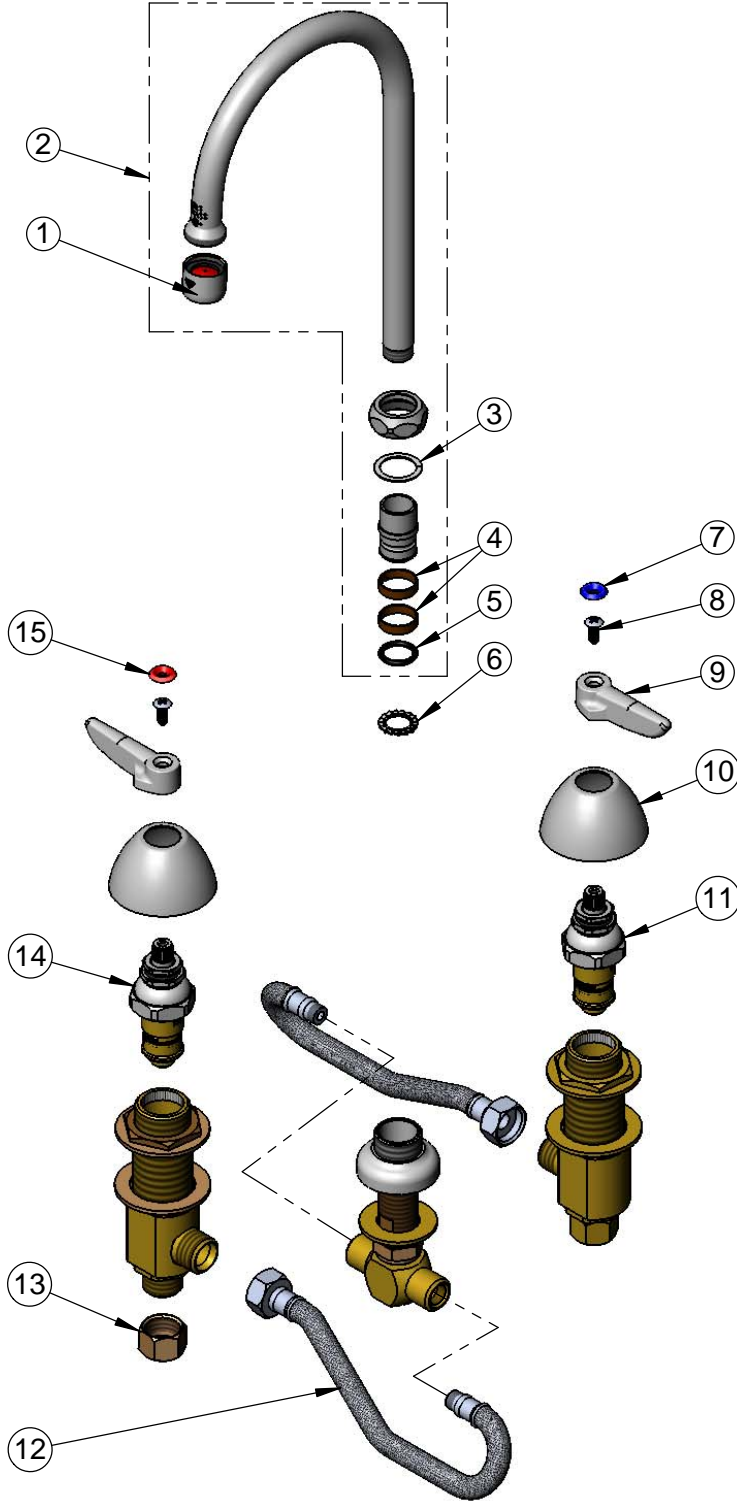


T&S BRASS AND BRONZE WORKS, INC.
 2 Saddleback Cove / P.O. Box 1088
 Travelers Rest, SC 29690

Model No.
B-2865-05-XACRL

Item No.

Travelers Rest, SC: 800-476-4103 • Simi Valley, CA: 800-423-0150 • Fax: 864-834-3518 • www.tsbrass.com



ITEM NO.	SALES NO.	DESCRIPTION
1	B-0199-01	2.2 GPM Aerator, 55/64"-27 UN Female
2	133X-A22	6" Swivel Gooseneck w/ 2.2 GPM Aerator
3	009538-45	Swivel Washer
4	011429-45	Swivel Sleeves (2)
5	001074-45	O-Ring
6	014200-45	Star Washer, Anti-Rotation
7	001660-45	Blue Index-CW
8	000922-45	Lever Handle Screw
9	001638-45	Lever Handle
10	001257-40	Bell Escutcheon
11	011617-25	Quarter-Turn Cerama Cartridge, LTC w/ Escutcheon Bonnet
12	011649-45	12" Stainless Steel Flex Hose
13	000958-20	Coupling Nut
14	011616-25	Quarter-Turn Cerama Cartridge, RTC w/ Escutcheon Bonnet
15	001661-45	Red Index-HW

Product Specifications:
 Deck Mount Commercial Faucet w/ Lever Handles, Quarter-Turn Cerama Cartridges, Swivel Gooseneck w/ 2.2 Aerator, 12" Flexible Connection Hoses, 1/2" NPSM Male Inlets w/ Coupling Nuts

Product Compliance:
 ASME A112.18.1 / CSA B125.1
 NSF 61 - Section 9
 NSF 372 (Low Lead Content)
 ANSI A117.1 (ADA)