



T&S BRASS AND BRONZE WORKS, INC.
 2 Saddleback Cove / P.O. Box 1088
 Travelers Rest, SC 29690

Model No.

B-2865-04-WA

Item No.

Travelers Rest, SC: 800-476-4103 • Simi Valley, CA: 800-423-0150 • Fax: 864-834-3518 • www.tsbrass.com

This Space for Architect/Engineer Approval

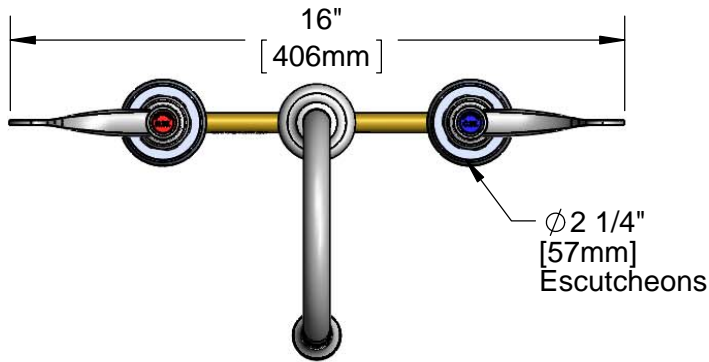
Job Name _____ Date _____

Model Specified _____ Quantity _____

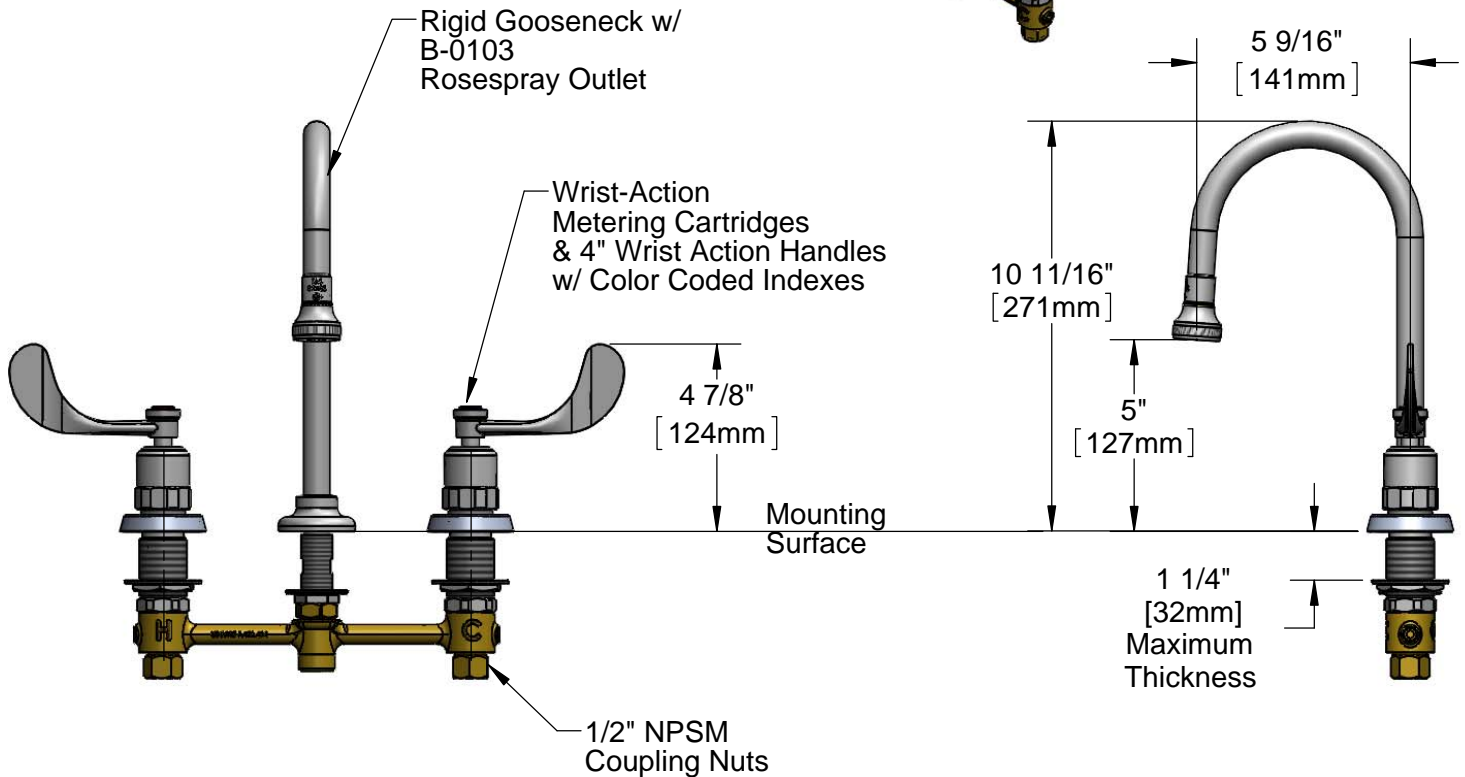
Customer/Wholesaler _____

Contractor _____

Architect/Engineer _____



ADA Compliant



Rough-In Requirement:

- Ø 1" [25mm] for Center Shank
- Ø 1 1/2" [38mm] for Hot/Cold Side

Product Specifications:

8" Concealed Widespread EasyInstall Mixing Faucet w/ 4" Wrist Action Handles, Wrist-Action Metering Cartridges & Rigid Gooseneck w/ Rosespray Outlet

Product Compliance:

- ASME A112.18.1 / CSA B125.1
- NSF 61 - Section 9
- NSF 372 (Low Lead Content)
- ANSI A117.1 (ADA)



T&S BRASS AND BRONZE WORKS, INC.

2 Saddleback Cove / P.O. Box 1088
Travelers Rest, SC 29690

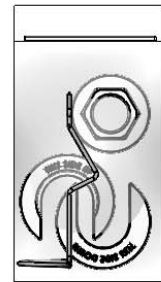
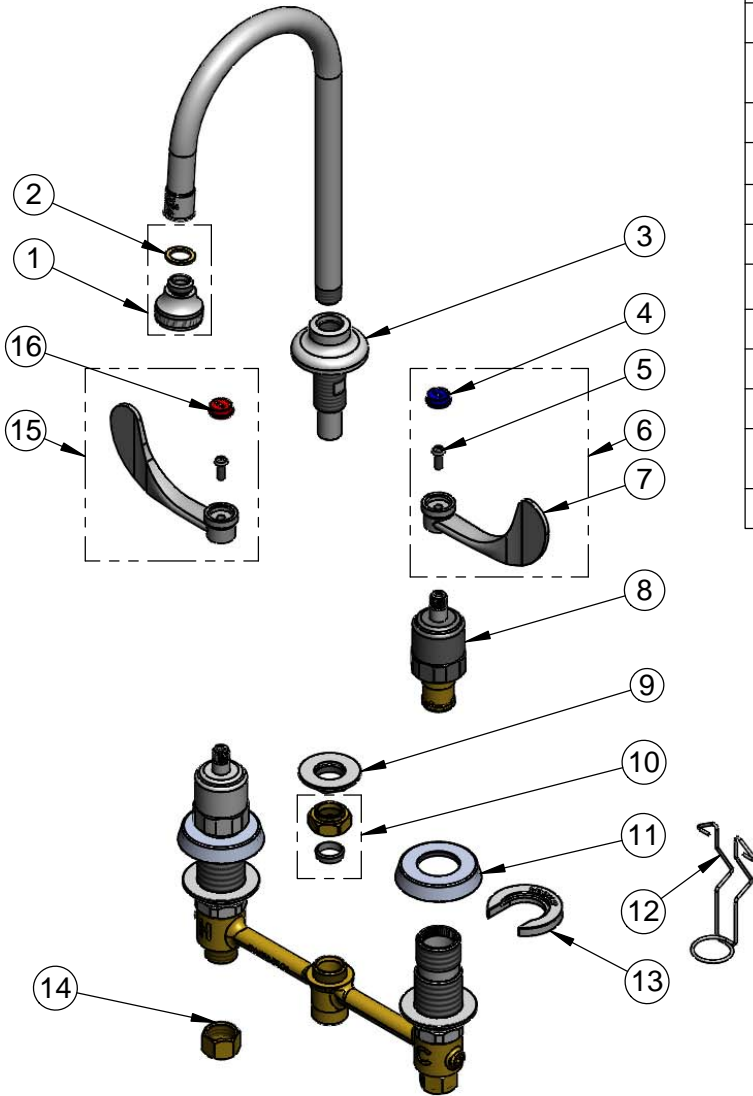
Model No.

B-2865-04-WA

Item No.

Travelers Rest, SC: 800-476-4103 • Simi Valley, CA: 800-423-0150 • Fax: 864-834-3518 • www.tsbrass.com

ITEM NO.	SALES NO.	DESCRIPTION
1	B-0103	Rosespray w/ Washer
2	001043-45	Washer
3	016847-40	EasyInstall CWS Rigid Center Shank
4	001686-45	Blue Index - CW
5	000925-45	Lab Handle Screw
6	B-WH4C	4" Wrist Action Handle, Screw & Cold Index
7	B-WH4	4" Wrist Action Handle
8	012449-40	Wrist-Action Metering Cartridge
9	016742-45	Center Flange Nut
10	016745-45	Compression Nut & Fitting
11	017292-45	Metering CWS Escutcheon
12	016777-45	CWS Hanger
13	016749-45	Sidebody C-Washer
14	000958-20	Coupling Nut
15	B-WH4H	4" Wrist Action Handle, Screw & Hot Index
16	001194-45	Red Index - HW



017245-40
Installation Repair Kit
Includes #9, (2) #13, #12

Product Specifications:

8" Concealed Widespread EasyInstall Mixing Faucet w/ 4" Wrist Action Handles, Wrist-Action Metering Cartridges & Rigid Gooseneck w/ Rosespray Outlet

Product Compliance:

ASME A112.18.1 / CSA B125.1
NSF 61 - Section 9
NSF 372 (Low Lead Content)
ANSI A117.1 (ADA)