



# T&S BRASS AND BRONZE WORKS, INC.

2 Saddleback Cove / P.O. Box 1088  
Travelers Rest, SC 29690

Model No.

**B-2865-04-122X**

Item No.

Travelers Rest, SC: 800-476-4103 • Simi Valley, CA: 800-423-0150 • Fax: 864-834-3518 • www.tsbrass.com

This Space for Architect/Engineer Approval

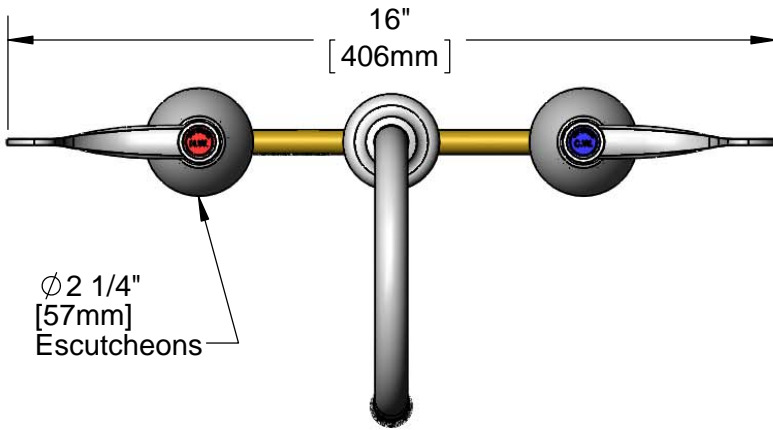
Job Name \_\_\_\_\_ Date \_\_\_\_\_

Model Specified \_\_\_\_\_ Quantity \_\_\_\_\_

Customer/Wholesaler \_\_\_\_\_

Contractor \_\_\_\_\_

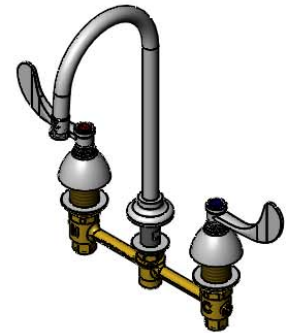
Architect/Engineer \_\_\_\_\_



Ø 2 1/4"  
[57mm]  
Escutcheons



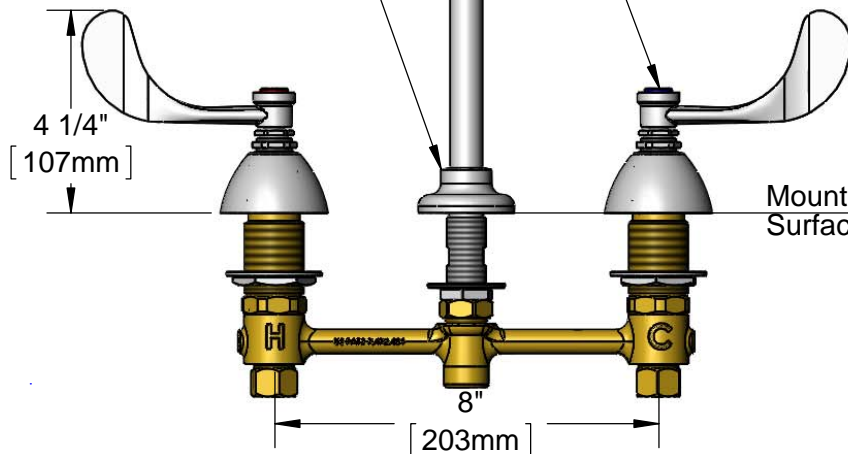
**ADA Compliant**



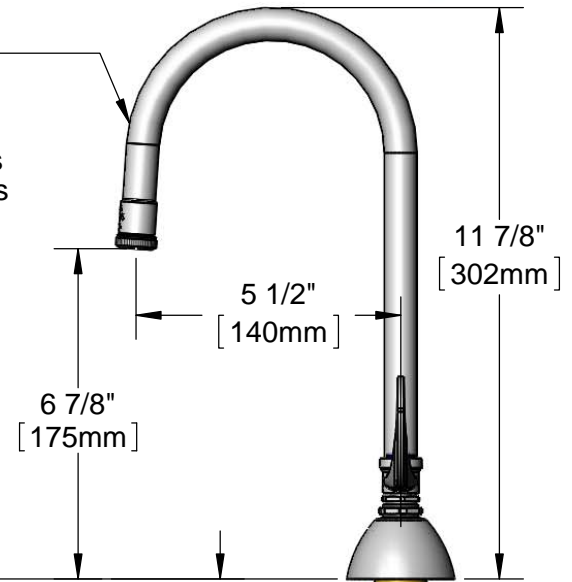
122X  
Rigid Gooseneck  
w/ Stream Regulator  
Outlet

Eterna Cartridges &  
4" Wrist Action Handles  
w/ Color Coded Indexes

Ø 2"  
[51mm]  
Rigid Deck  
Flange



Mounting  
Surface



1 1/4"  
[32mm]  
Maximum  
Thickness

1/2" NPSM  
Male Inlets w/  
Coupling Nuts

Rough-In Requirement:  
Center Shank: Ø 1" [25mm] Mounting Hole  
Hot/Cold Sides: Ø 1 1/2" [38mm] Mounting Holes

Product Specifications:  
EasyInstall 8" Concealed Widespread Mixing Faucet, 4" Wrist Action Handles,  
Eterna Cartridges & Rigid Gooseneck w/ Stream Regulator Outlet

Product Compliance:  
ASME A112.18.1 / CSA B125.1  
NSF 61 - Section 9  
NSF 372 (Low Lead Content)  
ANSI A117.1 (ADA)



# T&S BRASS AND BRONZE WORKS, INC.

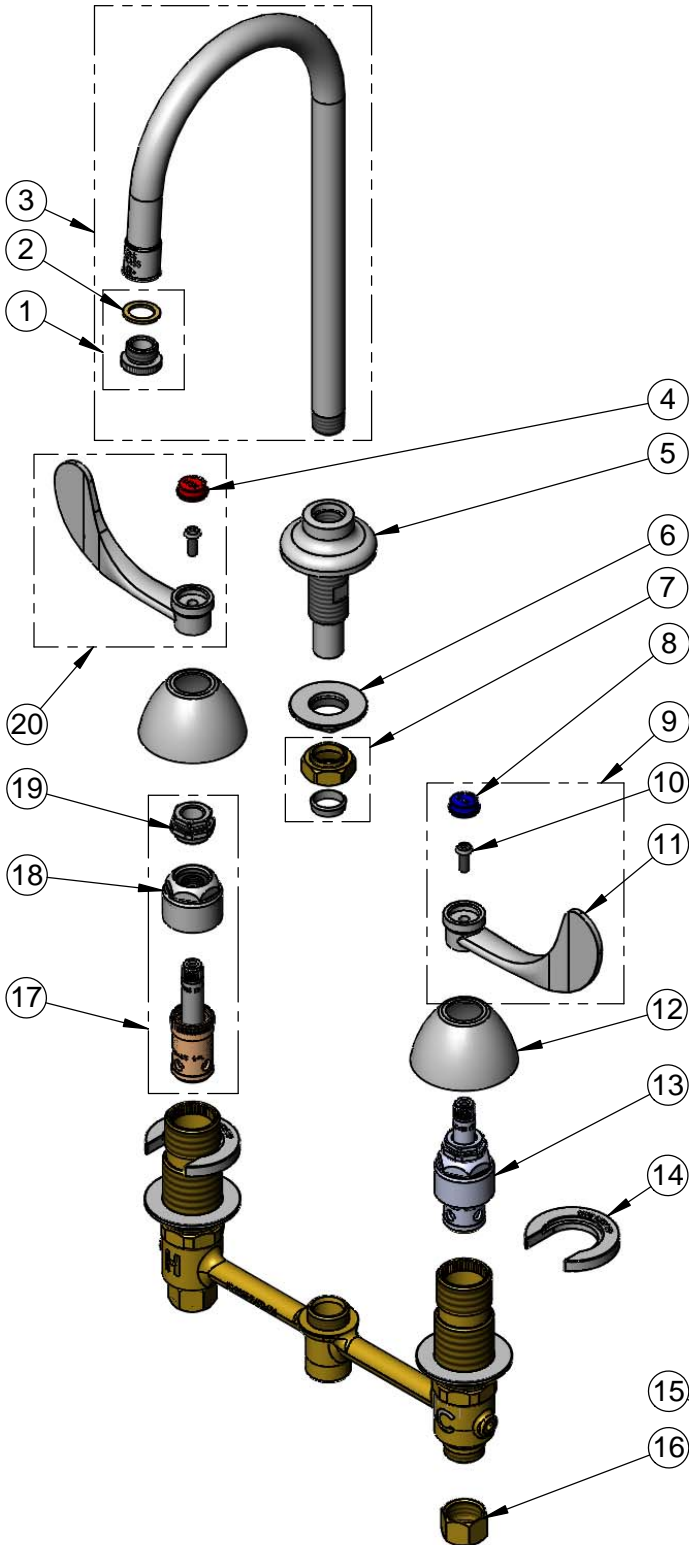
2 Saddleback Cove / P.O. Box 1088  
Travelers Rest, SC 29690

Model No.

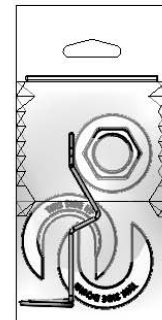
**B-2865-04-122X**

Item No.

Travelers Rest, SC: 800-476-4103 • Simi Valley, CA: 800-423-0150 • Fax: 864-834-3518 • www.tsbrass.com



ITEM NO.	SALES NO.	DESCRIPTION
1	B-LT	Stream Regulator Outlet
2	001043-45	Washer
3	122X	Rigid Gooseneck w/ Stream Regulator Outlet
4	001194-45	Red Index - HW
5	016847-40	EasyInstall CWS Rigid Center Shank
6	016742-45	Center Flange Nut
7	016745-45	Compression Nut & Fitting
8	001686-45	Blue Index - CW
9	B-WH4C	4" Wrist Action Handle, Screw & Cold Index
10	000925-45	Lab Handle Screw
11	B-WH4	4" Wrist Action Handle
12	001257-40	Bell Escutcheon
13	016752-40	EasyInstall CWS LTC Eterna (Teflon)
14	016749-45	Sidebody C-Washer
15	016777-45	CWS Hanger
16	000958-20	Coupling Nut
17	016753-40	EasyInstall CWS RTC Eterna (Teflon)
18	016743-25	CWS Eterna Bonnet
19	009002-25	Packing Nut
20	B-WH4H	4" Wrist Action Handle, Screw & Hot Index



017245-40  
Installation Repair Kit  
Includes #6, (2)#14, & #15

**Product Specifications:**

EasyInstall 8" Concealed Widespread Mixing Faucet, 4" Wrist Action Handles, Eterna Cartridges & Rigid Gooseneck w/ Stream Regulator Outlet

**Product Compliance:**

ASME A112.18.1 / CSA B125.1  
NSF 61 - Section 9  
NSF 372 (Low Lead Content)  
ANSI A117.1 (ADA)