

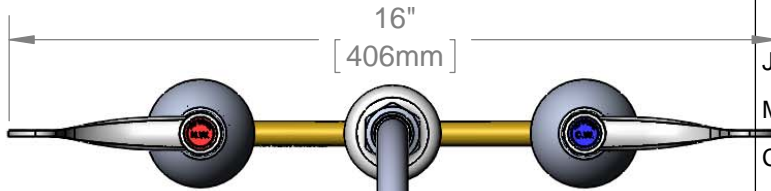


T&S BRASS AND BRONZE WORKS, INC.
 2 Saddleback Cove / P.O. Box 1088
 Travelers Rest, SC 29690

Model No.
B-2862

Item No.

Travelers Rest, SC: 800-476-4103 • Simi Valley, CA: 800-423-0150 • Fax: 864-834-3518 • www.tsbrass.com



This Space for Architect/Engineer Approval

Job Name _____ Date _____

Model Specified _____ Quantity _____

Customer/Wholesaler _____

Contractor _____

Architect/Engineer _____

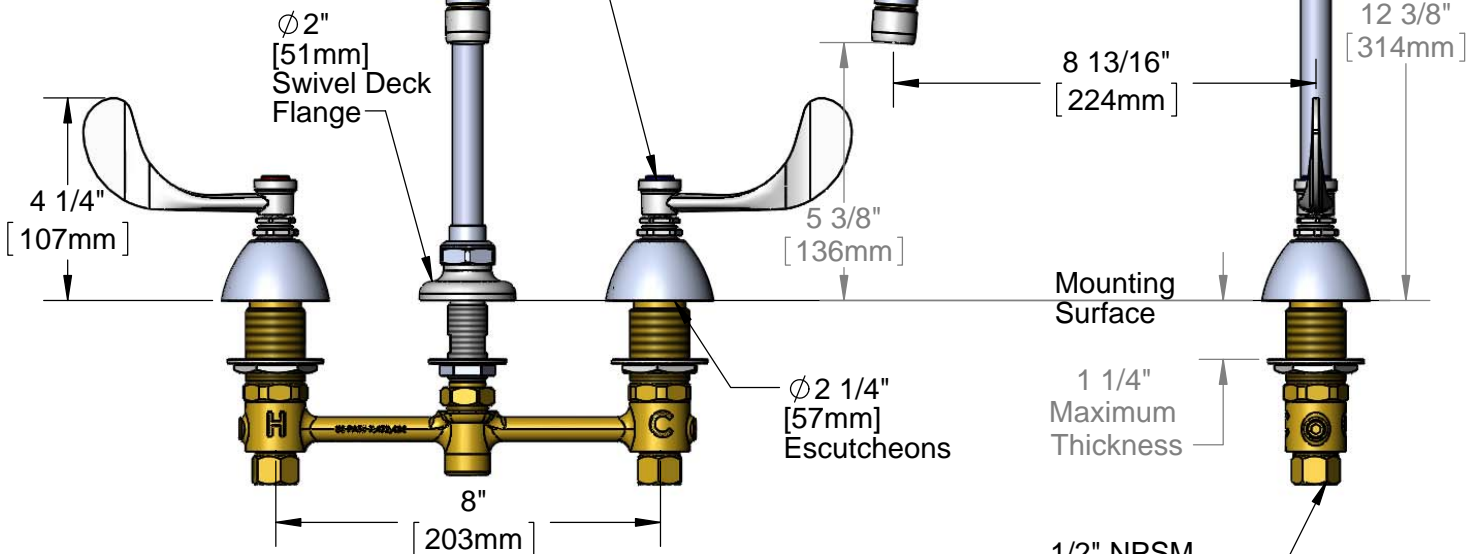


ADA Compliant

Swivel Gooseneck w/
 B-0199-02
 2.2 GPM Aerator.
 Rigid Conversion Requires
 014200-45 Lock Washer
 (Included)



Eterna Cartridges &
 4" Wrist Action Handles
 w/ Color Coded Indexes



Rough-In Requirement:
 Center Shank: $\phi 1"$ [25mm] Mounting Hole
 Hot/Cold Side: $\phi 1 \frac{1}{2}"$ [38mm] Mounting Holes

Product Specifications:
 8" Deck Mount EasyInstall Mixing Faucet, Eterna Cartridges, 4" Wrist Action Handles, Swivel Gooseneck, 2.2 GPM Aerator & 1/2" NPSM Male Inlets

Product Compliance:
 ASME A112.18.1 / CSA B125.1
 NSF 61 - Section 9
 NSF 372 (Low Lead Content)
 ANSI A117.1 (ADA)



T&S BRASS AND BRONZE WORKS, INC.

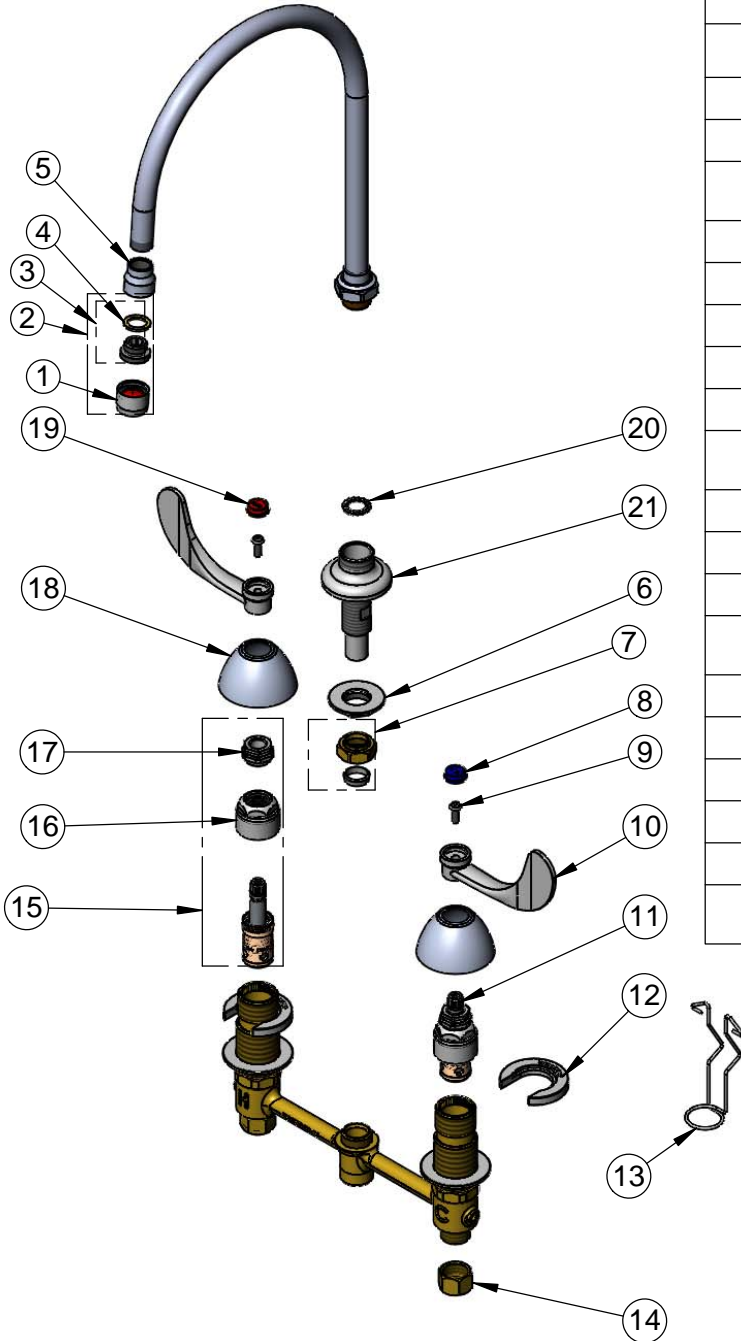
2 Saddleback Cove / P.O. Box 1088
Travelers Rest, SC 29690

Model No.

B-2862

Item No.

Travelers Rest, SC: 800-476-4103 • Simi Valley, CA: 800-423-0150 • Fax: 864-834-3518 • www.tsbrass.com



ITEM NO.	SALES NO.	DESCRIPTION
1	B-0199-01	2.2 GPM Aerator, 55/64"-27 UN Female
2	B-0199-02	2.2 GPM Aerator, 3/8" NPSM Male
3	044A	3/8" to Aerator Adapter
4	001043-45	Washer
5	000557-25	Bell Adapter, 5/8-27 UN Female x 3/8" NPSM Female
6	016742-45	Center Flange Nut
7	016745-45	Compression Nut & Fitting
8	001686-45	Blue Index - CW
9	000925-45	Lab Handle Screw
10	B-WH4	4" Wrist Action Handle
11	016752-40	EasyInstall CWS LTC Eterna (Teflon)
12	016749-45	Sidebody C-Washer
13	016777-45	CWS Hanger
14	000958-20	Coupling Nut
15	016753-40	EasyInstall CWS RTC Eterna (Teflon)
16	016743-25	CWS Eterna Bonnet
17	009002-25	Packing Nut
18	001257-40	Bell Escutcheon
19	001194-45	Red Index - HW
20	014200-45	Star Washer, Anti-Rotation
21	016754-40	EasyInstall CWS Swivel Center Shank



017245-40
Installation Repair Kit
Includes #6, (2)#12, & #13

Product Specifications:

8" Deck Mount EasyInstall Mixing Faucet, Eterna Cartridges, 4" Wrist Action Handles, Swivel Gooseneck, 2.2 GPM Aerator & 1/2" NPSM Male Inlets

Product Compliance:

ASME A112.18.1 / CSA B125.1
NSF 61 - Section 9
NSF 372 (Low Lead Content)
ANSI A117.1 (ADA)