



# T&S BRASS AND BRONZE WORKS, INC.

2 Saddleback Cove / P.O. Box 1088  
Travelers Rest, SC 29690

Model No.

**B-2862-QT-WS**

Item No.

Travelers Rest, SC: 800-476-4103 • Simi Valley, CA: 800-423-0150 • Fax: 864-834-3518 • www.tsbrass.com

This Space for Architect/Engineer Approval

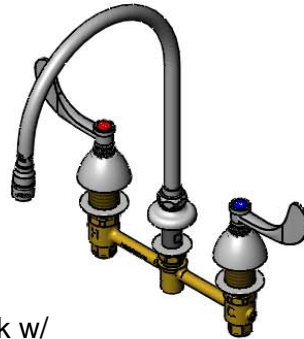
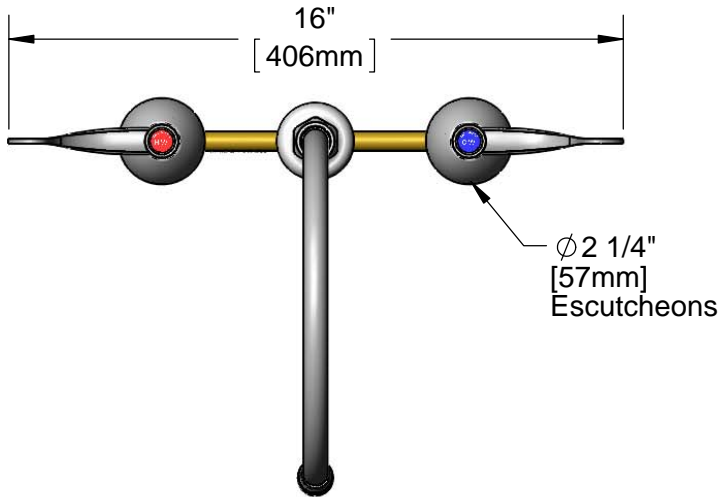
Job Name \_\_\_\_\_ Date \_\_\_\_\_

Model Specified \_\_\_\_\_ Quantity \_\_\_\_\_

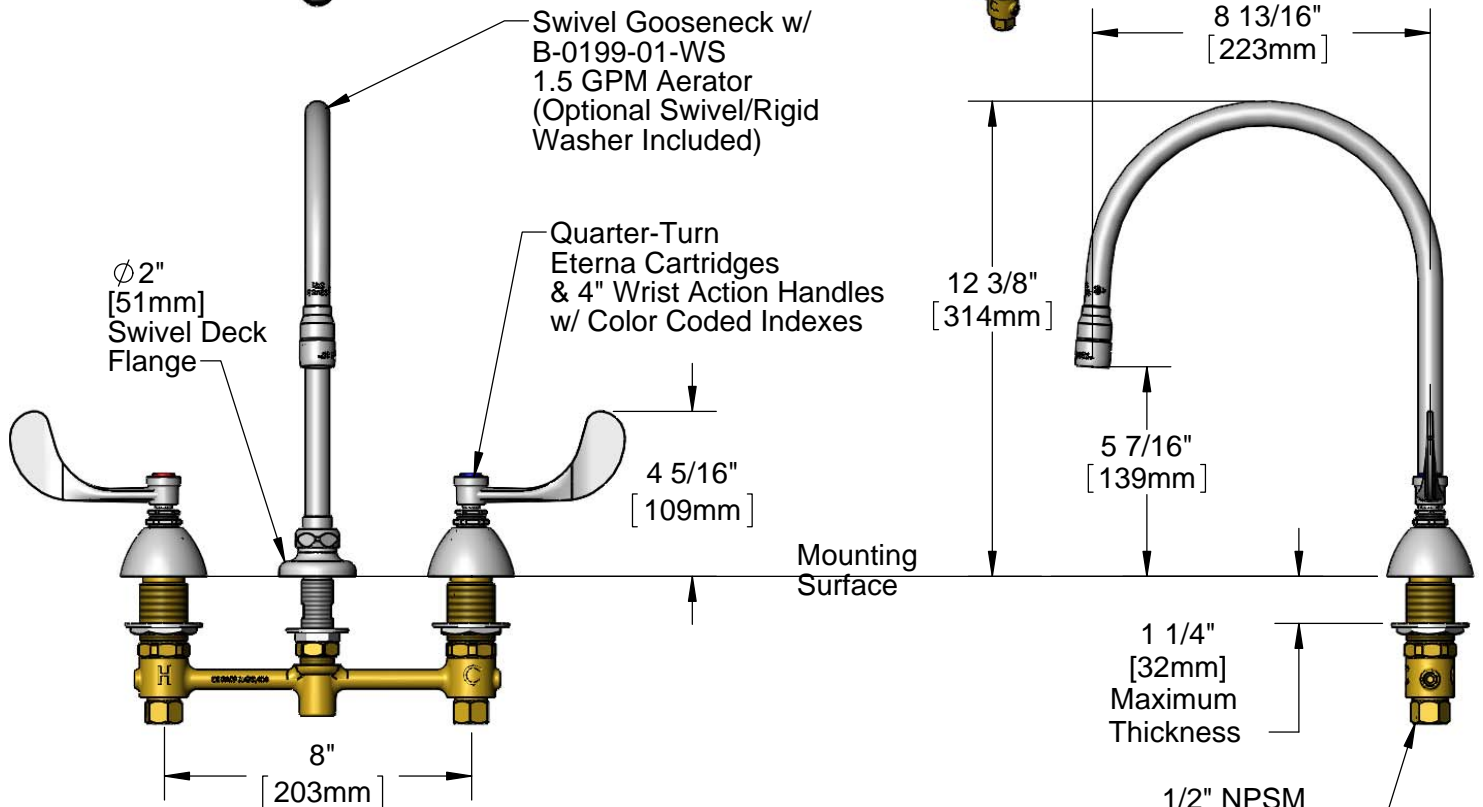
Customer/Wholesaler \_\_\_\_\_

Contractor \_\_\_\_\_

Architect/Engineer \_\_\_\_\_



**ADA Compliant**



**Rough-In Requirement:**  
Ø 1" [25mm] for Center Shank  
Ø 1 1/2" [38mm] for Hot/Cold Side

**Product Specifications:**  
8" Concealed Widespread EasyInstall Mixing Faucet w/ 4" Wrist Action Handles, Quarter-Turn Eterna Cartridge, Swivel Gooseneck w/ 1.5 GPM Aerator and 1/2" NPSM Male Inlets

**Product Compliance:**  
ASME A112.18.1 / CSA B125.1  
NSF 61 - Section 9  
NSF 372 (Low Lead Content)  
ANSI A117.1 (ADA)



# T&S BRASS AND BRONZE WORKS, INC.

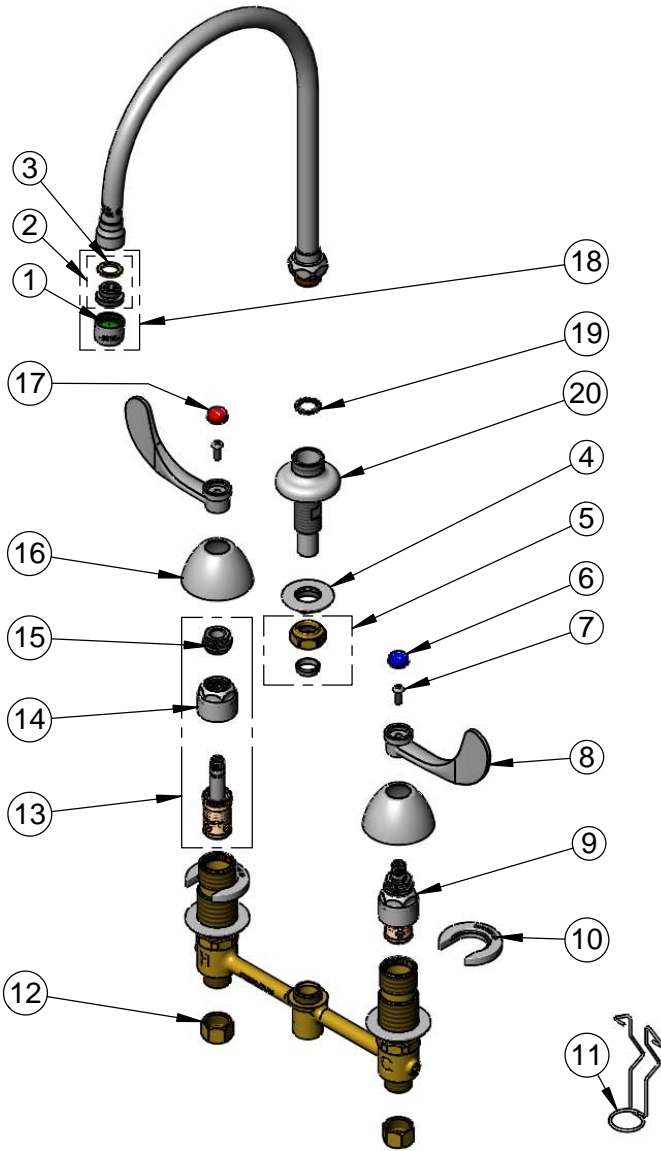
2 Saddleback Cove / P.O. Box 1088  
Travelers Rest, SC 29690

Model No.

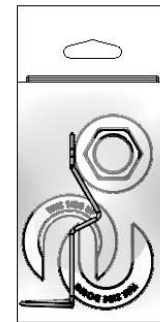
**B-2862-QT-WS**

Item No.

Travelers Rest, SC: 800-476-4103 • Simi Valley, CA: 800-423-0150 • Fax: 864-834-3518 • www.tsbrass.com



ITEM NO.	SALES NO.	DESCRIPTION
1	B-0199-01-WS	1.5 GPM Aerator, 55/64-27 Female
2	044A	3/8" to Aerator Adapter
3	001043-45	Washer
4	016742-45	Center Flange Nut
5	016745-45	Compression Nut & Fitting
6	001686-45	Blue Index - CW
7	000925-45	Lab Handle Screw
8	B-WH4	4" Wrist Action Handle
9	016925-40	EasyInstall CWS LTC, Quarter-Turn Eterna (Teflon)
10	016749-45	Sidebody C-Washer
11	016777-45	CWS Hanger
12	000958-20	Coupling Nut
13	016926-40	EasyInstall CWS RTC, Quarter-Turn Eterna (Teflon)
14	016743-25	CWS Eterna Bonnet
15	009002-25	Packing Nut
16	001257-40	Bell Escutcheon
17	001194-45	Red Index - HW
18	B-0199-02-WS	1.5 GPM Female Aerator, Adapter & Washer
19	014200-45	Star Washer, Anti-Rotation
20	016754-40	EasyInstall CWS Swivel Center Shank



017245-40  
Installation Repair Kit  
Includes #4, (2)#10, & #11

**Product Specifications:**

8" Concealed Widespread EasyInstall Mixing Faucet w/ 4" Wrist Action Handles, Quarter-Turn Eterna Cartridge, Swivel Gooseneck w/ 1.5 GPM Aerator and 1/2" NPSM Male Inlets

**Product Compliance:**

ASME A112.18.1 / CSA B125.1  
NSF 61 - Section 9  
NSF 372 (Low Lead Content)  
ANSI A117.1 (ADA)