



T&S BRASS AND BRONZE WORKS, INC.

2 Saddleback Cove / P.O. Box 1088
Travelers Rest, SC 29690

Model No.

B-2862-QT-VR22

Item No.

Travelers Rest, SC: 800-476-4103 • Simi Valley, CA: 800-423-0150 • Fax: 864-834-3518 • www.tsbrass.com



ADA Compliant

This Space for Architect/Engineer Approval

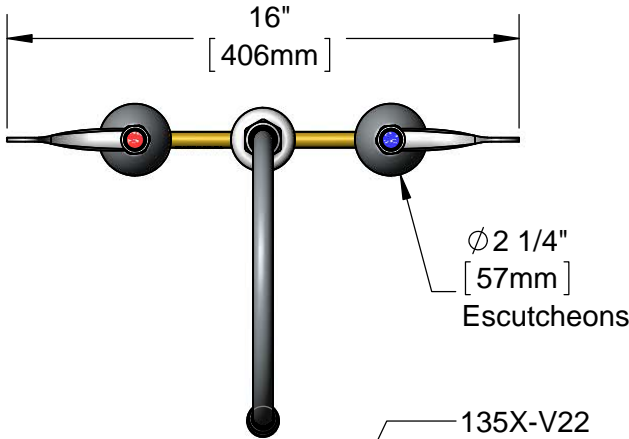
Job Name _____ Date _____

Model Specified _____ Quantity _____

Customer/Wholesaler _____

Contractor _____

Architect/Engineer _____

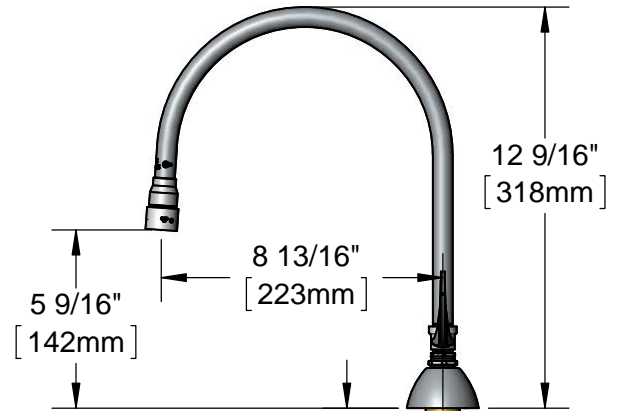
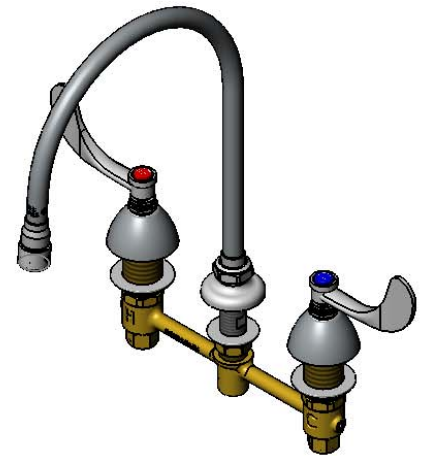
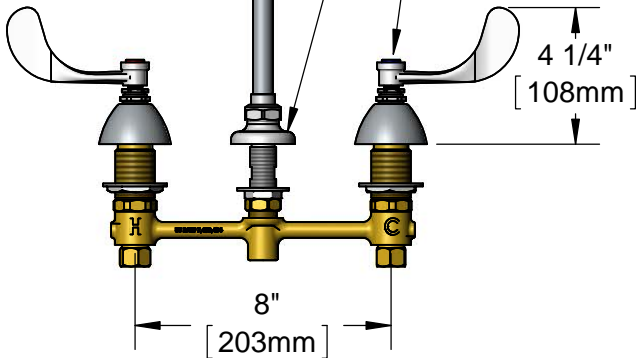


135X-V22
Swivel Gooseneck w/
2.2 GPM VR Aerator.
Rigid Conversion Requires
014200-45 lock Washer
(Included)

Ø 2" [51mm]
Swivel Deck
Flange

Quarter-Turn Eterna
Cartridges & 4" Wrist
Action Handles w/
Color Coded Indexes
& VR Screws

4 1/4"
[108mm]



1 1/4"
[31mm]
Maximum
Thickness

1/2" NPSM
Coupling Inlets

Rough-In Requirement:
Ø 1" [25mm] for Center Shank
Ø 1 1/2" [38mm] for Hot/Cold Side

Product Specifications:
EasyInstall 8" Deck Mount Mixing Faucet, Quarter-Turn Eterna Cartridges,
4" Wrist Action Handles, Swivel Gooseneck w/ 2.2 GPM VR Aerator, VR
Screws & 1/2" NPSM Male Inlets

Product Compliance:
ASME A112.18.1 / CSA B125.1
NSF 61 - Section 9
NSF 372 (Low Lead Content)
ANSI A117.1 (ADA)



T&S BRASS AND BRONZE WORKS, INC.

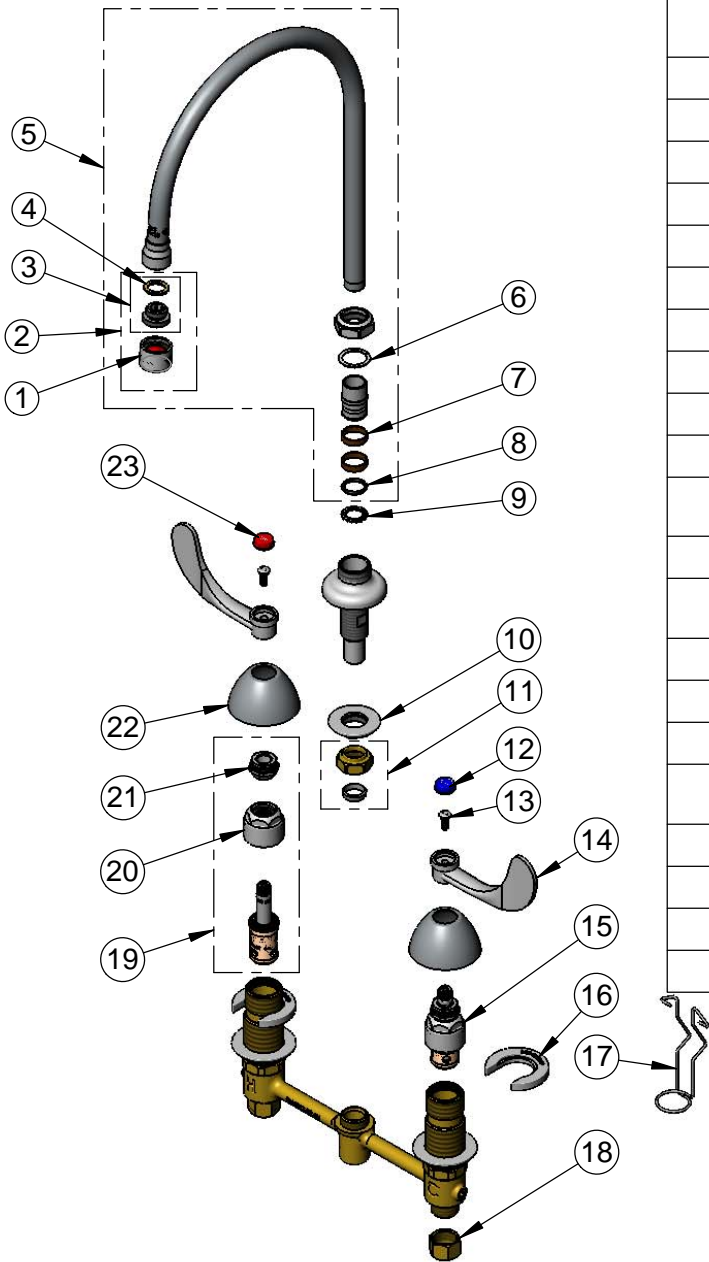
2 Saddleback Cove / P.O. Box 1088
Travelers Rest, SC 29690

Model No.

B-2862-QT-VR22

Item No.

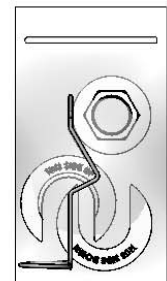
Travelers Rest, SC: 800-476-4103 • Simi Valley, CA: 800-423-0150 • Fax: 864-834-3518 • www.tsbrass.com



ITEM NO.	SALES NO.	DESCRIPTION
1	B-0199-06	VR 2.2 GPM Aerator, 55/64-27 UN Female w/ Key
2	B-0199-07	VR 2.2 GPM Aerator, 3/8" NPSM Male w/ Key
3	044A	3/8" to Aerator Adapter
4	001043-45	Washer
5	135X-V22	8 13/16" Swivel Gooseneck
6	009538-45	Swivel Washer
7	011429-45	Swivel Sleeves (2)
8	001074-45	O-Ring
9	014200-45	Star Washer, Anti-Rotation
10	016742-45	Center Flange Nut
11	016745-45	Compression Nut & Fitting
12	001686-45	Blue Index - CW
13	VRS-2	VR Wrist Action Handle Screw (2) w/ Spanner Bit
14	B-WH4	4" Wrist Action Handle
15	016925-40	EasyInstall CWS LTC, Quarter-Turn Eterna (Teflon)
16	016749-45	Sidebody C-Washer
17	016777-45	CWS Hanger
18	000958-20	Coupling Nut
19	016926-40	EasyInstall CWS RTC, Quarter-Turn Eterna (Teflon)
20	016743-25	CWS Eterna Bonnet
21	009002-25	Packing Nut
22	001257-40	Bell Escutcheon
23	001194-45	Red Index - HW

014075-45
#10 Spanner Bit

015425-45
Vandal Resistant Key



017245-40
Installation Repair Kit
Includes #10, (2) #16 & #17

Product Specifications:

EasyInstall 8" Deck Mount Mixing Faucet, Quarter-Turn Eterna Cartridges, 4" Wrist Action Handles, Swivel Gooseneck w/ 2.2 GPM VR Aerator, VR Screws & 1/2" NPSM Male Inlets

Product Compliance:

ASME A112.18.1 / CSA B125.1
NSF 61 - Section 9
NSF 372 (Low Lead Content)
ANSI A117.1 (ADA)