



T&S BRASS AND BRONZE WORKS, INC.

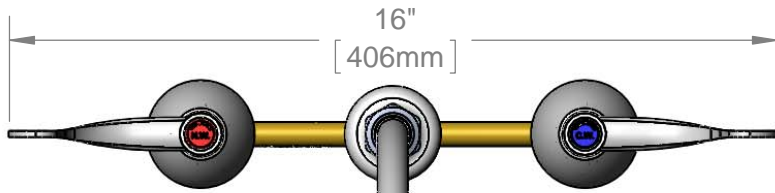
2 Saddleback Cove / P.O. Box 1088
Travelers Rest, SC 29690

Model No.

B-2862-F07

Item No.

Travelers Rest, SC: 800-476-4103 • Simi Valley, CA: 800-423-0150 • Fax: 864-834-3518 • www.tsbrass.com



This Space for Architect/Engineer Approval

Job Name _____ Date _____

Model Specified _____ Quantity _____

Customer/Wholesaler _____

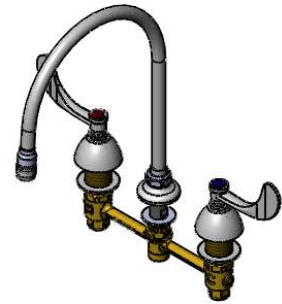
Contractor _____

Architect/Engineer _____

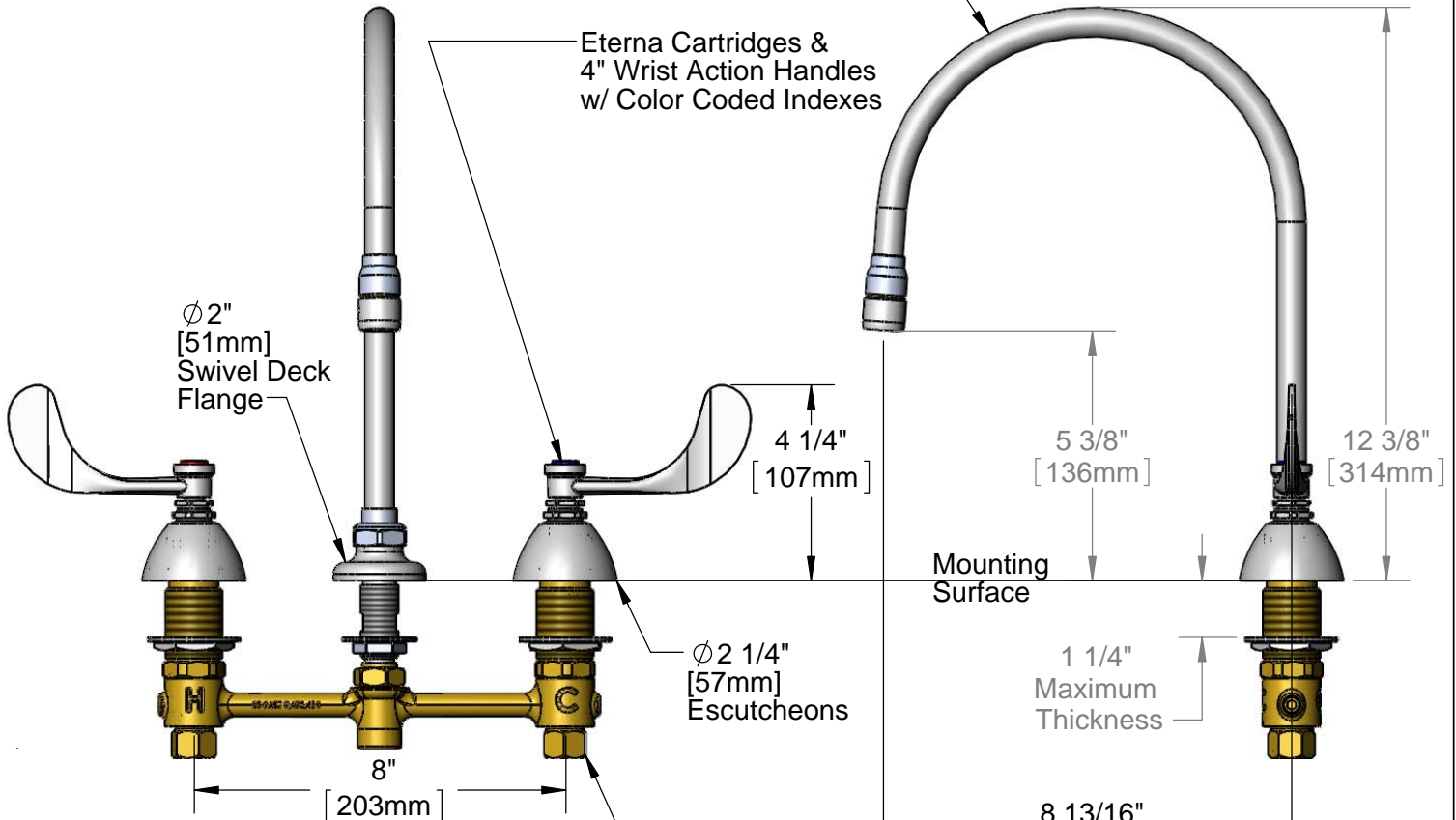


ADA Compliant

Swivel Gooseneck w/
B-0199-02F-07
Aerator w/ 0.7 GPM
Flow Control. Rigid
Conversion Requires
014200-45 Lock Washer
(Included)



Eterna Cartridges &
4" Wrist Action Handles
w/ Color Coded Indexes



Rough-In Requirement:
Center Shank: ϕ 1" [25mm] Mounting Hole
Hot/Cold Side: ϕ 1 1/2" [38mm] Mounting Holes

1/2" NPSM
Male Inlets
Coupling Nuts

Product Specifications:

8" Deck Mount EasyInstall Mixing Faucet, Eterna Cartridges, 4" Wrist Action Handles, Swivel Gooseneck, Aerator w/ 0.7 GPM Flow Control & 1/2" NPSM Male Inlets

Product Compliance:

ASME A112.18.1 / CSA B125.1
NSF 61 - Section 9
NSF 372 (Low Lead Content)
ANSI A117.1 (ADA)



T&S BRASS AND BRONZE WORKS, INC.

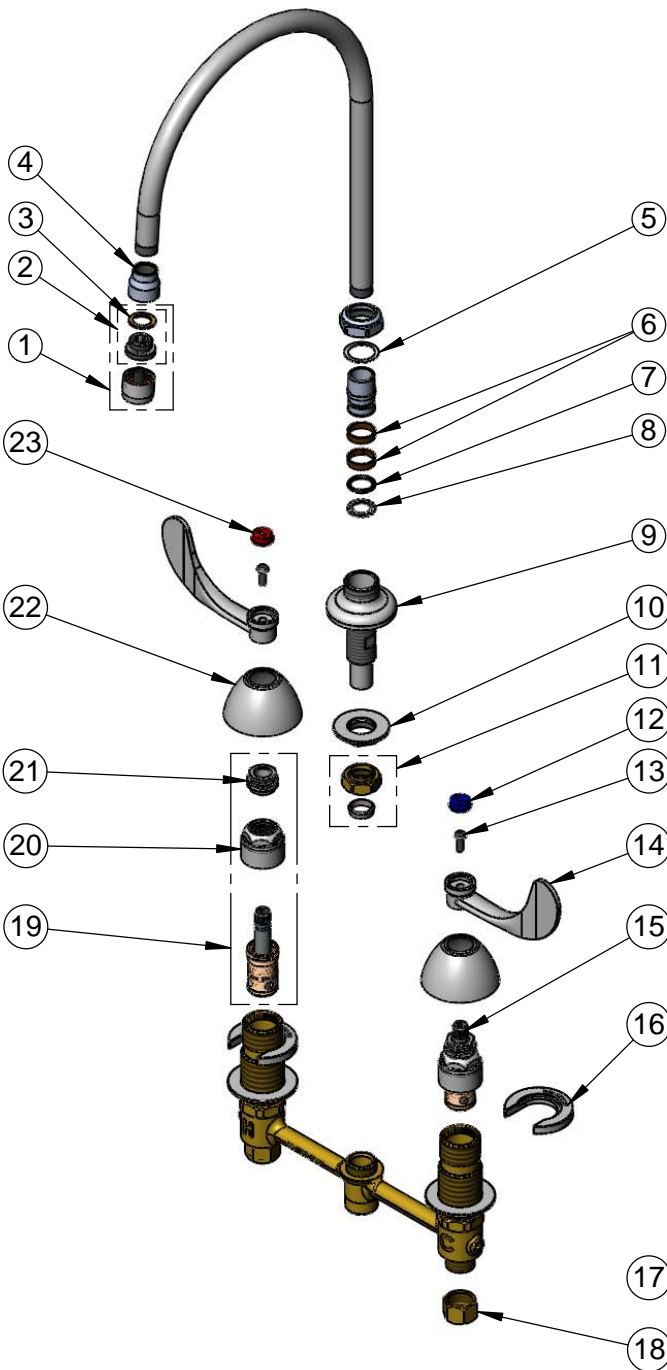
2 Saddleback Cove / P.O. Box 1088
Travelers Rest, SC 29690

Model No.

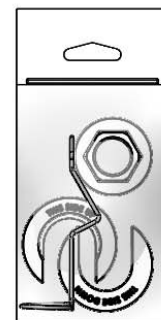
B-2862-F07

Item No.

Travelers Rest, SC: 800-476-4103 • Simi Valley, CA: 800-423-0150 • Fax: 864-834-3518 • www.tsbrass.com



ITEM NO.	SALES NO.	DESCRIPTION
1	B-0199-02F-07	Aerator w/ 0.7 GPM Flow Control, 3/8" NPSM Male
2	044A	3/8" to Aerator Adapter
3	001043-45	Washer
4	000557-25	Bell Adapter, 5/8-27 UN Female x 3/8" NPSM Female
5	009538-45	Swivel Washer
6	011429-45	Swivel Sleeves (2)
7	001074-45	O-Ring
8	014200-45	Star Washer, Anti-Rotation
9	016754-40	EasyInstall CWS Swivel Center Shank
10	016742-45	Center Flange Nut
11	016745-45	Compression Nut & Fitting
12	001686-45	Blue Index - CW
13	000925-45	Lab Handle Screw
14	B-WH4	4" Wrist Action Handle
15	016752-40	EasyInstall CWS LTC Eterna (Teflon)
16	016749-45	Sidebody C-Washer
17	016777-45	CWS Hanger
18	000958-20	Coupling Nut
19	016753-40	EasyInstall CWS RTC Eterna (Teflon)
20	016743-25	CWS Eterna Bonnet
21	009002-25	Packing Nut
22	001257-40	Bell Escutcheon
23	001194-45	Red Index - HW



017245-40
Installation Repair Kit
Includes #10, (2)#16, & #17

Product Specifications:

8" Deck Mount EasyInstall Mixing Faucet, Eterna Cartridges, 4" Wrist Action Handles, Swivel Gooseneck, Aerator w/ 0.7 GPM Flow Control & 1/2" NPSM Male Inlets

Product Compliance:

ASME A112.18.1 / CSA B125.1
NSF 61 - Section 9
NSF 372 (Low Lead Content)
ANSI A117.1 (ADA)