



T&S BRASS AND BRONZE WORKS, INC.

2 Saddleback Cove / P.O. Box 1088
Travelers Rest, SC 29690

Model No.

B-2862-08-LF16

Item No.

Travelers Rest, SC: 800-476-4103 • Simi Valley, CA: 800-423-0150 • Fax: 864-834-3518 • www.tsbrass.com



ADA Compliant

This Space for Architect/Engineer Approval

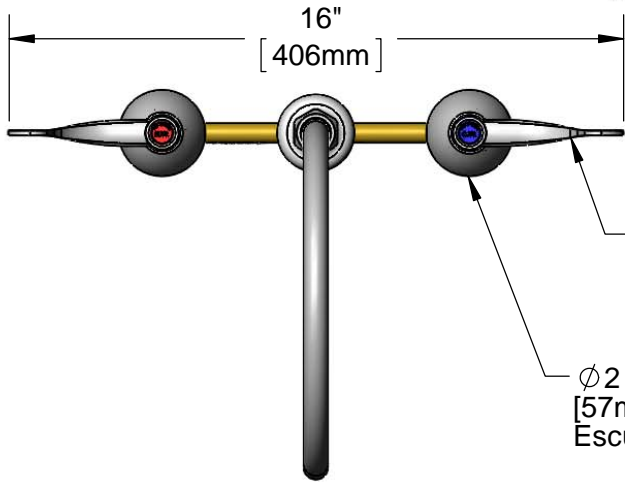
Job Name _____ Date _____

Model Specified _____ Quantity _____

Customer/Wholesaler _____

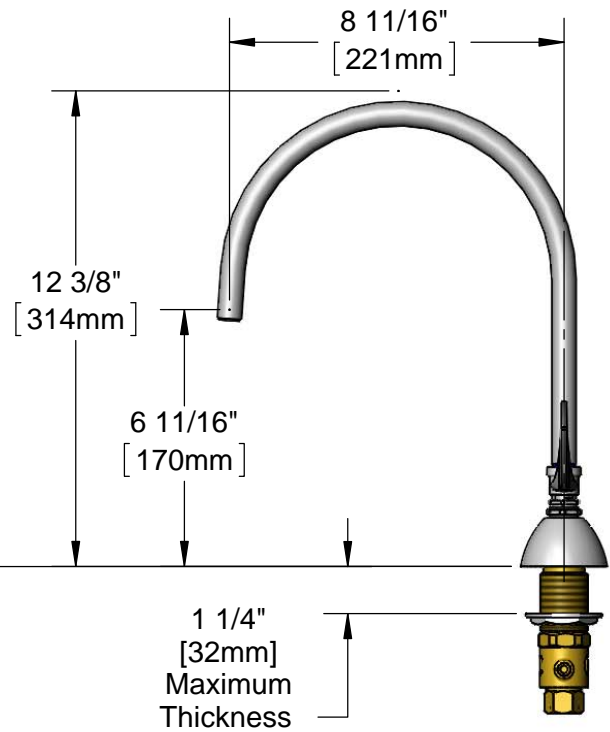
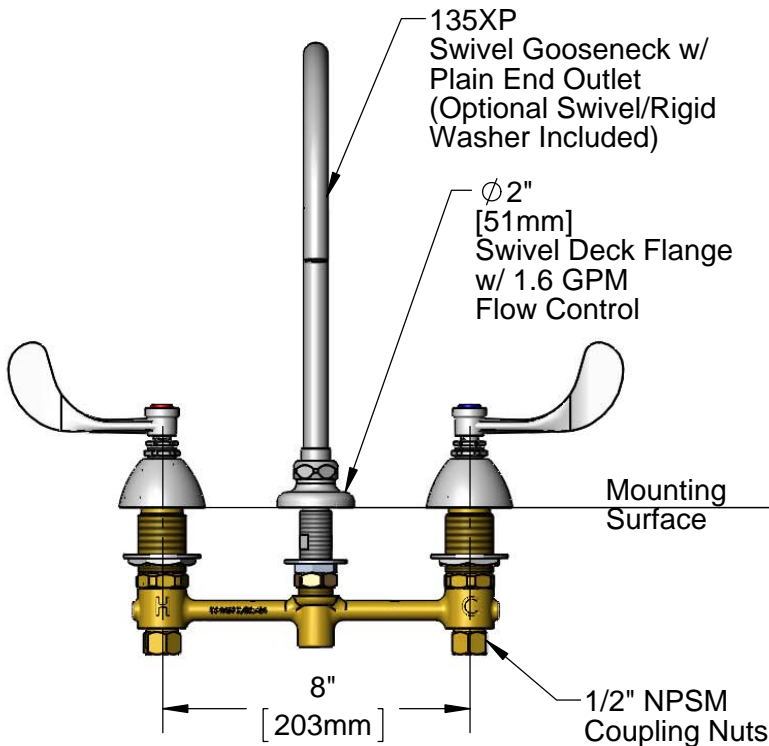
Contractor _____

Architect/Engineer _____



Quarter-Turn Eterna Cartridges w/ 4" Wrist Action Handles & Color Coded Indexes

Ø2 1/4" [57mm] Escutcheons



Rough-In Requirement:
Ø 1" [25mm] for Center Shank
Ø 1 1/2" [38mm] for Hot/Cold Side

Product Specifications:

EasyInstall 8" Concealed Widespread Faucet, 4" Wrist Action Handles, Quarter-Turn Eterna Cartridges, 1.6 GPM Flow Control, & Swivel Gooseneck w/ Plain End Outlet

Product Compliance:

ASME A112.18.1 / CSA B125.1
NSF 61 - Section 9
NSF 372 (Low Lead Content)
ANSI A117.1 (ADA)



T&S BRASS AND BRONZE WORKS, INC.

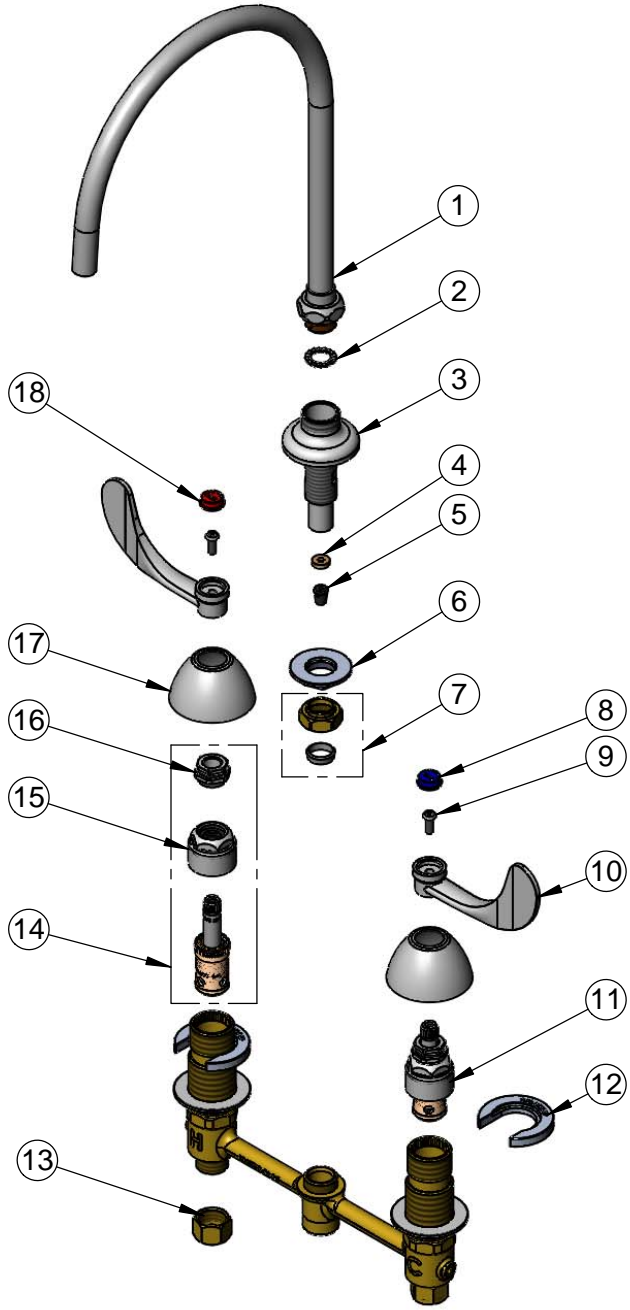
2 Saddleback Cove / P.O. Box 1088
Travelers Rest, SC 29690

Model No.

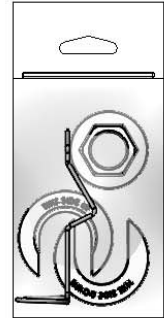
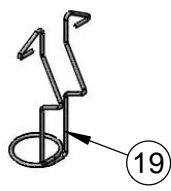
B-2862-08-LF16

Item No.

Travelers Rest, SC: 800-476-4103 • Simi Valley, CA: 800-423-0150 • Fax: 864-834-3518 • www.tsbrass.com



ITEM NO.	SALES NO.	DESCRIPTION
1	135XP	Plain End Gooseneck
2	014200-45	Star Washer, Anti-Rotation
3	016754-40	EasyInstall CWS Swivel Center Shank
4	009069-45	Flow Control Holder
5	016232-45	Flow Tower, 1.6 GPM
6	016742-45	Center Flange Nut
7	016745-45	Compression Nut & Fitting
8	001686-45	Blue Index - CW
9	000925-45	Lab Handle Screw
10	B-WH4	4" Wrist Action Handle
11	016925-40	EasyInstall CWS Quarter-Turn LTC Eterna (Teflon)
12	016749-45	Sidebody C-Washer
13	000958-20	Coupling Nut
14	016926-40	EasyInstall CWS Quarter-Turn RTC Eterna (Teflon)
15	016743-25	CWS Bonnet Assembly
16	009002-25	Packing Nut Assembly
17	001257-40	Bell Escutcheon
18	001194-45	Red Index - HW
19	016777-25	CWS Hanger



017245-40
Installation Repair Kit
Includes #6, (2)#12, #19

Product Specifications:
EasyInstall 8" Concealed Widespread Faucet, 4" Wrist Action Handles, Quarter-Turn Eterna Cartridges, 1.6 GPM Flow Control, & Swivel Gooseneck w/ Plain End Outlet

Product Compliance:
ASME A112.18.1 / CSA B125.1
NSF 61 - Section 9
NSF 372 (Low Lead Content)
ANSI A117.1 (ADA)