



T&S BRASS AND BRONZE WORKS, INC.

2 Saddleback Cove / P.O. Box 1088
Travelers Rest, SC 29690

Model No.

B-2858

Item No.

Travelers Rest, SC: 800-476-4103 • Simi Valley, CA: 800-423-0150 • Fax: 864-834-3518 • www.tsbrass.com

This Space for Architect/Engineer Approval

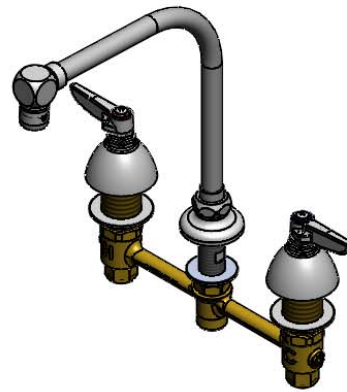
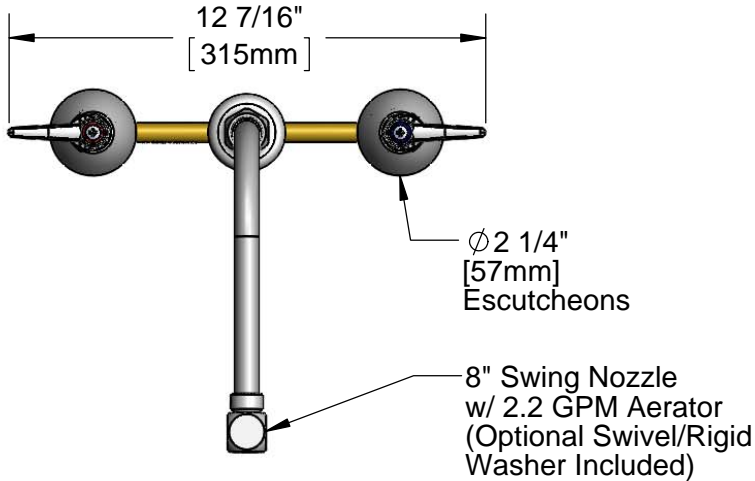
Job Name _____ Date _____

Model Specified _____ Quantity _____

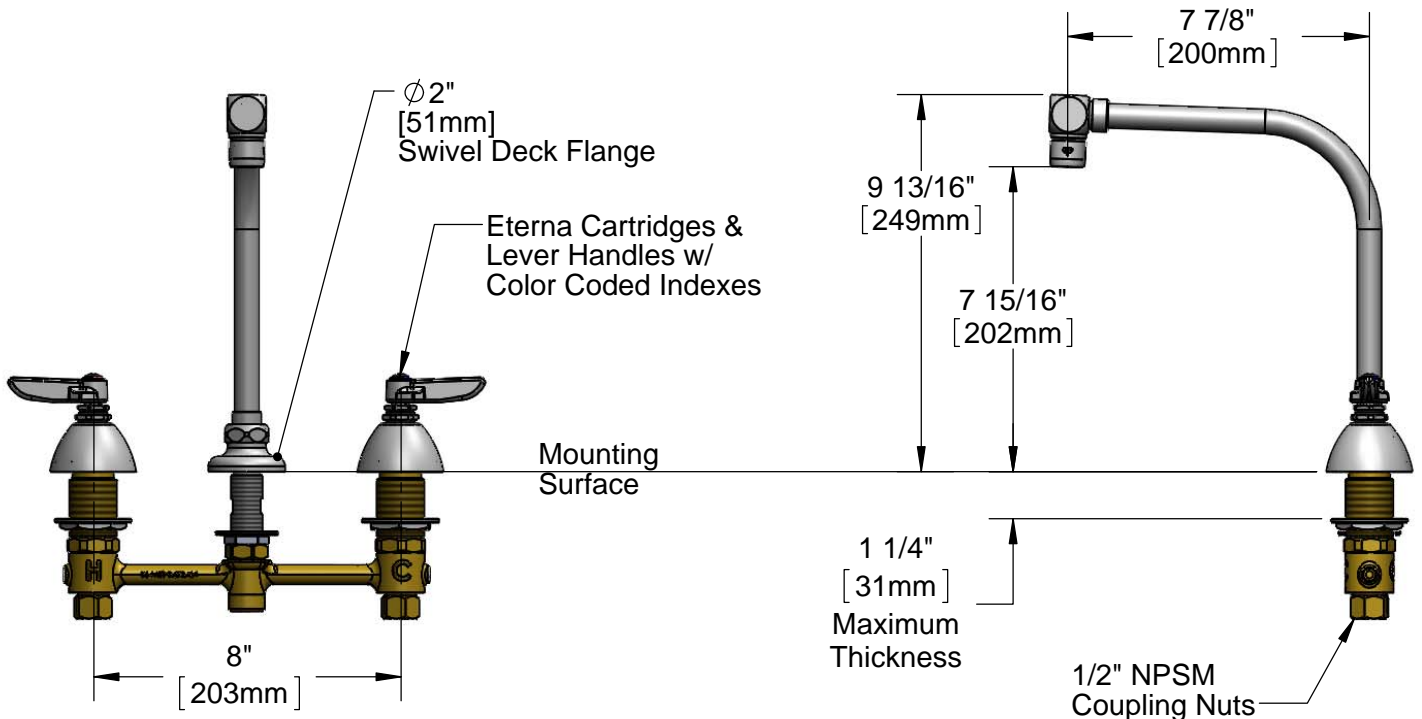
Customer/Wholesaler _____

Contractor _____

Architect/Engineer _____



ADA Compliant



Rough-In Requirement:

Ø 1" [25mm] for Center Shank

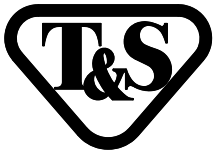
Ø 1 1/2" [38mm] for Hot/Cold Side

Product Specifications:

8" Concealed Widespread EasyInstall Mixing Faucet, Lever Handles, Eterna Cartridges, 9" Swing Nozzle w/ 2.2 GPM Aerator and 1/2" NPSM Male Inlets

Product Compliance:

ASME A112.18.1 / CSA B125.1
NSF 61 - Section 9
NSF 372 (Low Lead Content)
ANSI A117.1 (ADA)

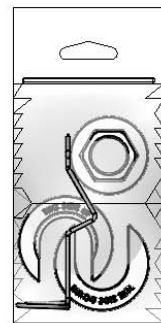
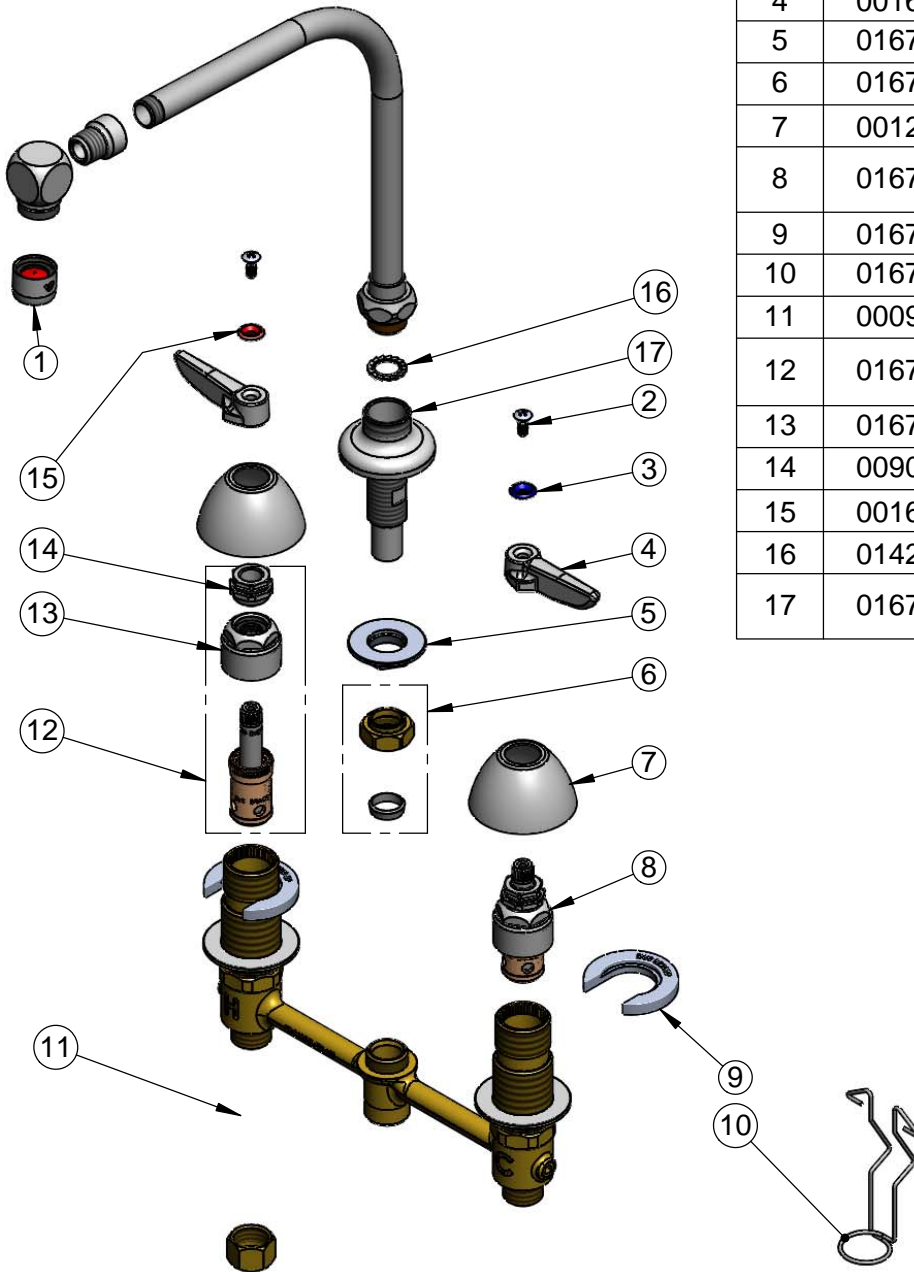


T&S BRASS AND BRONZE WORKS, INC.
 2 Saddleback Cove / P.O. Box 1088
 Travelers Rest, SC 29690

Model No.
B-2858
 Item No.

Travelers Rest, SC: 800-476-4103 • Simi Valley, CA: 800-423-0150 • Fax: 864-834-3518 • www.tsbrass.com

ITEM NO.	SALES NO.	DESCRIPTION
1	B-0199-01	2.2 GPM Aerator
2	000922-45	Lever Handle Screw
3	001660-45	Blue Index-CW
4	001638-45	Lever Handle
5	016742-45	Center Flange Nut
6	016745-45	Compression Nut & Fitting
7	001257-40	Bell Escutcheon
8	016752-40	CWS EasyInstall LTC Eterna (Teflon)
9	016749-45	C-Washer
10	016777-45	CWS Hanger
11	000958-20	Coupling Nut
12	016753-40	CWS EasyInstall RTC Eterna (Teflon)
13	016743-25	CWS Bonnet Assembly
14	009002-25	Packing Nut Assembly
15	001661-45	Red Index-HW
16	014200-45	Star Washer, Anti-Rotation
17	016754-40	EasyInstall CWS Swivel Center Shank



017245-40
 Installation Repair Kit
 Includes #5, (2)#9, & #10

Product Specifications:
 8" Concealed Widespread EasyInstall Mixing Faucet, Lever Handles, Eterna Cartridges, 9" Swing Nozzle w/ 2.2 GPM Aerator and 1/2" NPSM Male Inlets

Product Compliance:
 ASME A112.18.1 / CSA B125.1
 NSF 61 - Section 9
 NSF 372 (Low Lead Content)
 ANSI A117.1 (ADA)